

**Kawasaki Robot
B Series**

**Installation and
Connection Manual**

Robot

Kawasaki Heavy Industries, Ltd.

Preface

This manual describes installation and connection procedures for **Kawasaki Robot B Series**.

Read and understand the contents of this manual and "Safety Manual" thoroughly and strictly observe all rules for safety before proceeding with any operation. Kawasaki cannot take any responsibility for any accidents and/or damages caused by operations that are based on only the limited part of this manual.

This manual describes only the installation and connection of the robot arm. Please refer to the following manual for installation and connection of Controller and for Arc-welding Robots.

“Installation and Connection Manual” for controller

“Installation and Connection Manual” for arc welding

This manual is applicable to the following robot arms.

BX100S, BX100N, BX100L, BX130X, BX165N, BX165L, BX200L
BX200X, BX250L, BX300L, BT165L, BT200L


-
1. This manual does not constitute a guarantee of the systems in which the robot is utilized. Accordingly, Kawasaki is not responsible for any accidents, damages, and/or problems relating to industrial property rights as a result of using the system.
 2. It is recommended that all personnel assigned for activation of operation, teaching, maintenance or inspection of the robot attend the necessary education/training course(s) prepared by Kawasaki, before assuming their responsibilities.
 3. Kawasaki reserves the right to change, revise, or update this manual without prior notice.
 4. This manual may not, in whole or in part, be reprinted or copied without the prior written consent of Kawasaki.
 5. Store this manual with care and keep it available for use at any time. If the robot is reinstalled or moved to a different site or sold off to a different user, attach this manual to the robot without fail. In the event the manual is lost or damaged severely, contact Kawasaki.
-

Copyright © 2012 Kawasaki Heavy Industries Ltd. All rights reserved.

Symbols

The items that require special attention in this manual are designated with the following symbols.


Ensure proper and safe operation of the robot and prevent physical injury or property damages by complying with the safety matters given in the boxes with these symbols.

 **DANGER**

Failure to comply with indicated matters can result in imminent injury or death.

 **WARNING**


Failure to comply with indicated matters may possibly lead to injury or death.

 **CAUTION**

Failure to comply with indicated matters may lead to physical injury and/or mechanical damage.

[NOTE]

Denotes precautions regarding robot specification, handling, teaching, operation, and maintenance.

 **WARNING**

- 1. The accuracy and effectiveness of the diagrams, procedures, and detail explanations given in this manual cannot be confirmed with absolute certainty. Accordingly, it is necessary to give one's fullest attention when using this manual to perform any work. Should any unexplained questions or problems arise, please contact Kawasaki.**
- 2. Safety related contents described in this manual apply to each individual work and not to all robot work. In order to perform every work in safety, read and fully understand "Safety Manual", all pertinent laws, regulations and related materials as well as all the safety explanation described in each chapter, and prepare safety measures suitable for actual work.**

Table of Contents

Preface	i
Symbols	ii
1 Precautions.....	1
1.1 Precautions during Transportation, Installation and Storage.....	1
1.2 Installing Environment of Robot Arm	2
1.3 Residual Risks during Work	3
2 Work Flow at Arm Installation and Connection	13
3 Motion Range and Specifications of Robot.....	14
3.1 Determination of Safety Fence Installation Location	14
3.2 Motion Range and Specifications of Robot.....	15
3.3 Mechanical Stoppers.....	27
3.3.1 JT1 Stopper Block	28
4 Robot Transportation Method.....	32
4.1 Using Wire Sling.....	32
4.1.1 Using Hoisting Jig.....	32
4.1.2 Fastening Wire Sling Directly on the Arm	38
4.2 Forklift	48
5 Installation Dimensions of Base Section.....	53
6 Movement Reaction Acting on Installation Surface during Operation	56
7 Installation Method	57
7.1 When Installing the Base Directly on the Floor	57
7.2 When Installing the Robot Base Plate on the Floor	58
8 Mounting of Tools	59
8.1 Dimensions of Wrist End.....	59
8.2 When Passing Cable/Hose through Wrist Hollow Section.....	59
8.3 Specification of Mounting Bolt	60
8.4 Load Capacity	61
9 Mounting External Equipment	67
9.1 Service Tapped Hole Positions.....	67
9.2 Calculation of Load Caused by External Equipment.....	73

1 Precautions

1.1 Precautions during Transportation, Installation and Storage

When transporting the Kawasaki Robot to its installation site, strictly observe the following cautions.



WARNING

1. When the robot arm is to be transported by using a crane or forklift, never support the robot arm manually.
2. During transportation, never climb on the robot arm or stay under the hoisted robot arm.
3. Prior to installation, turn OFF the controller power switch and the external power switch for shutting down power supply to the controller. Display signs indicating clearly “Installation and connection in progress”, and lock out/tag out the external power switch to prevent accidents of electric shock etc. caused when someone accidentally turns ON the power.
4. Prior to moving robot, ensure safety by first confirming no abnormality is observed in installing condition, etc., and then turn ON motor power to set robot to the desired pose. Be careful not to be caught by/between any moving parts due to careless approach to robot and peripheral equipment. After setting robot to the specified pose, turn OFF the controller power and the external power switch again as mentioned above. Display signs indicating clearly “Installation and connection in progress”, and lock out/tag out the external power switch before starting installation and connection.



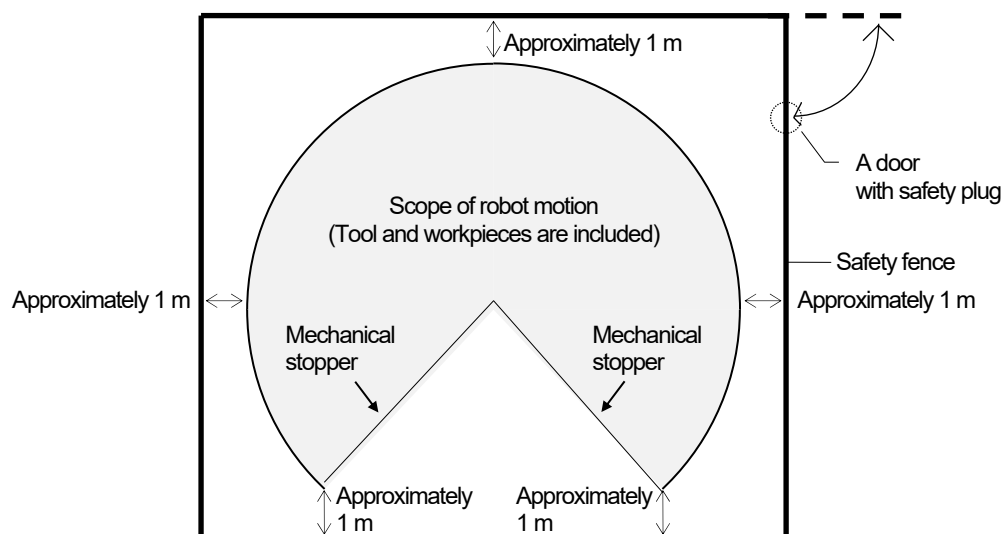
CAUTION

1. Since the robot arm is composed of precision parts, be careful not to apply excessive shocks or vibrations during transportation.
2. Prior to installation, remove all obstacles so the installation is carried out smoothly and safely. Clear a passage to the installation area for transportation of the robot arm using a crane or forklift.
3. During transportation and storage,
 - (1) Keep the ambient temperature within the range of -10 to 60°C,
 - (2) Keep the relative humidity within the range of 35 to 85% RH without dew condensation,
 - (3) Keep free from excessively strong vibration.
4. Oil may drip from the gas spring during the initial operation of the robot arm, but this does not impair the performance of the gas spring. Wipe off any oil and use the robot arm.

1.2 Installing Environment of Robot Arm

The robot arm must be installed in a place that satisfies all the following environmental conditions:

1. When robot is installed on the floor, the levelness must be within $\pm 5^\circ$.
2. Be sure that the installation floor/pedestal has sufficient rigidity.
3. Secure a flatness to prevent undue force applied to the installation section. (If sufficient flatness is unobtainable, insert liners and adjust the flatness.)
4. Keep the ambient temperature during operation within the range of 0 to 45°C. (Deviation or overload error may occur due to high viscosity of grease/oil when starting operation at low temperatures. In this case, move the robot at low speed before regular operation.)
5. Keep the relative humidity during operation within the range of 35 to 85%RH without dew condensation.
6. Altitude: up to 1,000 meters above mean sea level
7. The robot installing place should be free from dust, dirt, oil, smoke, water, and other foreign matters.
8. The robot installing place should be free from flammable or corrosive liquid or gas.
9. The robot installing place should be free from excessively strong vibration. (0.5 G or less)
10. The robot installing place should be free from electric noise interference.
11. The robot installing place should be sufficiently larger than the motion range of robot arm.
 - (1) Install safety fence so the maximum movement of fully equipped robot arm (with tools and workpieces) does not cause interference.
 - (2) Minimize the number of entrance gates (only one is best) and equip the entrance gate with a safety plug.
 - (3) Observe the requirements of ISO 10218, etc. established in each region for details of the safety fence.





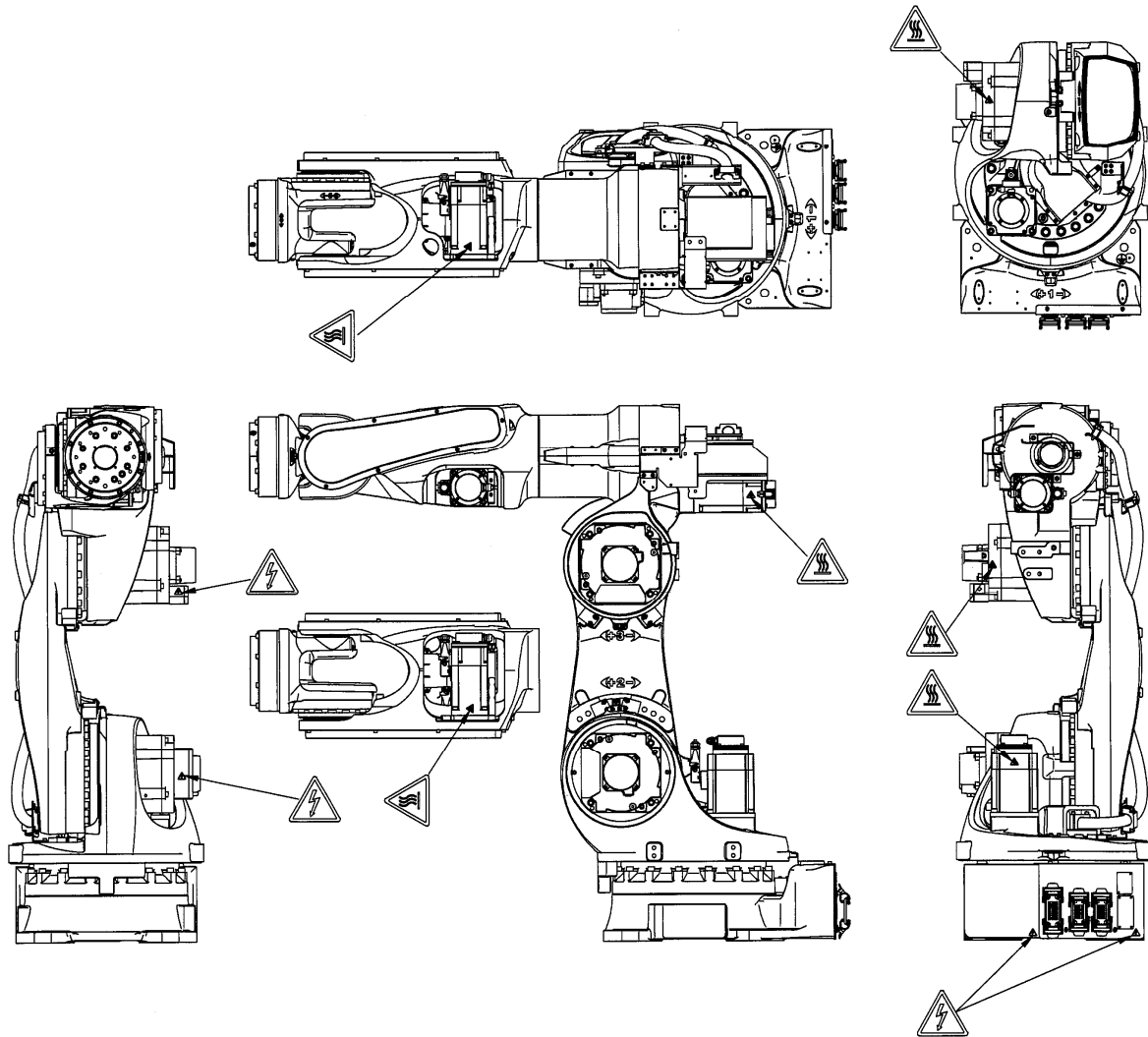
1.3 Residual Risks during Work

⚠ WARNING



Pay attention to the hazardous places listed in the drawings below.

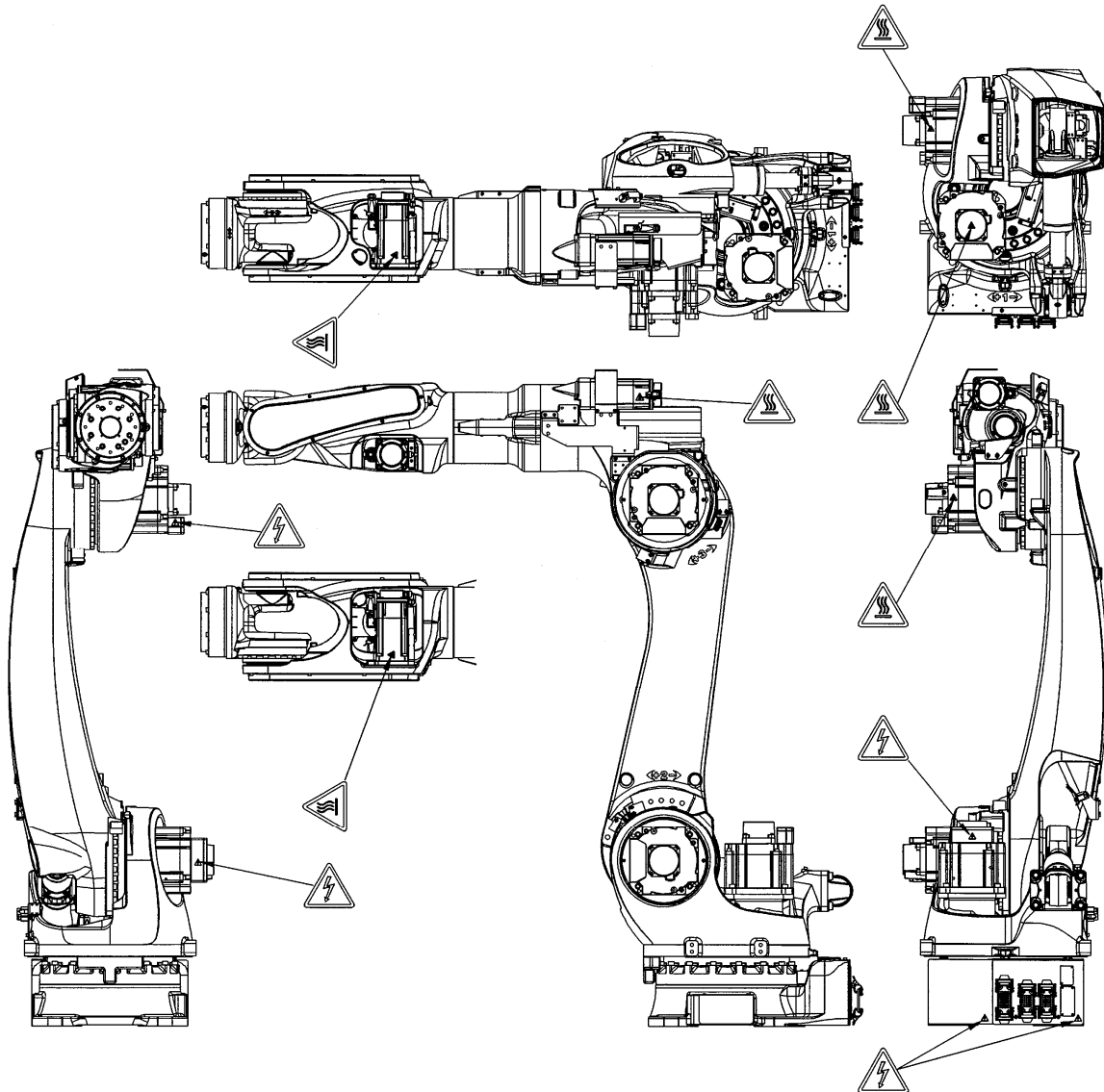
Hazardous places for high temperature and electric shock (BX100S, BX100N)

-  Hazardous place for high temperature
-  Hazardous place for electric shock

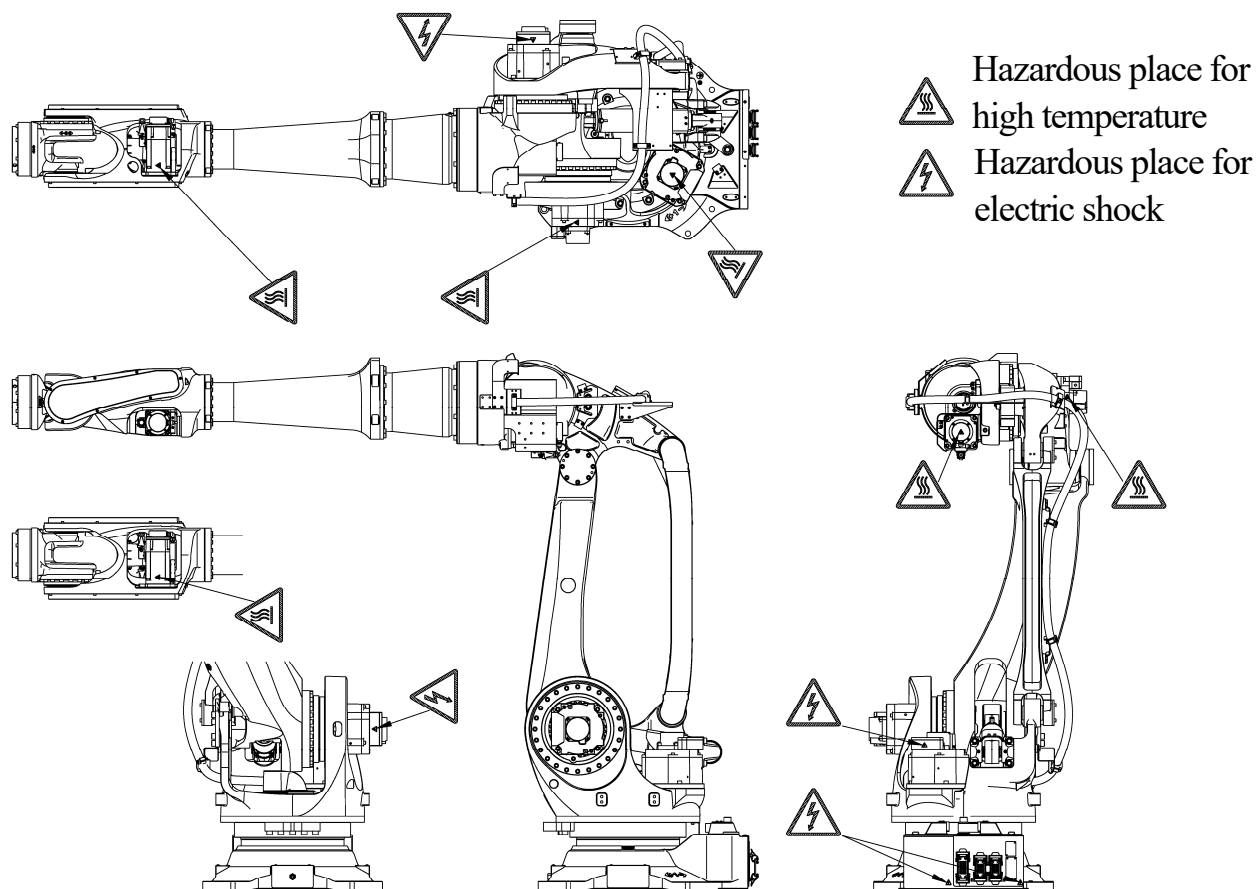


Hazardous places for high temperature and electric shock (BX100L, BX130X, BX165N, BX165L, BX200L)

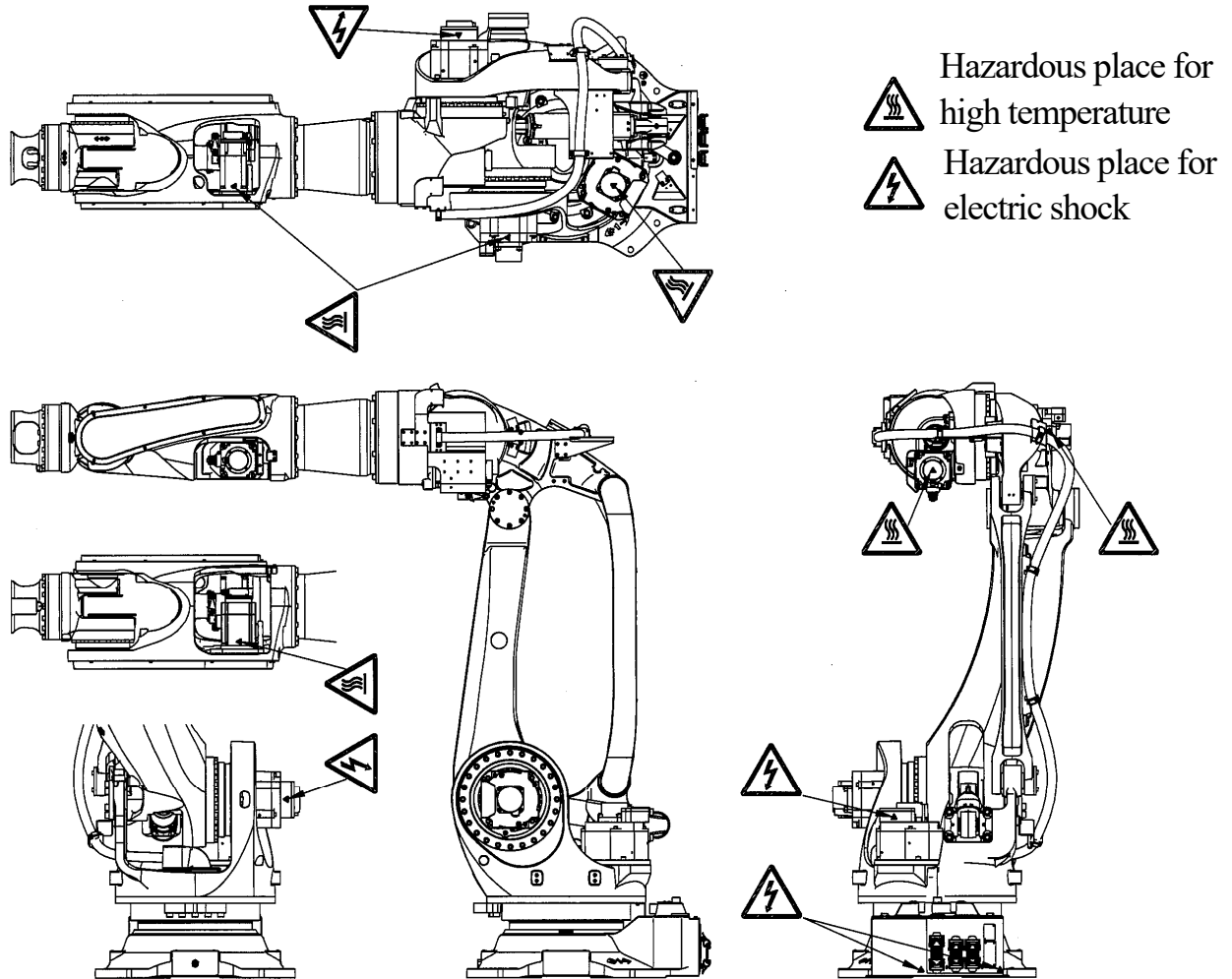
-  Hazardous place for high temperature
-  Hazardous place for electric shock




Hazardous places for high temperature and electric shock (BX200X)




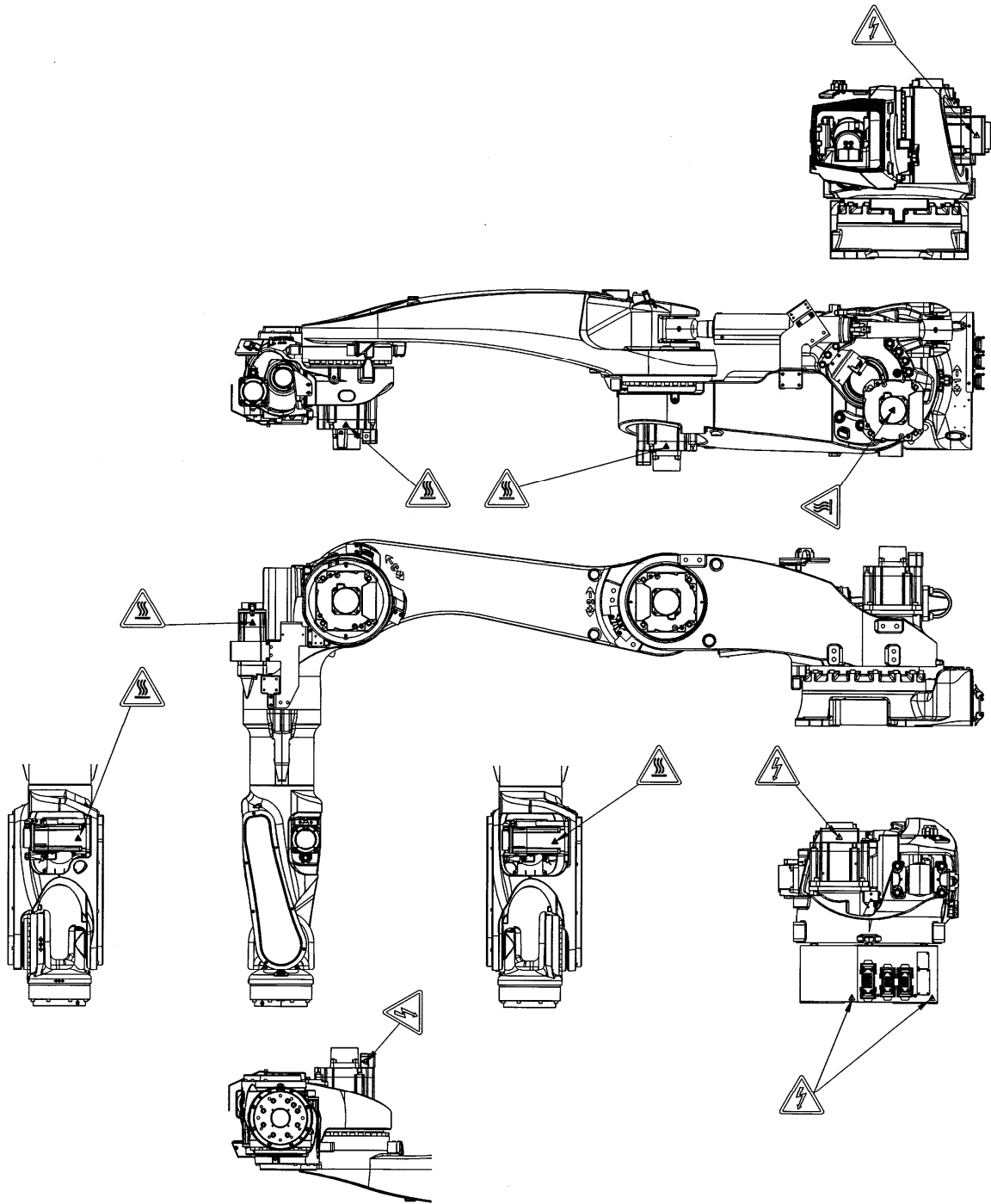
Hazardous places for high temperature and electric shock (BX250L, BX300L)



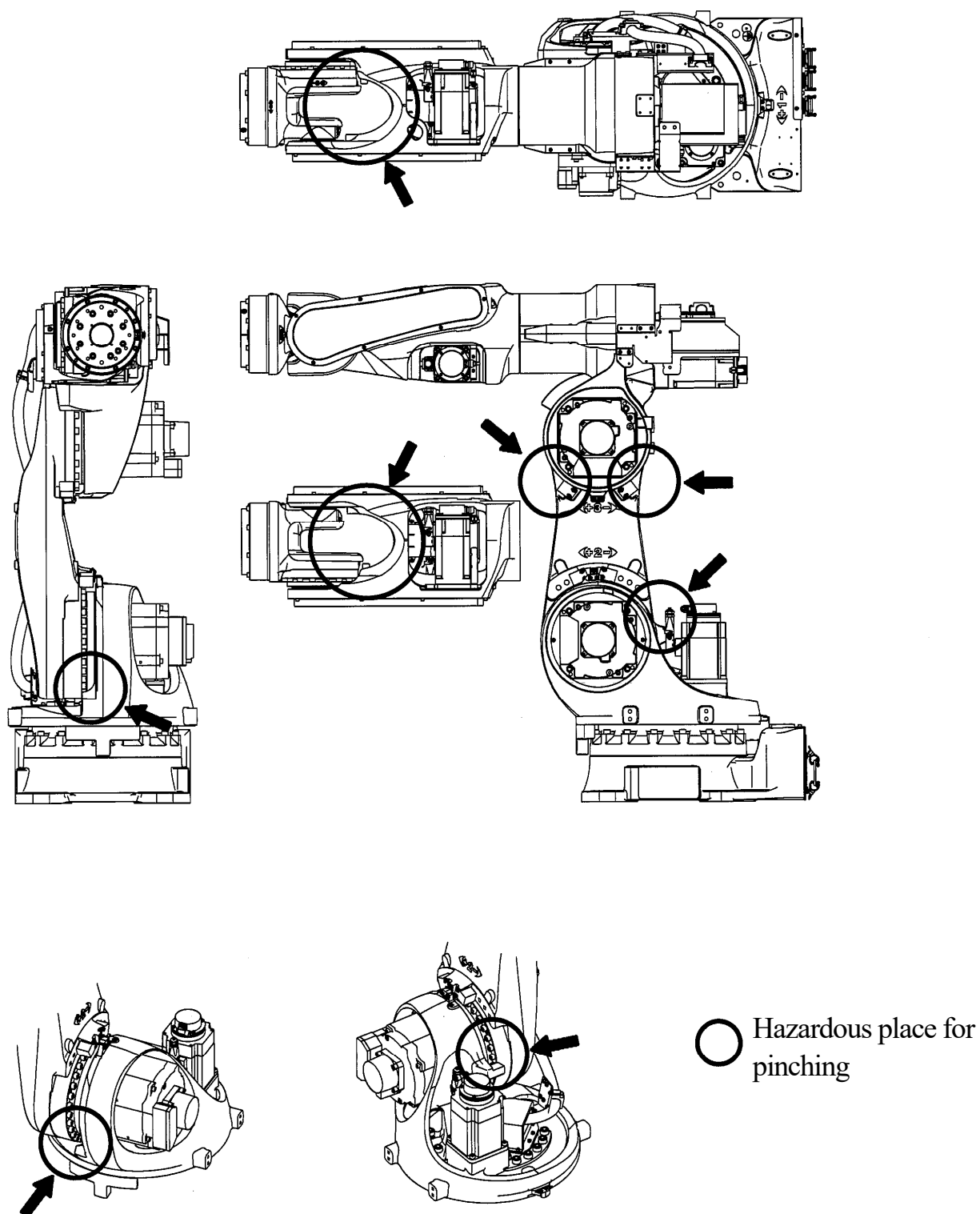
Hazardous places for high temperature and electric shock (BT165L, BT200L)

 Hazardous place for high temperature

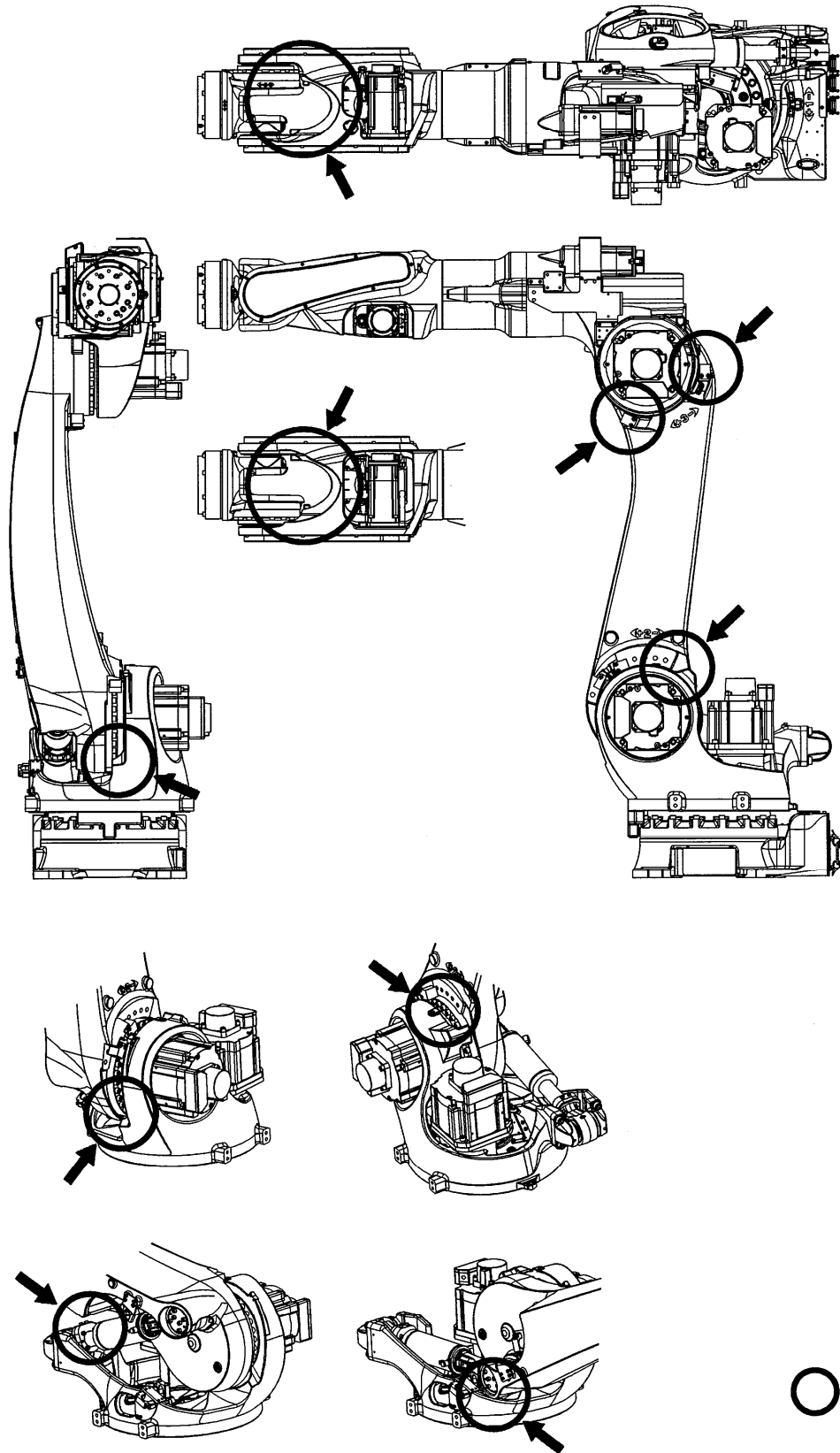
 Hazardous place for electric shock



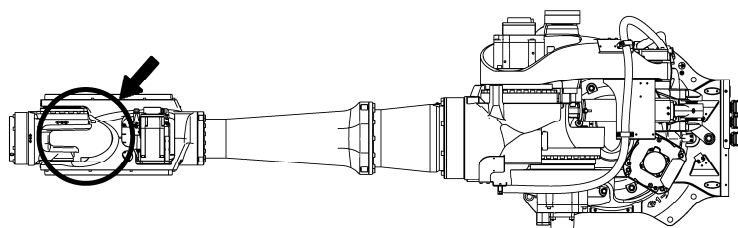
Hazardous places for pinching (BX100S, BX100N)



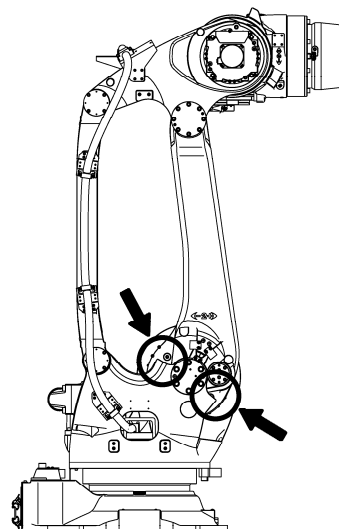
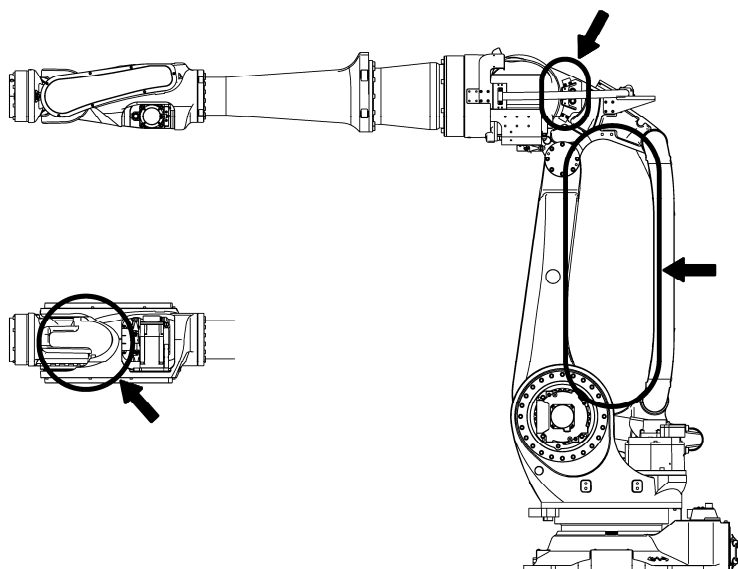
Hazardous places for pinching (BX100L, BX130X, BX165N, BX165L, BX200L)



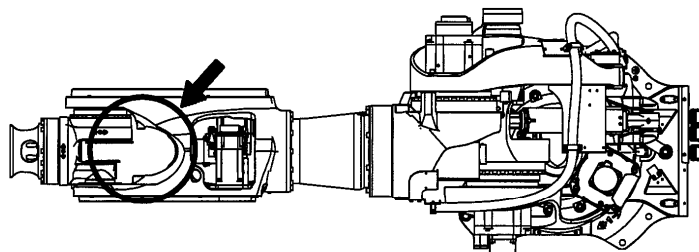
Hazardous places for pinching (BX200X)



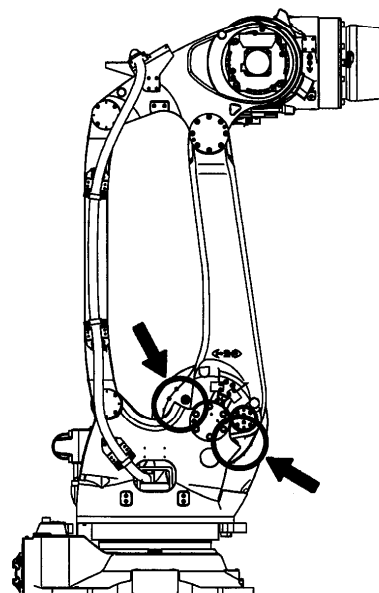
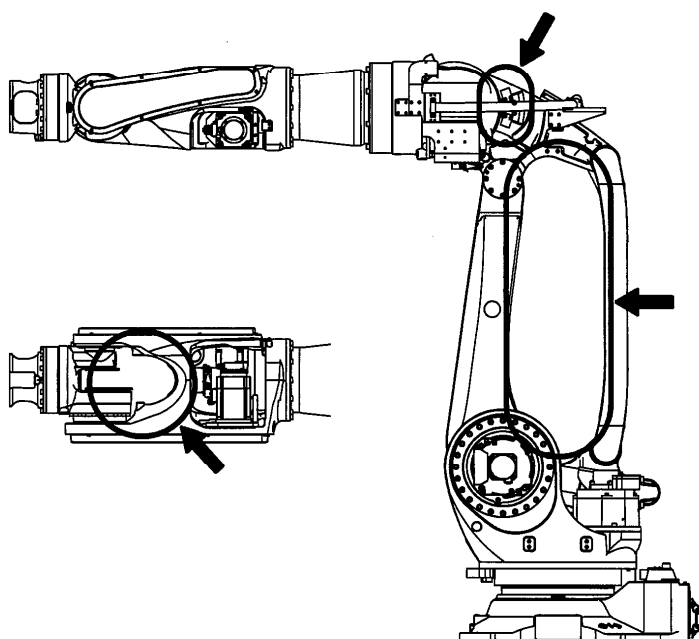
○ Hazardous place
for pinching



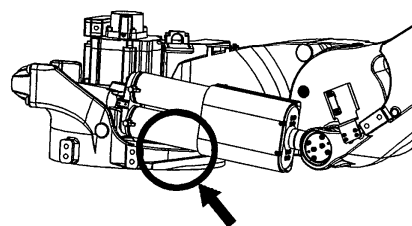
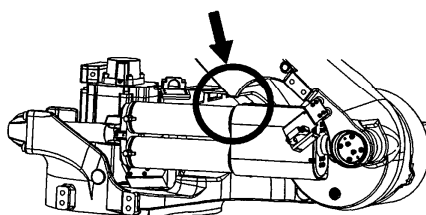
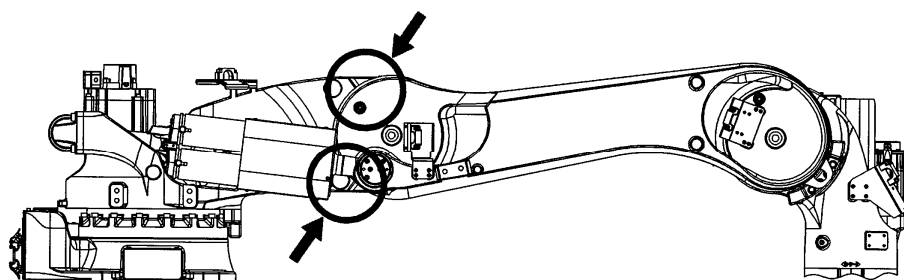
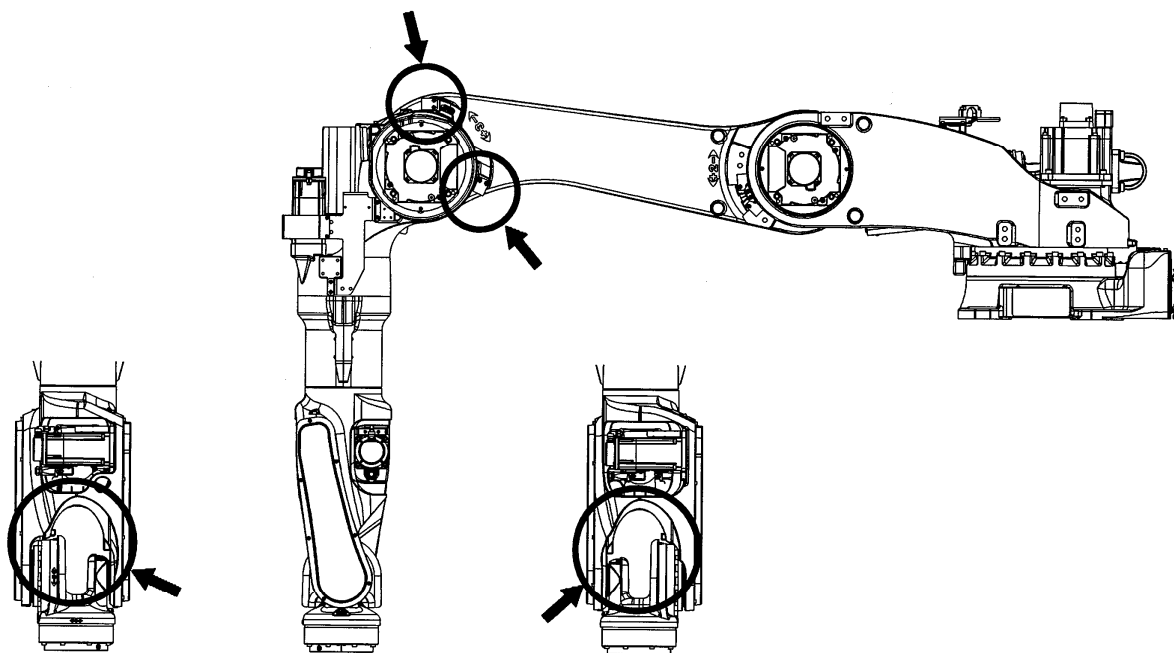
Hazardous places for pinching (BX250L, BX300L)



○ Hazardous place
for pinching



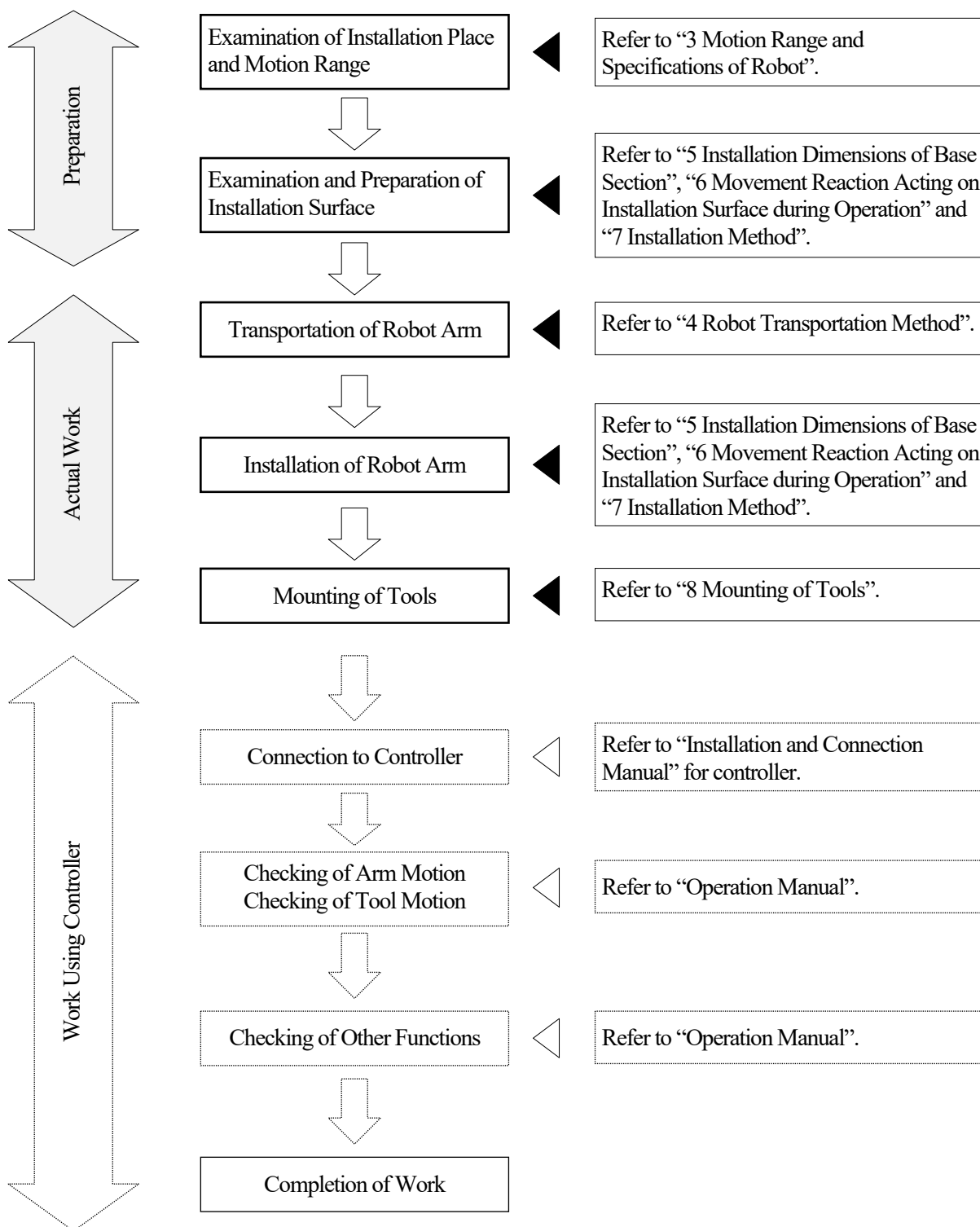
Hazardous places for pinching (BT165L, BT200L)



○ Hazardous place for pinching

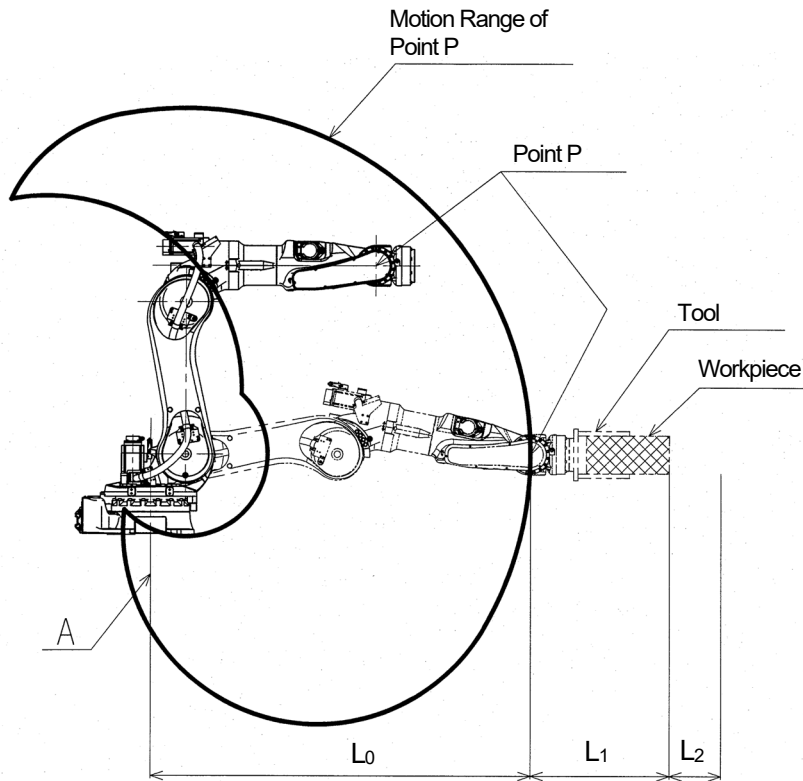
2 Work Flow at Arm Installation and Connection

This workflow describes only the robot arm section. For the controller, refer to “Installation and Connection Manual” for controller.

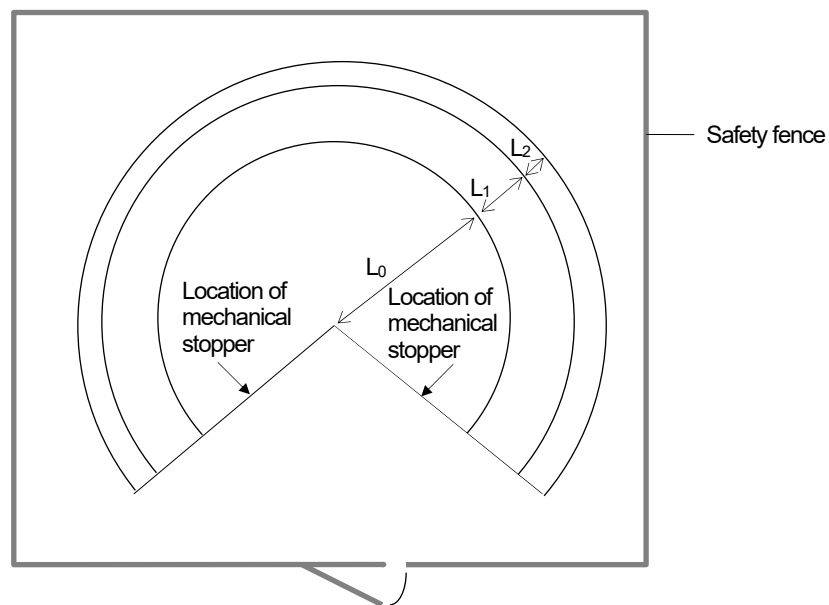


3 Motion Range and Specifications of Robot

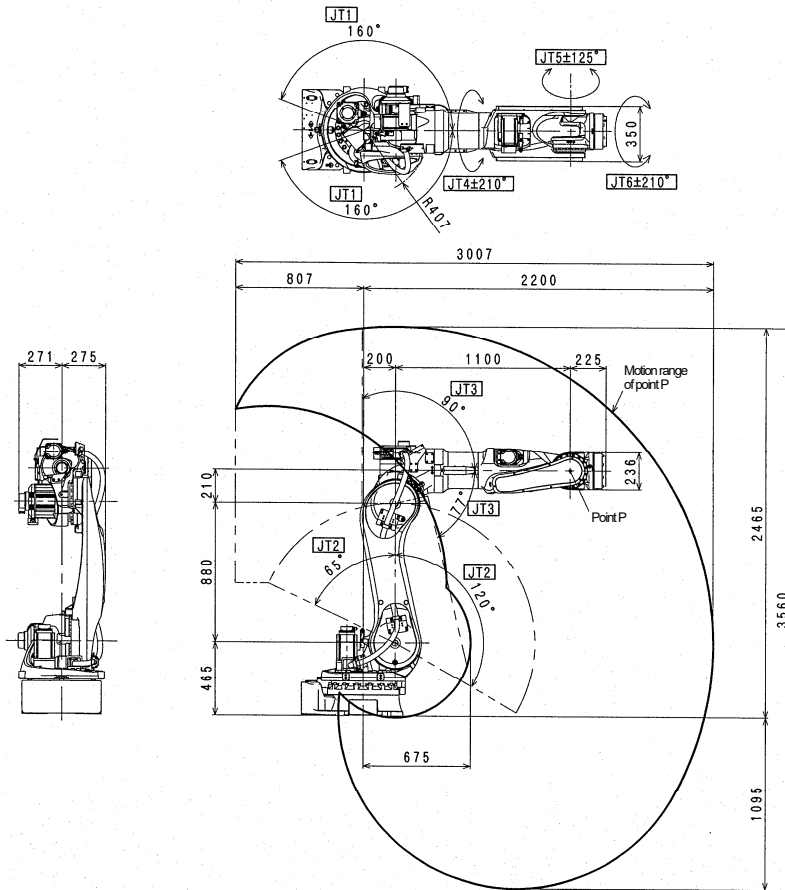
3.1 Determination of Safety Fence Installation Location



The motion range of the robot is represented by the maximum area that can be covered by point P in the figure above. Therefore, as shown in the figure below, install the safety fence outside circle whose radius is $L_0+L_1+L_2$. Where; L_0 is the length from the center line of arm (point A shown above) to the farthest point of P, L_1 is the length from point P to the farthest point of wrist flange, tool and workpiece, and L_2 is safety margin. For the length of L_0 , refer to the drawings in the section 3.2.



BX100N



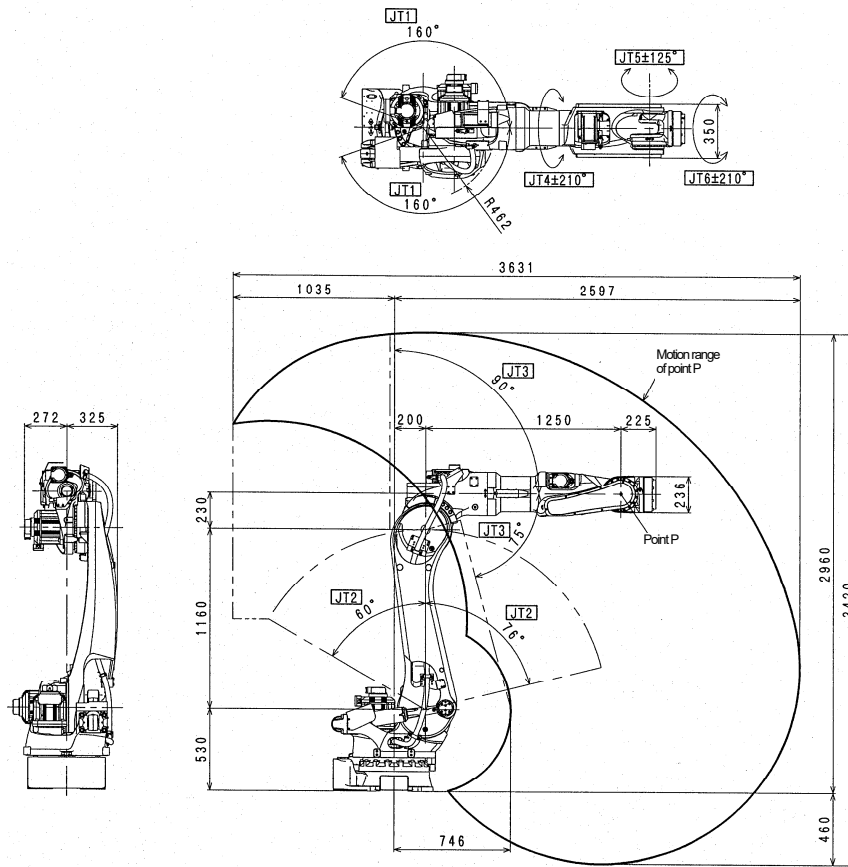
Type	Vertical Articulated Robot		
Degree of Freedom	6		
Motion Range and Maximum Speed	JT	Motion Range	Max. Speed
	1	±160°	135 °/s
	2	+120° to -65°	110 °/s
	3	+90° to -77°	140 °/s
	4	±210°	200 °/s
	5	±125°	200 °/s
6	±210°	300 °/s	
Max. Payload	100 kg		
Wrist Load Capacity	JT	Torque	Moment of Inertia
	4	588.4 N·m	60 kg·m ²
	5	588.4 N·m	60 kg·m ²
6	294.2 N·m	30 kg·m ²	
Repeatability	±0.06 mm		
Mass	740 kg		
Acoustic Noise	< 80 dB (A)*		

*measured condition

- installed on the plate rigidly fixed on the floor
- 4200 mm away from JT1 center

The noise level depends on the conditions.

BX100L



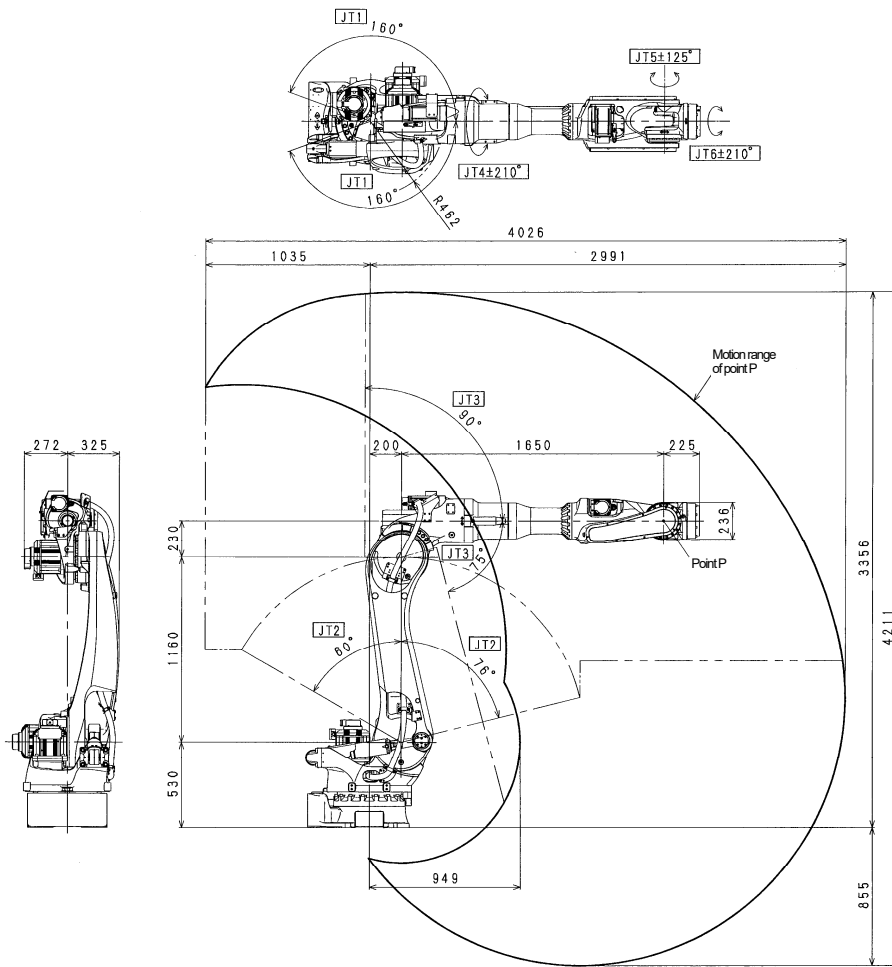
Type	Vertical Articulated Robot		
Degree of Freedom	6		
Motion Range and Maximum Speed	JT	Motion Range	Max. Speed
	1	±160°	105 °/s
	2	+76° to -60°	130 °/s
	3	+90° to -75°	130 °/s
	4	±210°	200 °/s
	5	±125°	160 °/s
Max. Payload	100 kg		
Wrist Load Capacity	JT	Torque	Moment of Inertia
	4	830 N·m	85 kg·m ²
	5	830 N·m	85 kg·m ²
	6	441 N·m	45 kg·m ²
Repeatability	±0.06 mm		
Mass	930 kg		
Acoustic Noise	< 80 dB (A)*		

*measured condition

- installed on the plate rigidly fixed on the floor
- 4600 mm away from JT1 center

The noise level depends on the conditions.

BX130X



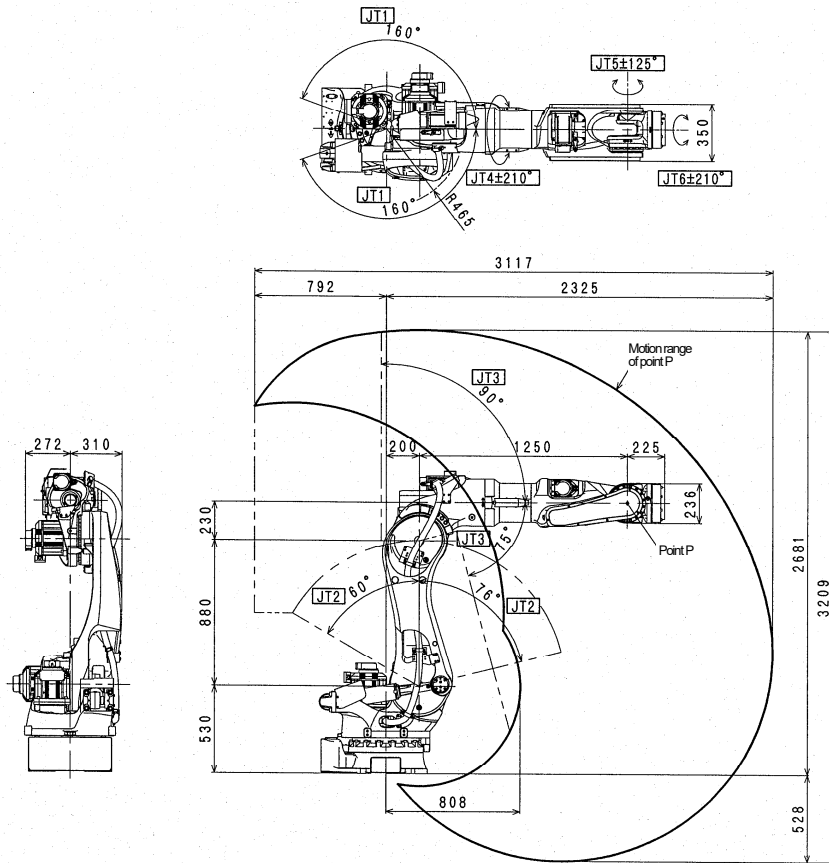
Type	Vertical Articulated Robot		
Degree of Freedom	6		
Motion Range and Maximum Speed	JT	Motion Range	Max. Speed
	1	±160°	105 °/s
	2	+76° to -60°	90 °/s
	3	+90° to -75°	130 °/s
	4	±210°	200 °/s
	5	±125°	160 °/s
6	±210°	300 °/s	
Max. Payload	130 kg		
Wrist Load Capacity	JT	Torque	Moment of Inertia
	4	830 N·m	85 kg·m ²
	5	830 N·m	85 kg·m ²
6	441 N·m	45 kg·m ²	
Repeatability	±0.06 mm		
Mass	970 kg		
Acoustic Noise	< 80 dB (A)*		

*measured condition

- installed on the plate rigidly fixed on the floor
- 5000 mm away from JT1 center

The noise level depends on the conditions.

BX165N



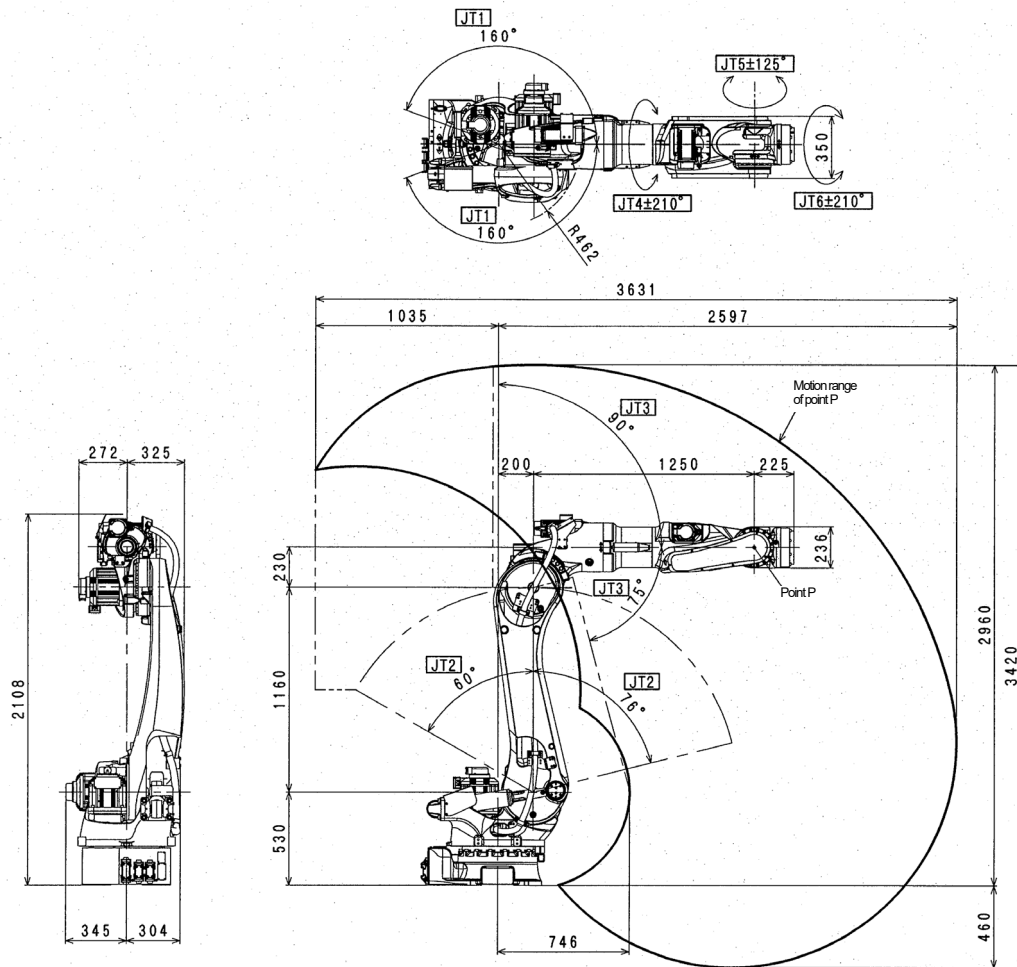
Type	Vertical Articulated Robot		
Degree of Freedom	6		
Motion Range and Maximum Speed	JT	Motion Range	Max. Speed
	1	±160°	105 °/s
	2	+76° to -60°	130 °/s
	3	+90° to -75°	130 °/s
	4	±210°	120 °/s
	5	±125°	160 °/s
6	±210°	300 °/s	
Max. Payload	165 kg		
Wrist Load Capacity	JT	Torque	Moment of Inertia
	4	930 N·m	99 kg·m ²
	5	930 N·m	99 kg·m ²
6	490 N·m	49.5 kg·m ²	
Repeatability	±0.06 mm		
Mass	903 kg		
Acoustic Noise	< 80 dB (A)*		

*measured condition

- installed on the plate rigidly fixed on the floor
- 4300 mm away from JT1 center

The noise level depends on the conditions.

BX165L

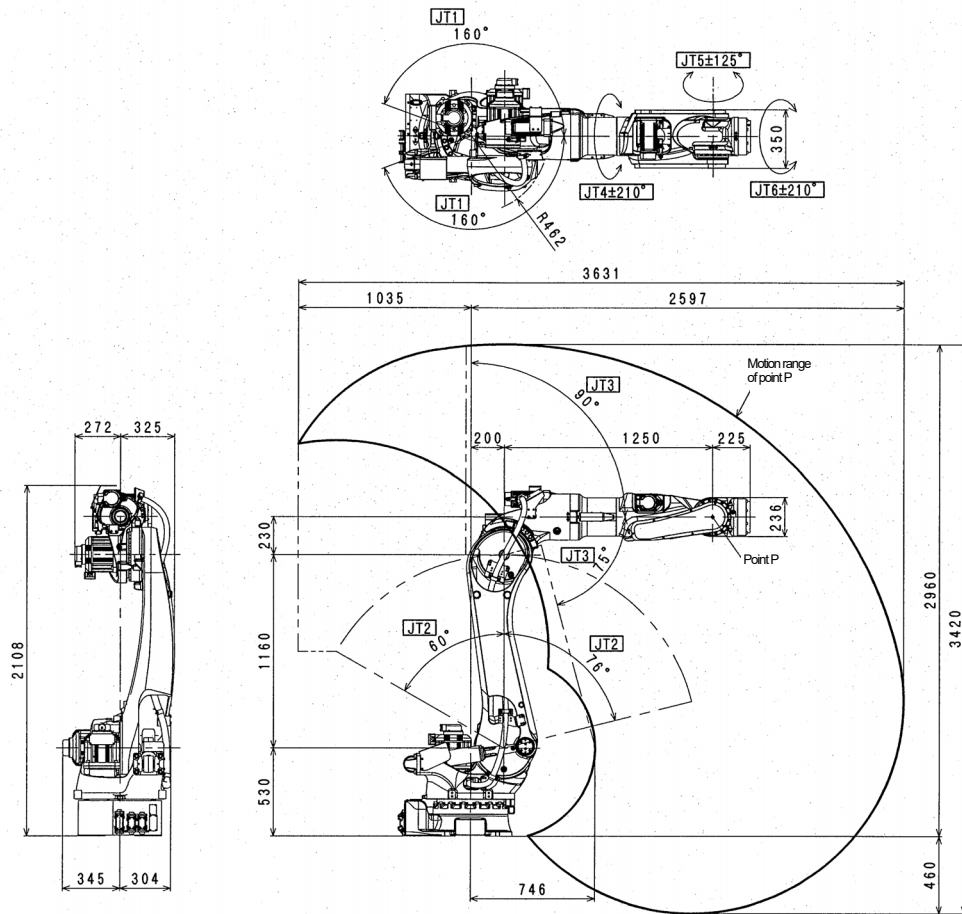


Type	Vertical Articulated Robot		
Degree of Freedom	6		
Motion Range and Maximum Speed	JT	Motion Range	Max. Speed
	1	±160°	120 °/s
	2	+76° to -60°	110 °/s
	3	+90° to -75°	130 °/s
	4	±210°	170 °/s
	5	±125°	170 °/s
6	±210°	280 °/s	
Max. Payload	165 kg		
Wrist Load Capacity	JT	Torque	Moment of Inertia
	4	952 N·m	99 kg·m ²
	5	952 N·m	99 kg·m ²
6	491 N·m	49.5 kg·m ²	
Repeatability	±0.06 mm		
Mass	930 kg		
Acoustic Noise	< 80 dB (A)*		

*measured condition
 • installed on the plate rigidly fixed on the floor
 • 4600 mm away from JT1 center

The noise level depends on the conditions.

BX200L



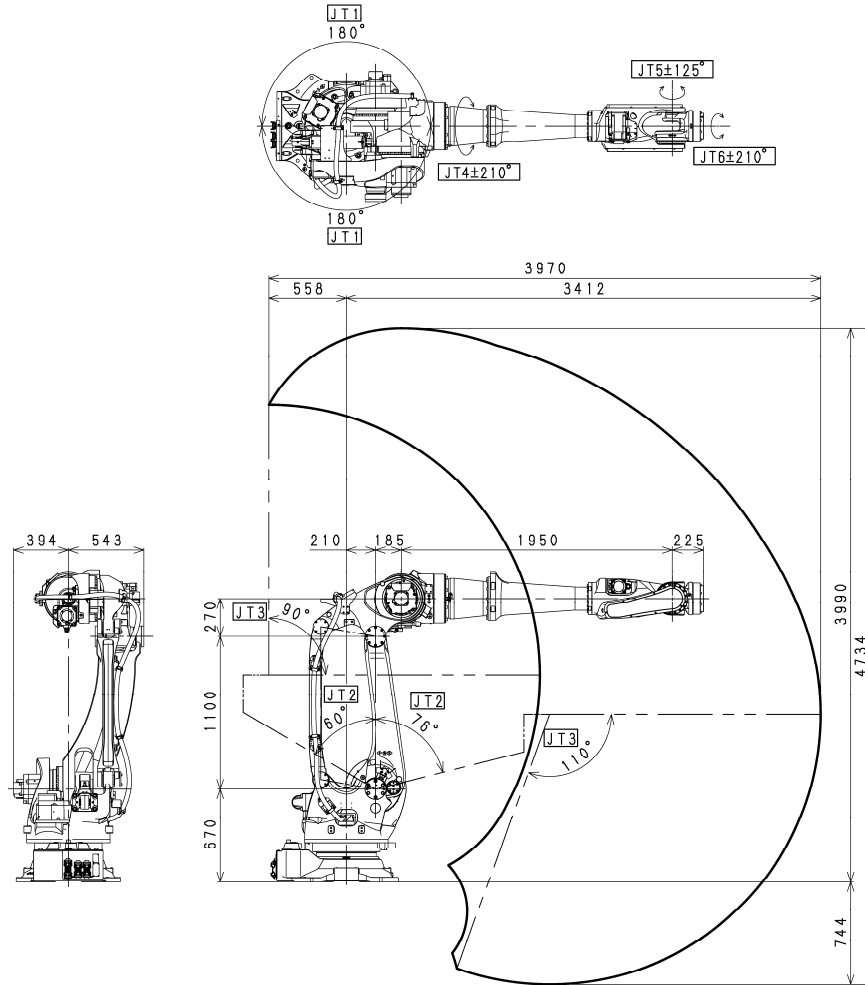
Type	Vertical Articulated Robot		
Degree of Freedom	6		
Motion Range and Maximum Speed	JT	Motion Range	Max. Speed
	1	±160°	105 °/s
	2	+76° to -60°	90 °/s
	3	+90° to -75°	100 °/s
	4	±210°	120 °/s
	5	±125°	120 °/s
6	±210°	200 °/s	
Max. Payload	200 kg		
Wrist Load Capacity	JT	Torque	Moment of Inertia
	4	1334.0 N·m	199.8 kg·m ²
	5	1334.0 N·m	199.8 kg·m ²
6	588.0 N·m	154.9 kg·m ²	
Repeatability	±0.06 mm		
Mass	930 kg		
Acoustic Noise	< 80 dB (A)*		

*measured condition

- installed on the plate rigidly fixed on the floor
- 4600 mm away from JT1 center

The noise level depends on the conditions.

BX200X

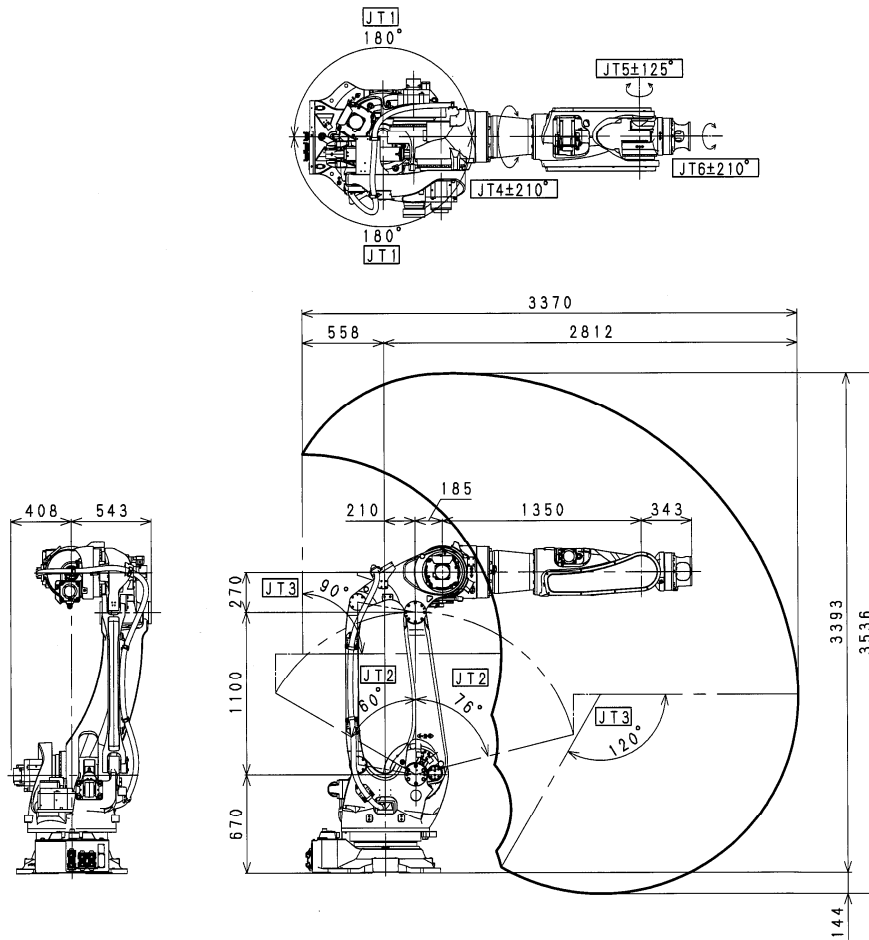


Type	Vertical Articulated Robot		
Degree of Freedom	6		
Motion Range and Maximum Speed	JT	Motion Range	Max. Speed
	1	±180°	125 °/s
	2	+76° to -60°	102 °/s
	3	+90° to -110°	85 °/s
	4	±210°	105 °/s
	5	±125°	120 °/s
6	±210°	200 °/s	
Max. Payload	200 kg		
Wrist Load Capacity	JT	Torque	Moment of Inertia
	4	1334.0 N·m	199.8 kg·m ²
	5	1334.0 N·m	199.8 kg·m ²
6	588.0 N·m	154.9 kg·m ²	
Repeatability	±0.07 mm		
Mass	1450 kg		
Acoustic Noise	< 80 dB (A)*		

*measured condition
 • installed on the plate rigidly fixed on the floor
 • 4600 mm away from JT1 center

The noise level depends on the conditions.

BX250L



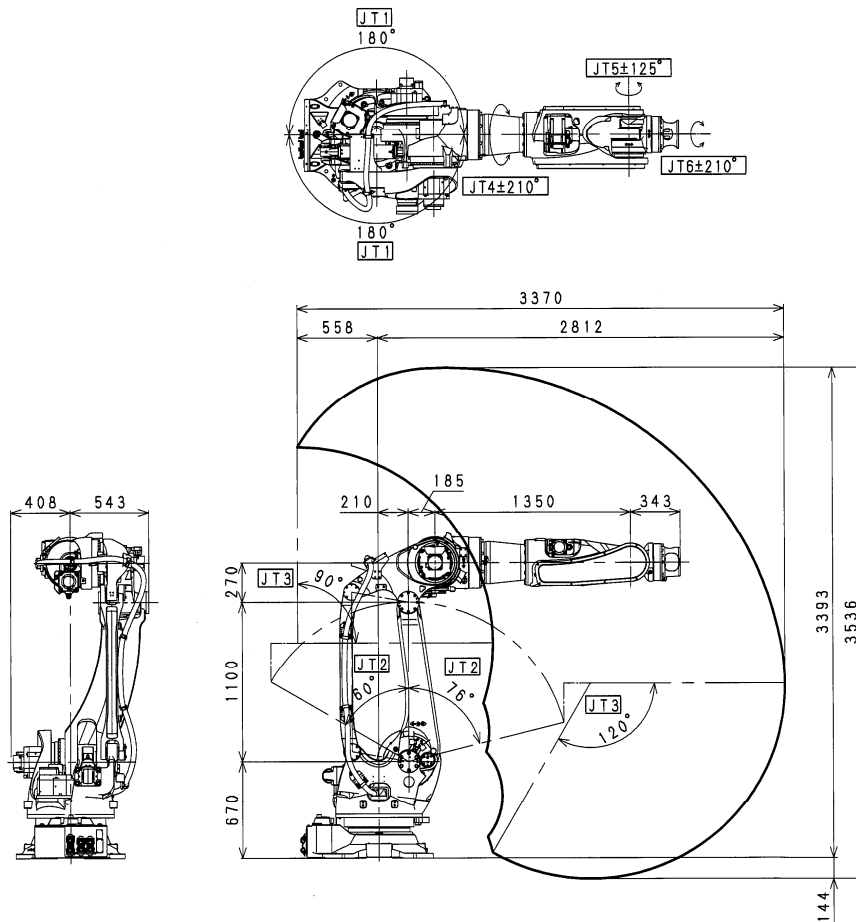
Type	Vertical Articulated Robot		
Degree of Freedom	6		
Motion Range and Maximum Speed	JT	Motion Range	Max. Speed
	1	±180°	125 °/s
	2	+76° to -60°	120 °/s
	3	+90° to -120°	100 °/s
	4	±210°	140 °/s
	5	±125°	140 °/s
6	±210°	200 °/s	
Max. Payload	250 kg		
Wrist Load Capacity	JT	Torque	Moment of Inertia
	4	1800.0 N·m	200.0 kg·m ²
	5	1800.0 N·m	200.0 kg·m ²
	6	750.0 N·m	165.0 kg·m ²
Repeatability	±0.07 mm		
Mass	1460 kg		
Acoustic Noise	< 80 db (A)*		

*measured condition

- installed on the plate rigidly fixed on the floor
- 4800 mm away from JT1 center

The noise level depends on the conditions.

BX300L



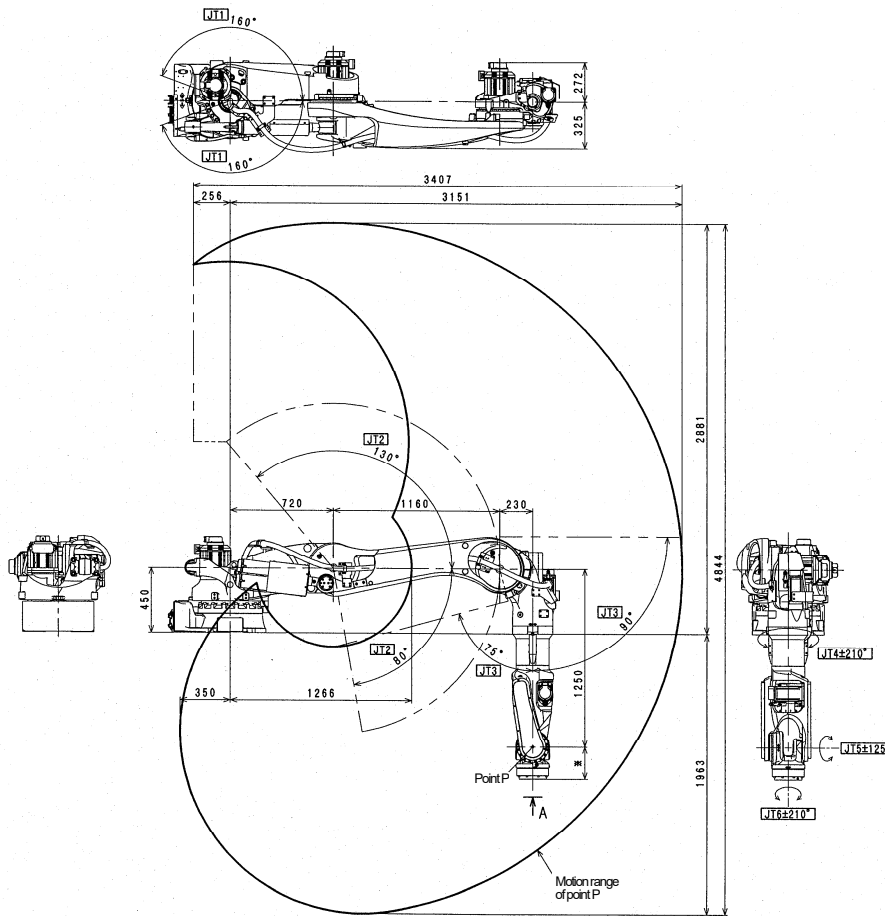
Type	Vertical Articulated Robot		
Degree of Freedom	6		
Motion Range and Maximum Speed	JT	Motion Range	Max. Speed
	1	±180°	125 °/s
	2	+76° to -60°	102 °/s
	3	+90° to -120°	85 °/s
	4	±210°	105 °/s
	5	±125°	110 °/s
6	±210°	180 °/s	
Max. Payload	300 kg		
Wrist Load Capacity	JT	Torque	Moment of Inertia
	4	2300.0 N·m	240.0 kg·m ²
	5	1300.0 N·m	240.0 kg·m ²
6	1000.0 N·m	200.0 kg·m ²	
Repeatability	±0.07 mm		
Mass	1460 kg		
Acoustic Noise	< 80 dB (A)*		

*measured condition

- installed on the plate rigidly fixed on the floor
- 4800 mm away from JT1 center

The noise level depends on the conditions.

BT165L

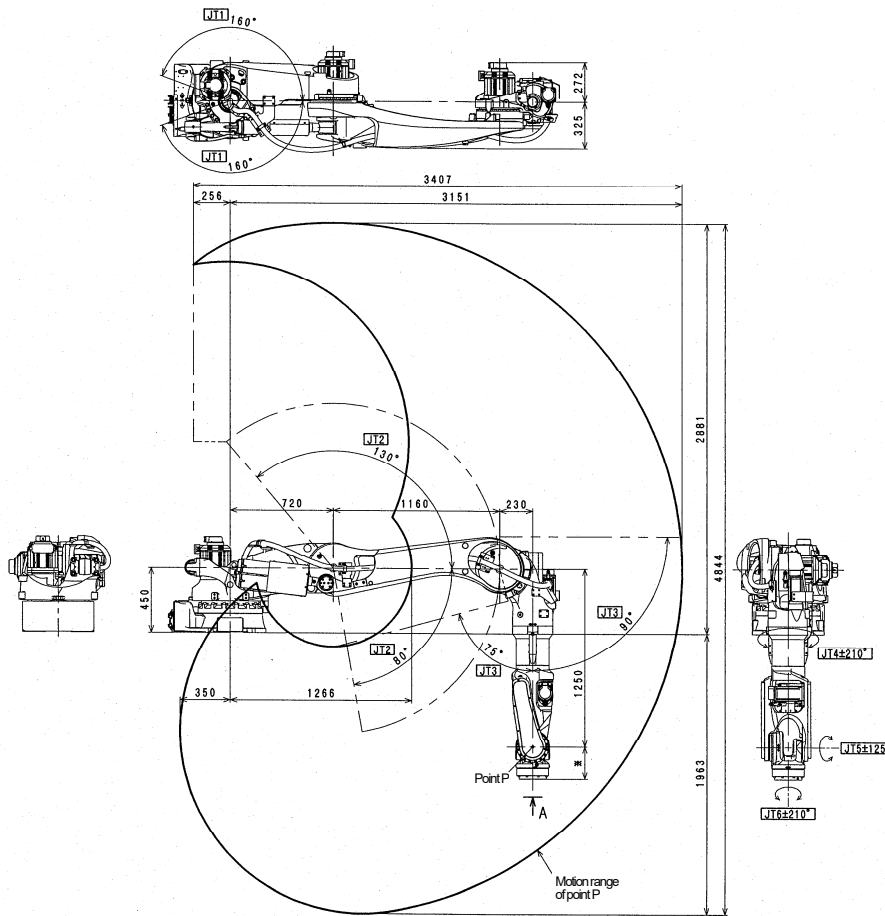


Type	Vertical Articulated Robot		
Degree of Freedom	6		
Motion Range and Maximum Speed	JT	Motion Range	Max. Speed
	1	±160°	120 °/s
	2	+80° to -130°	110 °/s
	3	+90° to -75°	130 °/s
	4	±210°	170 °/s
	5	±125°	170 °/s
6	±210°	280 °/s	
Max. Payload	165 kg		
Wrist Load Capacity	JT	Torque	Moment of Inertia
	4	952 N·m	99 kg·m ²
	5	952 N·m	99 kg·m ²
	6	491 N·m	49.5 kg·m ²
Repeatability	±0.08 mm		
Mass	1100 kg		
Acoustic Noise	< 80 dB (A)*		

*measured condition
 • installed on the plate rigidly fixed on the floor
 • 5200 mm away from JT1 center

The noise level depends on the conditions.

BT200L



Type	Vertical Articulated Robot		
Degree of Freedom	6		
Motion Range and Maximum Speed	JT	Motion Range	Max. Speed
	1	±160°	105 °/s
	2	+80° to -130°	85 °/s
	3	+90° to -75°	100 °/s
	4	±210°	120 °/s
	5	±125°	120 °/s
6	±210°	200 °/s	
Max. Payload	200 kg		
Wrist Load Capacity	JT	Torque	Moment of Inertia
	4	1334.0 N·m	199.8 kg·m ²
	5	1334.0 N·m	199.8 kg·m ²
6	588.0 N·m	154.9 kg·m ²	
Repeatability	±0.08 mm		
Mass	1100 kg		
Acoustic Noise	< 80 dB (A)*		

*measured condition

- installed on the plate rigidly fixed on the floor
- 5200 mm away from JT1 center

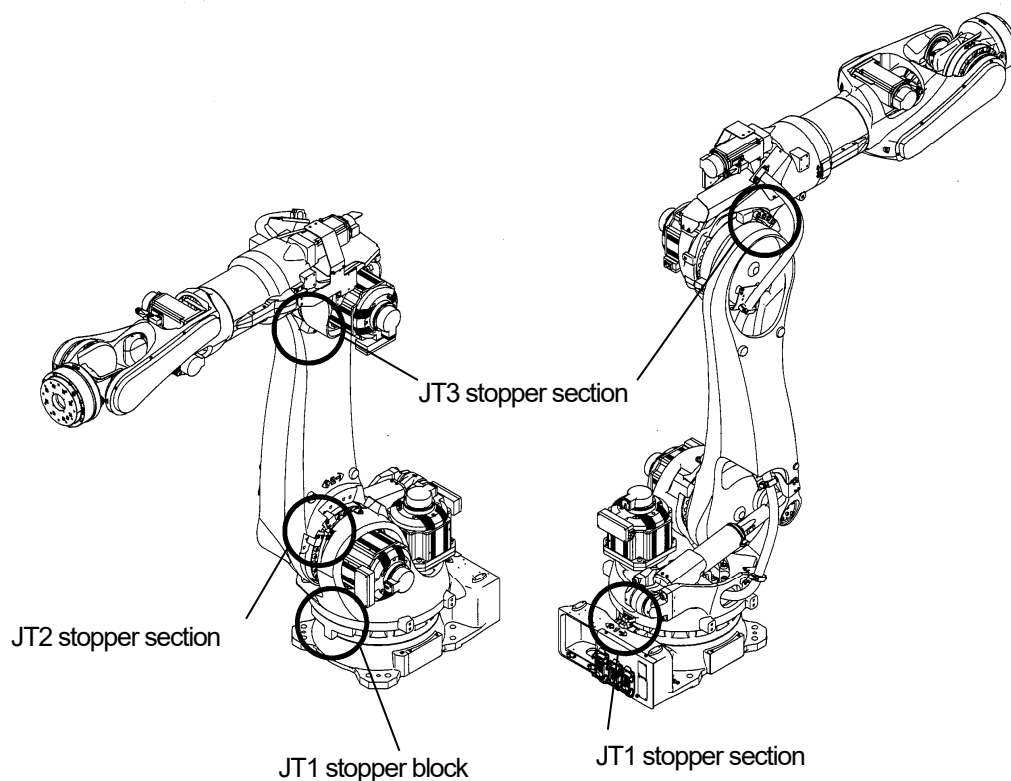
The noise level depends on the conditions.

3.3 Mechanical Stoppers

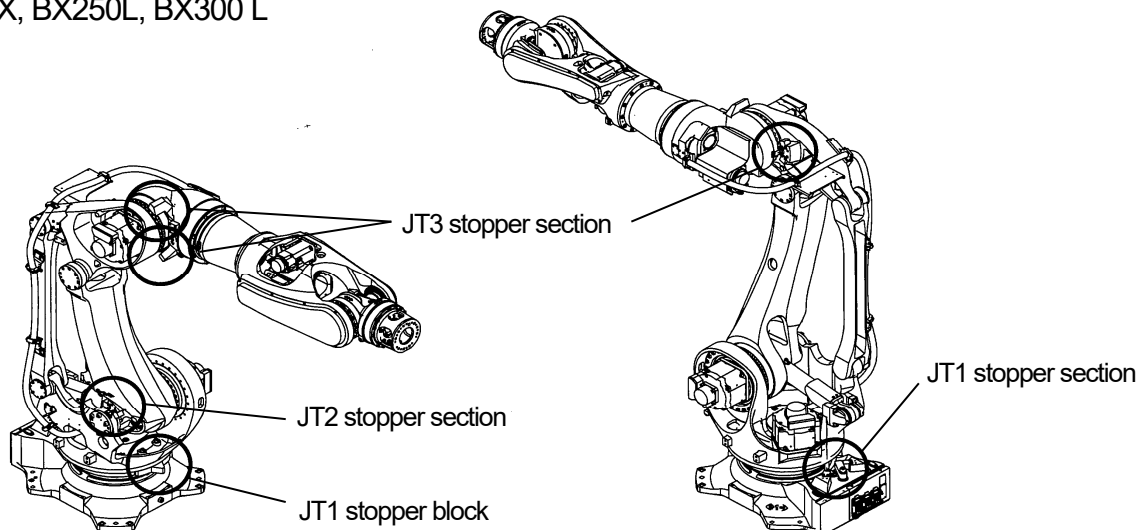
For JT1, JT2 and JT3 of base axes, mechanical stoppers are mounted at the places shown in the figure below. Among them, the motion range of JT1 can be changed by changing the mounting position of stopper block of stopper member on the moving side.

However, when the motion range is changed, it is necessary to change the motion range limits to the corresponding values by Auxiliary function 0507.

BX100S, BX100N, BX100L, BX130X, BX165N, BX165L, BX200L, BT165L, BT200L



BX200X, BX250L, BX300 L



3.3.1 JT1 Stopper Block

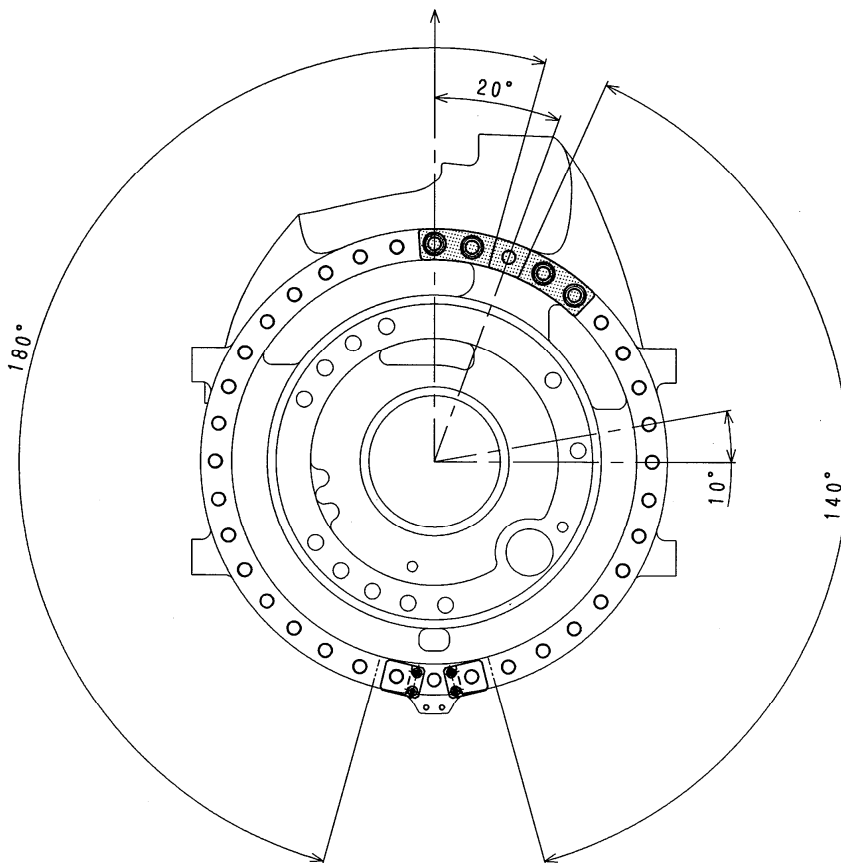
Mounting position of JT1 stopper block can be changed by angular unit of 10 degrees. In addition, reducing the motion range is possible by mounting two stopper blocks as an option.

When mounting a stopper block:

BX100S, BX100N, BX100L, BX130X, BX165N, BX165L, BX200L, BT165L, BT200L

Stopper block mounting position can only be changed within the motion range of 180° on both plus and minus sides due to the restriction on control and harness treatment. Total motion range of both plus and minus sides is 320° .

Mounting a stopper block as shown below makes the motion range of 180° on the plus side and 140° on the minus side.



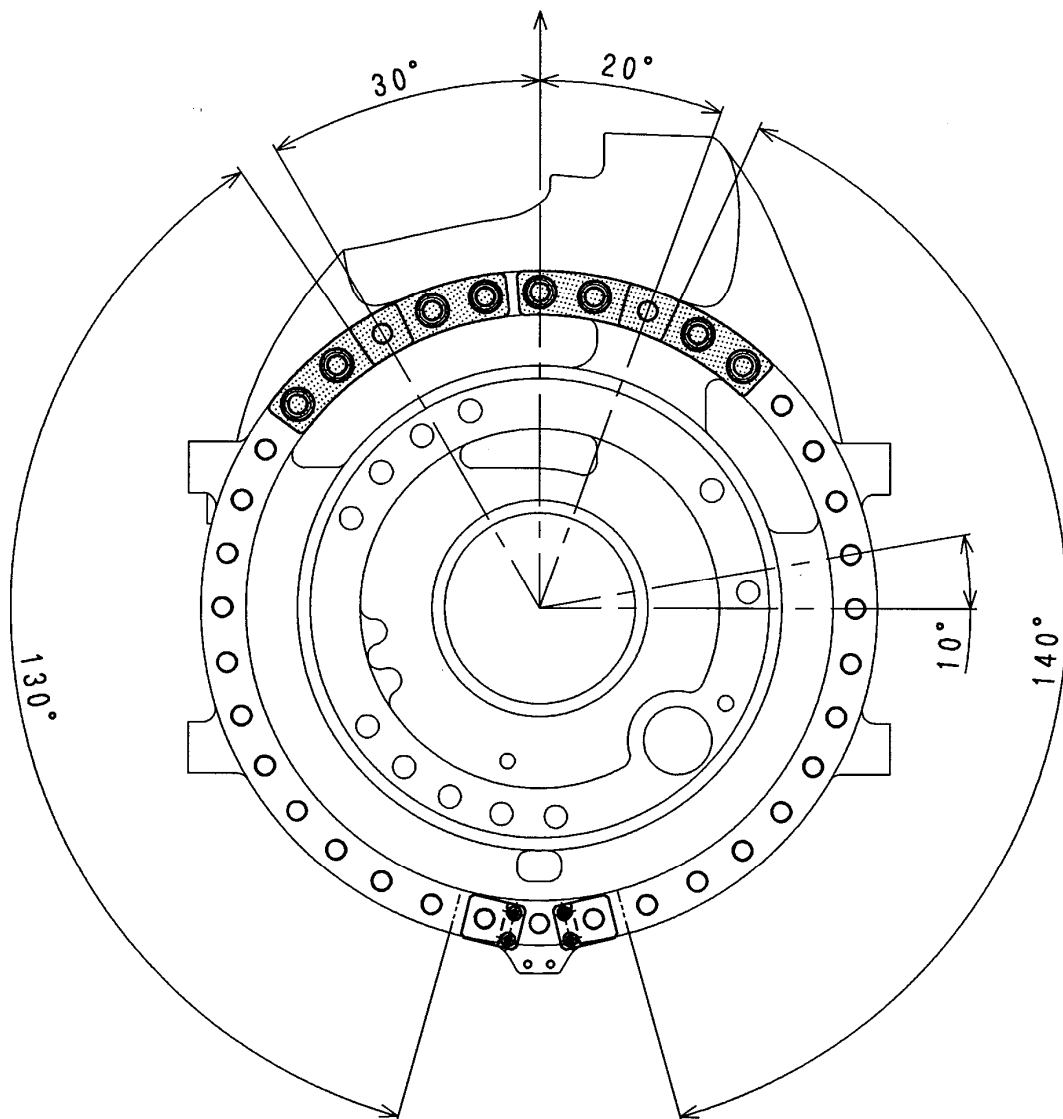
For BX200X, BX250L and BX300L, the motion range is 180° on both plus and minus sides due to the restriction from control and harness treatment and total motion range of both plus and minus sides is 360° . Do not change the mounting position when mounting a stopper block because the motion range on plus (or minus) side exceeds 180° if the mounting position is changed.

When mounting two stopper blocks:

BX100S, BX100N, BX100L, BX130X, BX165N, BX165L, BX200L, BT165L, BT200L

Stopper blocks mounting positions can only be changed within the motion range of 180° on both plus and minus sides due to the restriction on control and harness treatment. However, the total motion range of both plus and minus sides is between 10° and 270° .

Mounting stopper blocks as shown below makes the motion range of 130° on the plus side and 140° on the minus side.

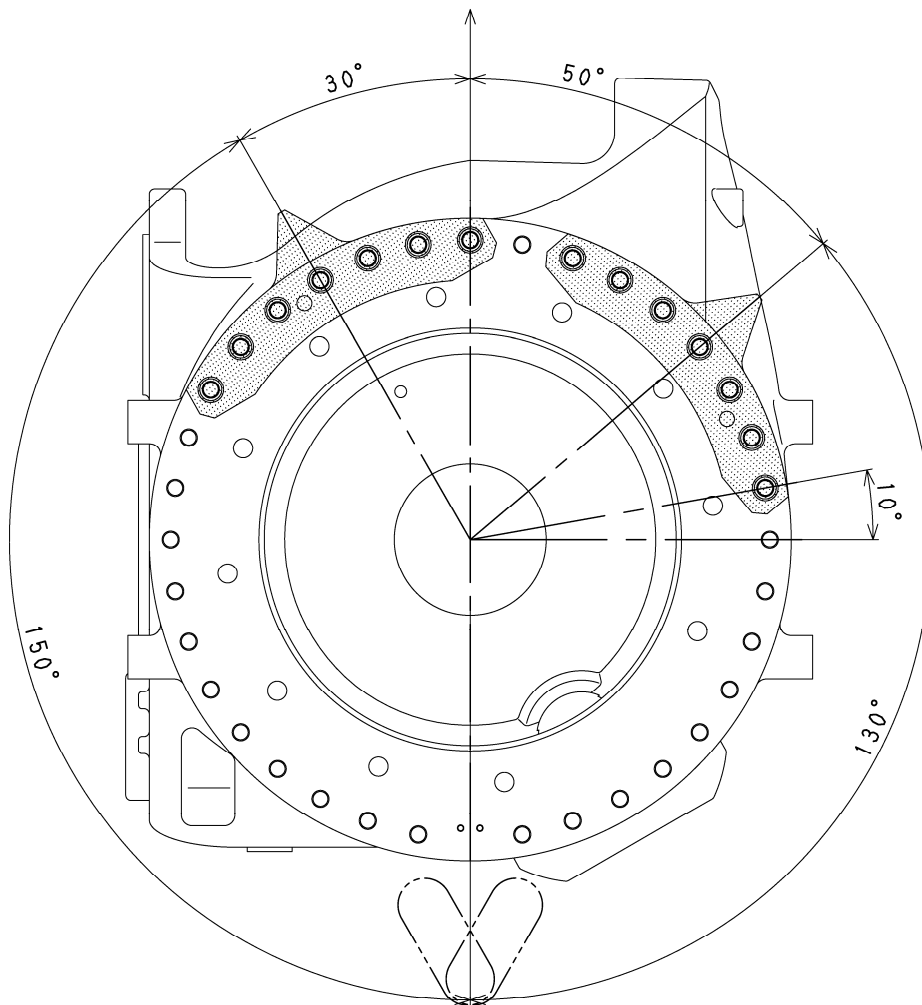


BX200X

Stopper blocks mounting positions can only be changed within the motion range of 180° on both plus and minus sides due to the restriction on control and harness treatment. However, the total motion range of both plus and minus sides is between 80° and 280° .

When setting the motion range between 0° and 80° or between 290° and 350° , special stopper blocks are necessary. In this case, contact Kawasaki.

Mounting stopper blocks as shown below makes the motion range of 150° on the plus side and 130° on the minus side.

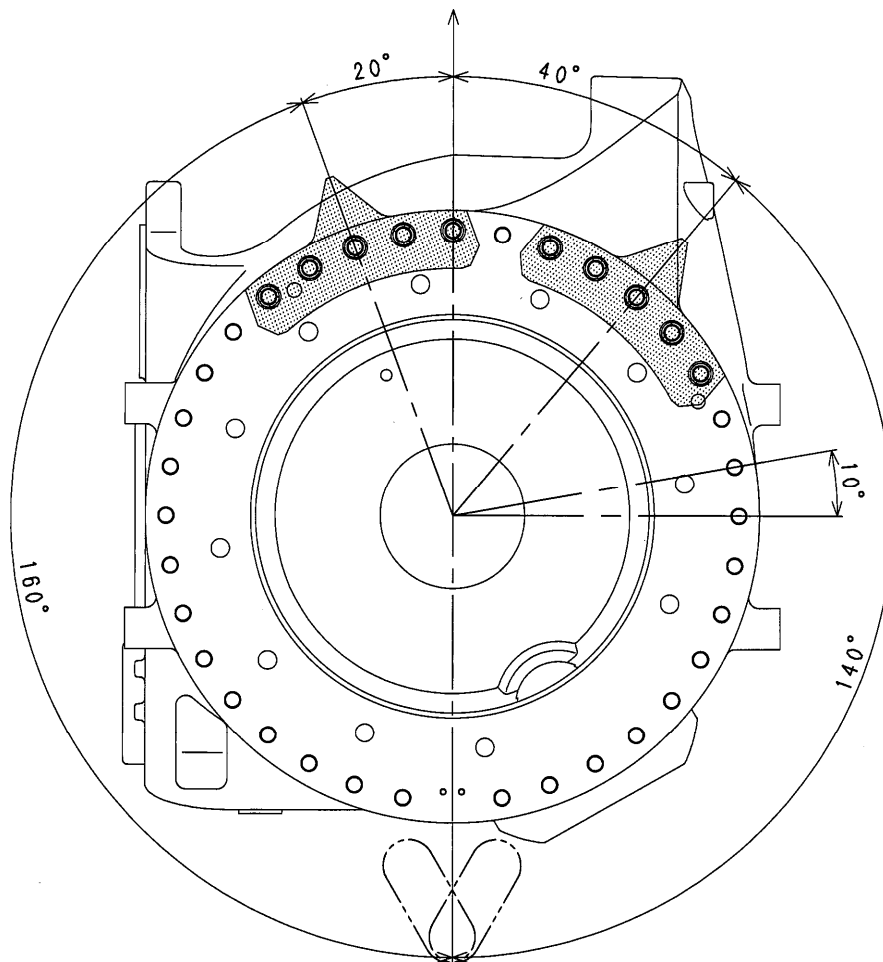


BX250L, BX300L

Stopper blocks mounting positions can only be changed within the motion range of 180° on both plus and minus sides due to the restriction on control and harness treatment. However, the total motion range of both plus and minus sides is between 60° and 300° .

When setting the motion range between 0° and 60° or between 310° and 350° , special stopper blocks are necessary. In this case, contact Kawasaki.

Mounting stopper blocks as shown below makes the motion range of 160° on the plus side and 140° on the minus side.



4 Robot Transportation Method

4.1 Using Wire Sling

There are two ways in which robots can be hoisted up by using wire slings.

4.1.1 Using Hoisting Jig

As shown in the figure below, hoist up the robot by fastening the wire slings to the hoisting jig attached to robot arm. Attach the hoisting jig, referring to the figure shown below.



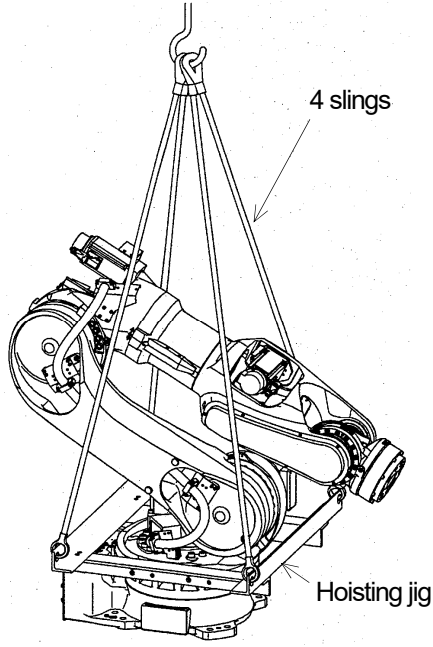
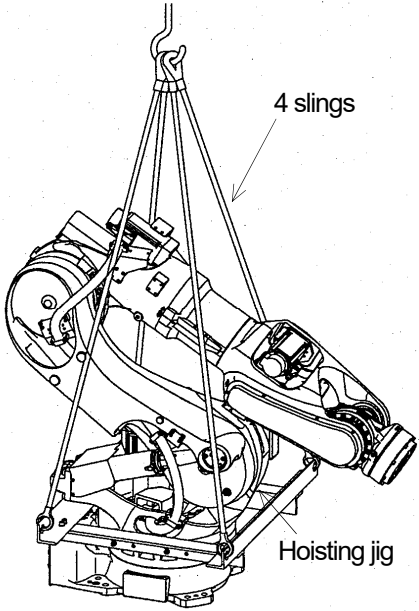
WARNING

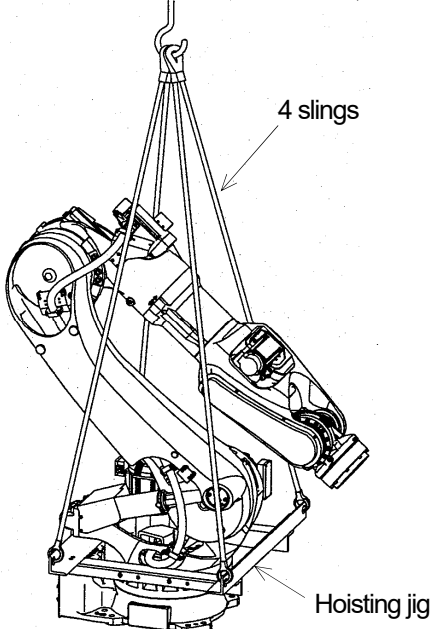
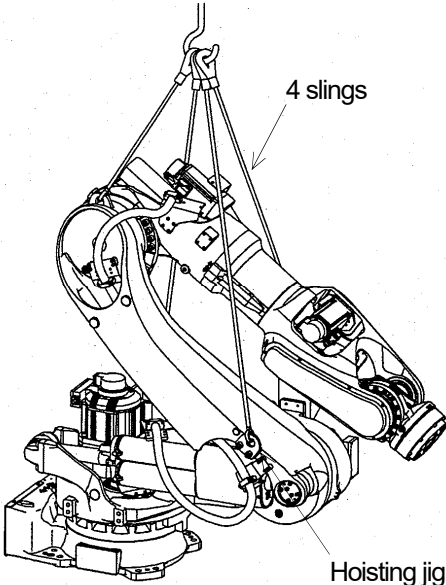
Use a hoisting jig without fail when hoisting up robot. If the robot is hoisted up without using the jig, robot may fall.



CAUTION

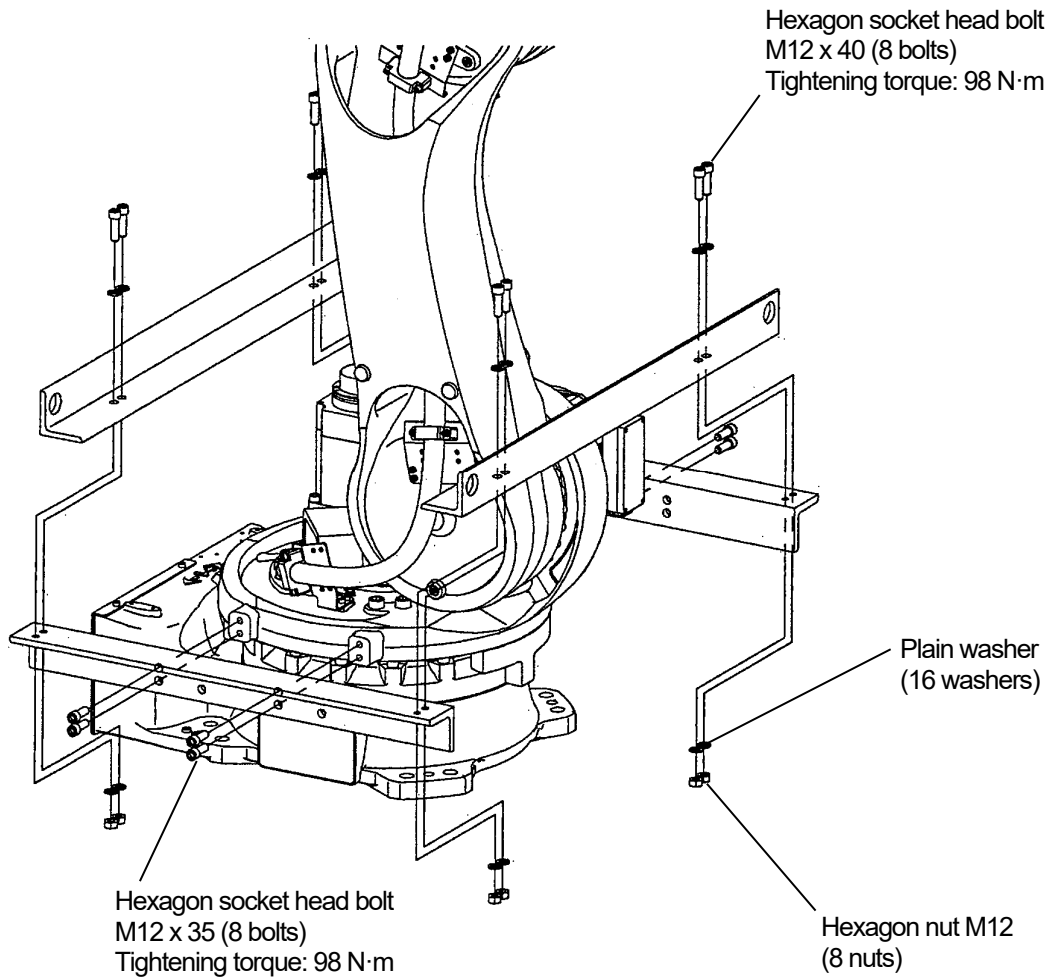
When hoisting up the robot, be careful as robot may lean forward/backward depending on robot posture and installation condition of the options. If the robot is hoisted up in an inclined posture, it may swing, damage or the wire may interfere with the harness, piping etc., or it may damage due to interfering with surrounding objects. Remove the hoisting jig attached to the arm once the transportation of robot is complete.

Model		BX100N	BX165N
Hoisted up posture		 <p>4 slings</p> <p>Hoisting jig</p>	 <p>4 slings</p> <p>Hoisting jig</p>
Hoisted up posture	JT1	0°	0°
	JT2	-50°	-45°
	JT3	-77°	-75°
	JT4	0°	0°
	JT5	0°	0°
	JT6	0°	0°

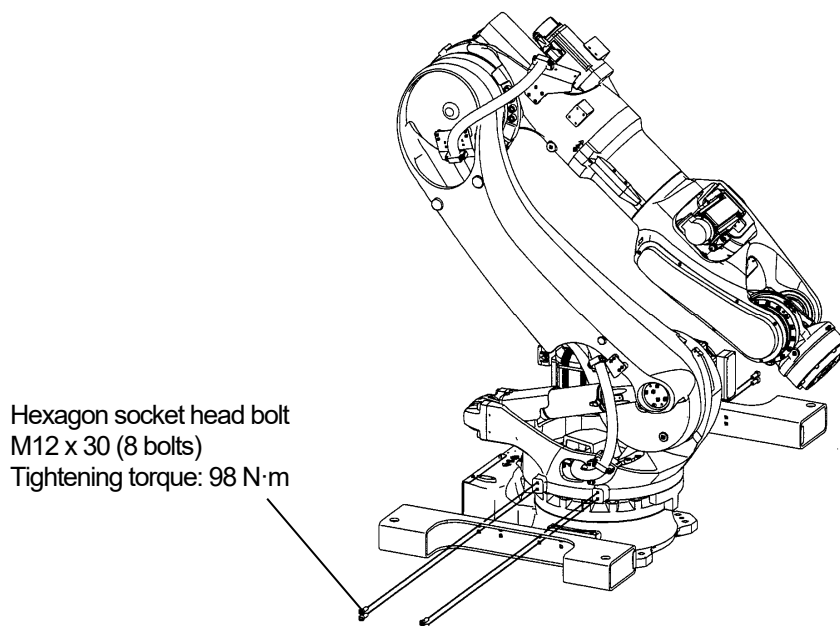
Model		BX100L, BX130X, BX165L, BX200L	BT165L, BT200L
Hoisted up posture			
Hoisted up posture	JT1	0°	0°
	JT2	-35°	-130°
	JT3	-75°	-75°
	JT4	0°	0°
	JT5	0°	0°
	JT6	0°	0°

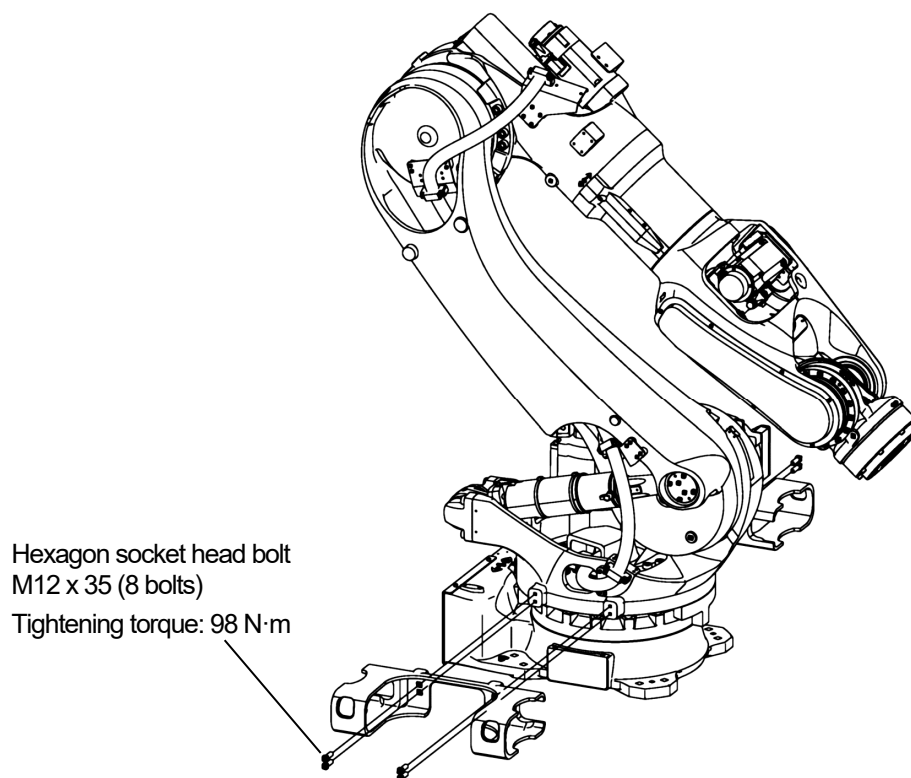
Attach the hoisting jig as shown in the figure below.

BX100N, BX100L, BX130X, BX165N, BX165L, BX200L



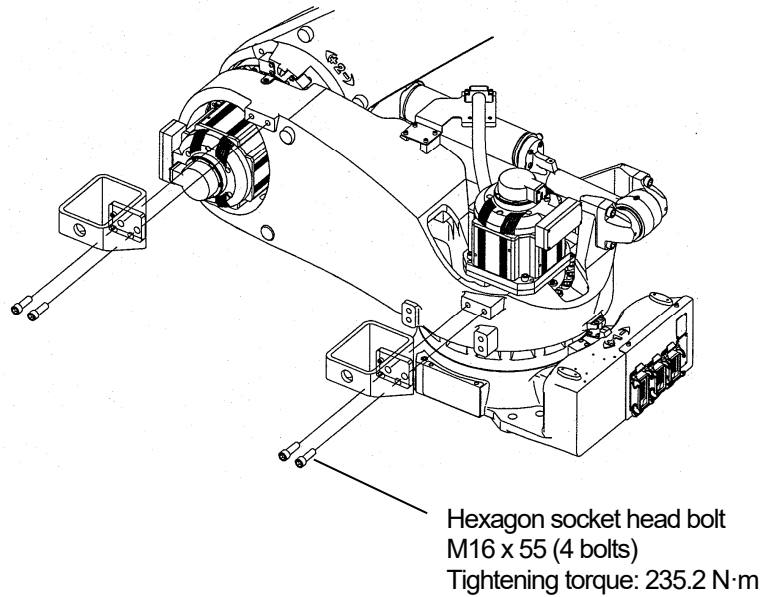
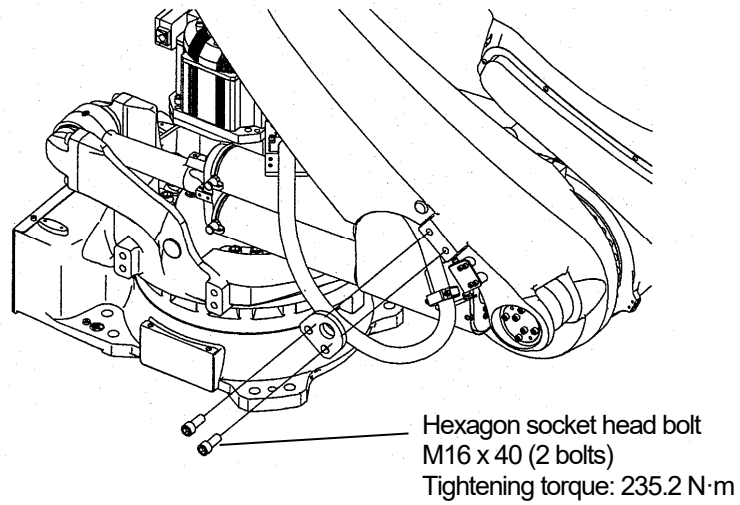
or



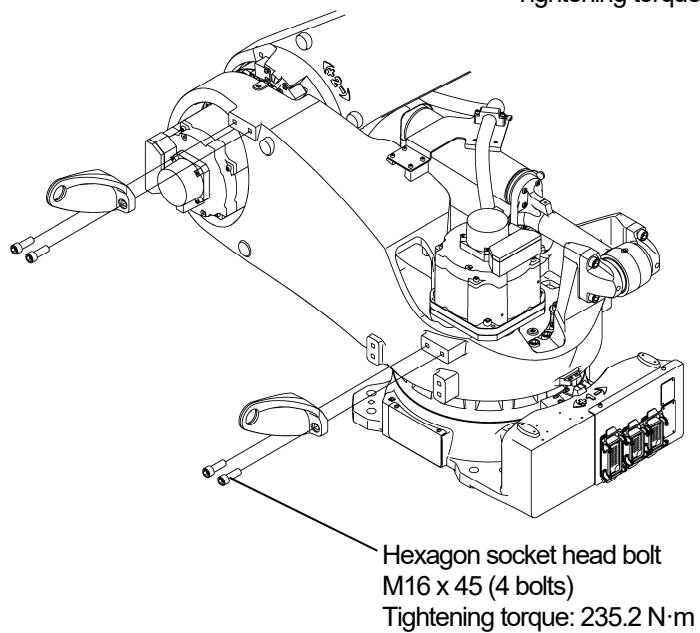


The hoisting jig shown above can be used to hoist up BX200X, BX250L, and BX300L.
For the hoisted up postures, refer to the table in section “4.1.2 Fastening Wire Sling Directly on The Arm.”

BT165L, BT200L



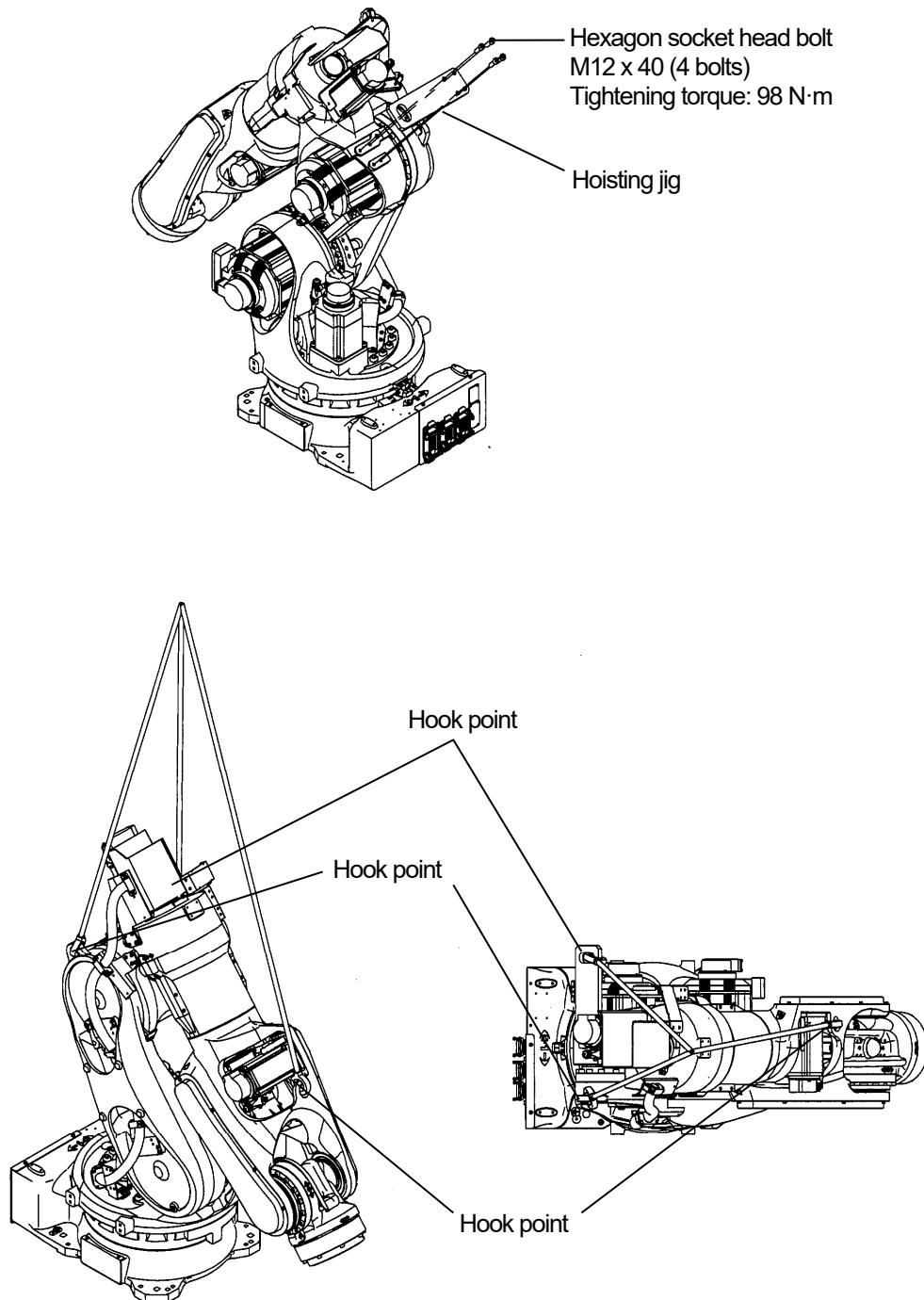
or



4.1.2 Fastening Wire Sling Directly on the Arm

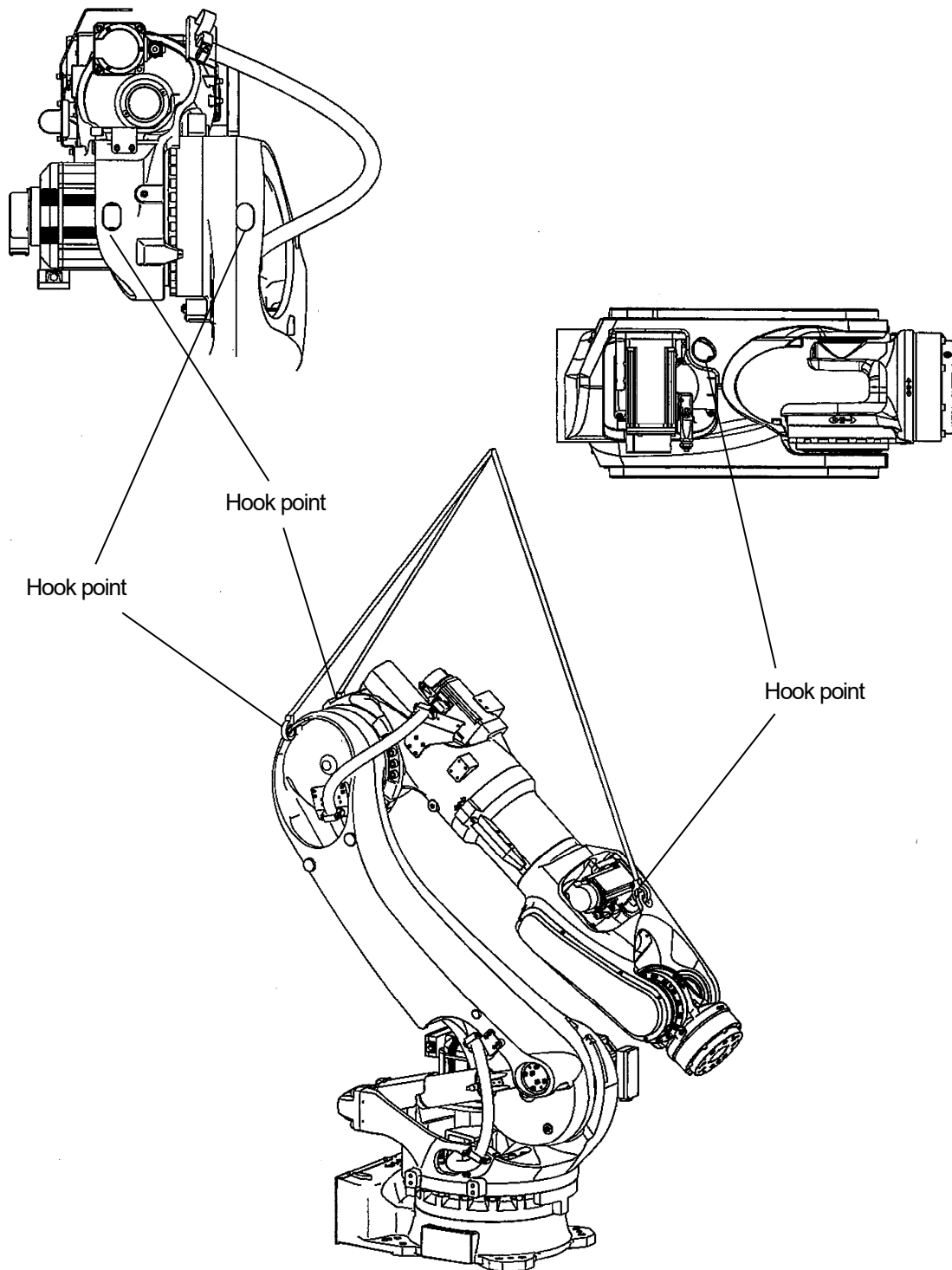
BX100S

Hoist up the robot arm with wire slings by hooking at the two hook points of the arm and one hook point of hoisting jig shown in the figure below. (Manufactured by TAIYO, Name: V-hook, Nominal working load: 1.25 t or equivalent)



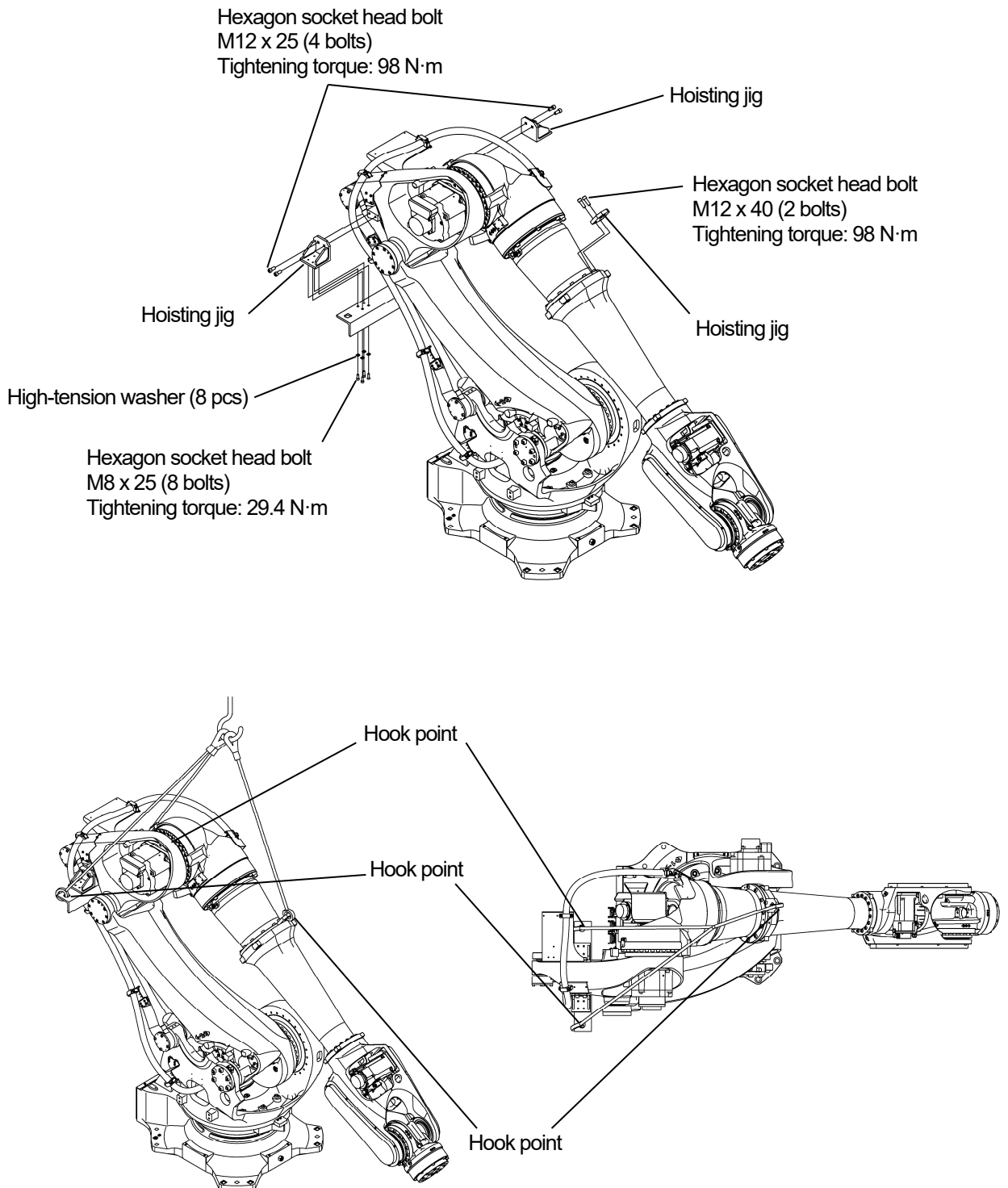
BX100L, BX130X, BX165N, BX165L, BX200L

Hoist up the robot arm with wire slings by hooking at the three hook points of the arm shown in the figure below. (Manufactured by TAIYO, Name: V-hook, Nominal working load: 1.25 t or equivalent)

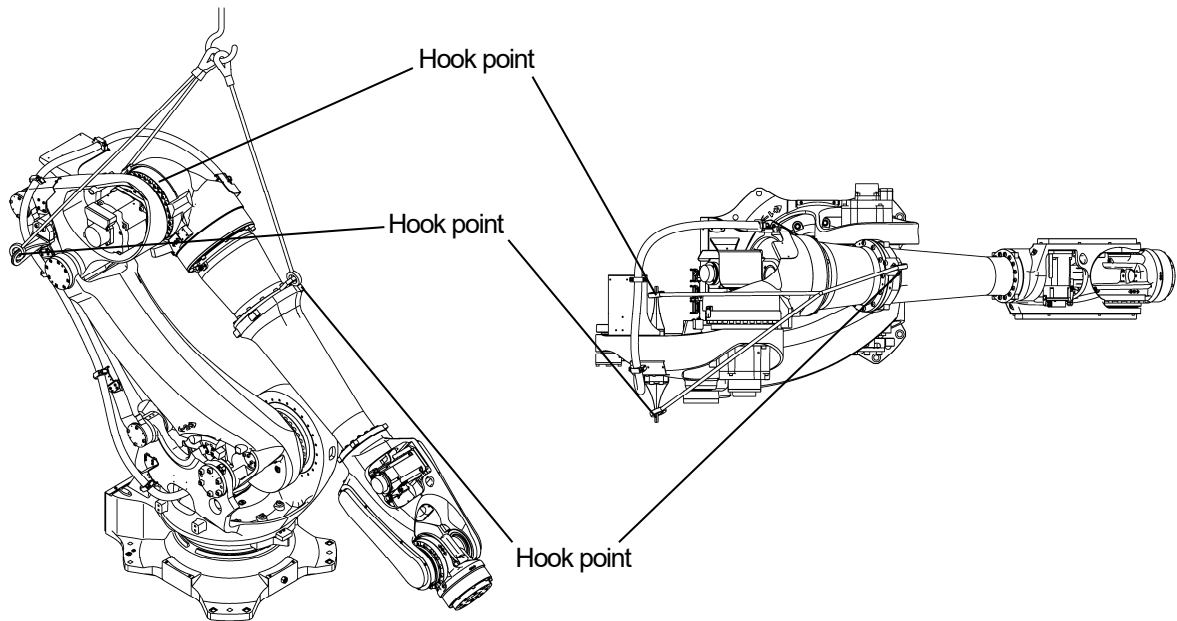
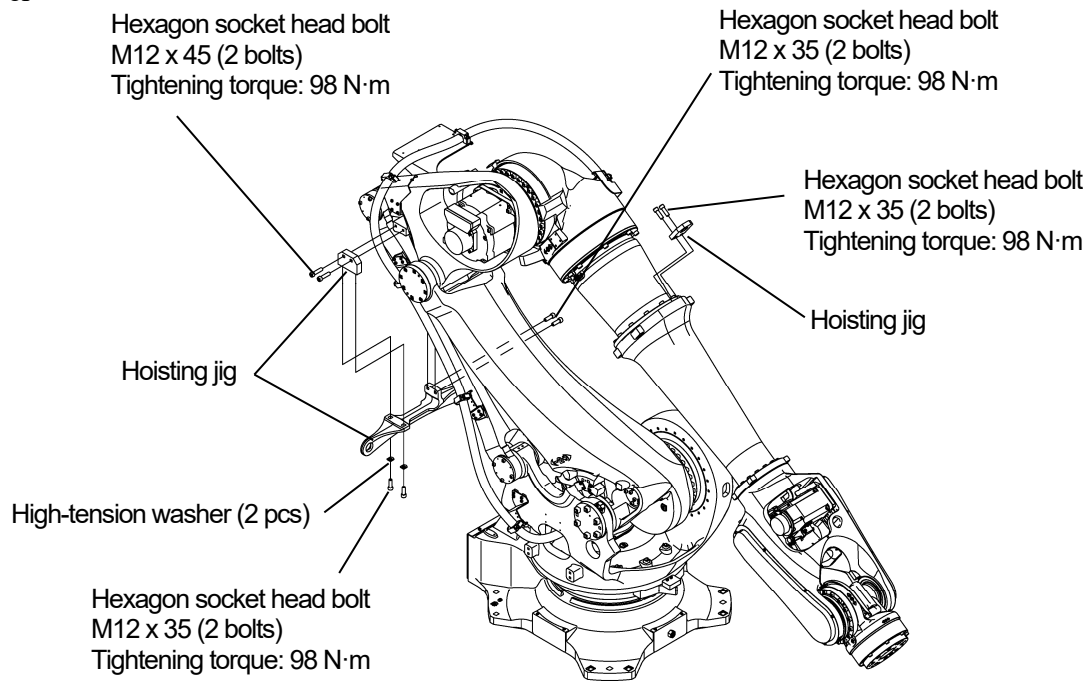


BX200X

Hoist up the robot arm with wire slings by hooking at the three hook points of the hoisting jig shown in the figure below. (Manufactured by TAIYO, Name: V-hook, Nominal working load: 1.25 t or equivalent)

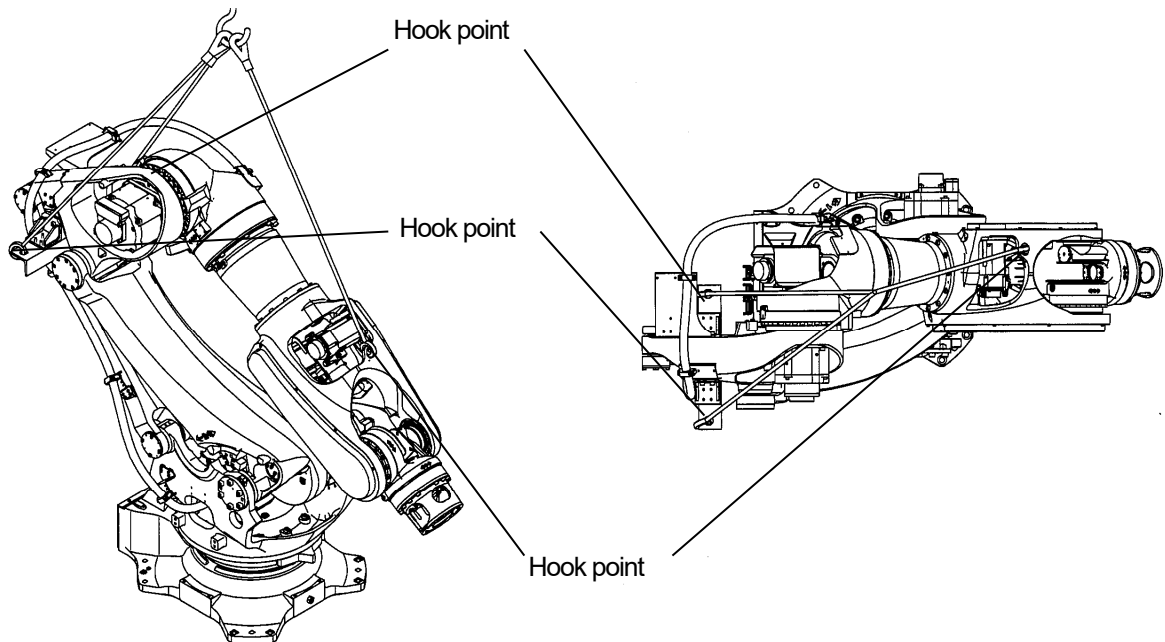
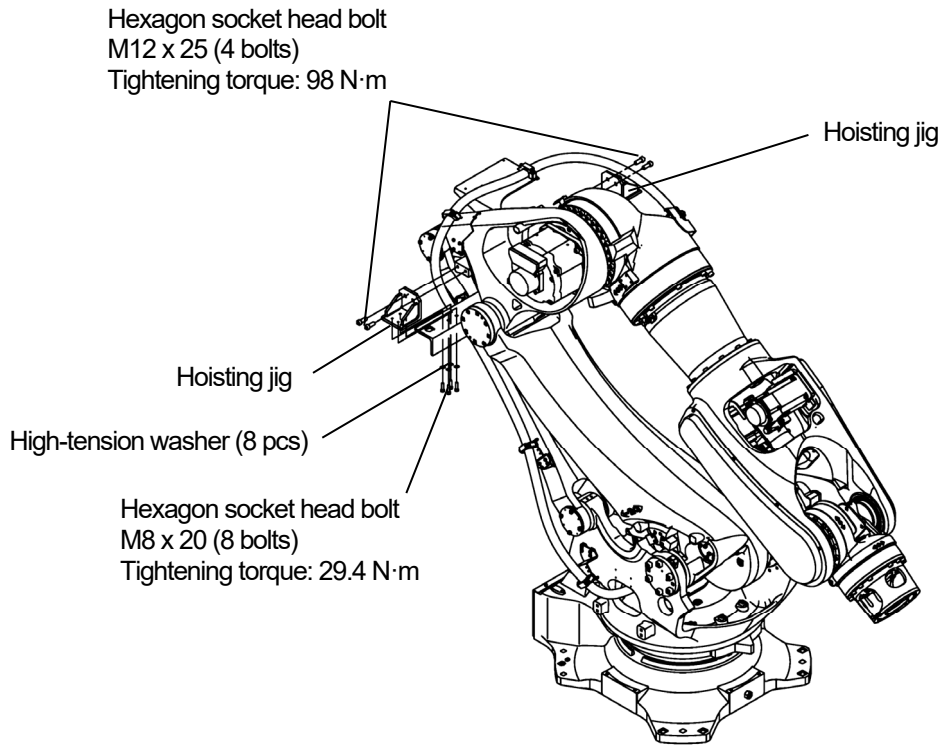


or

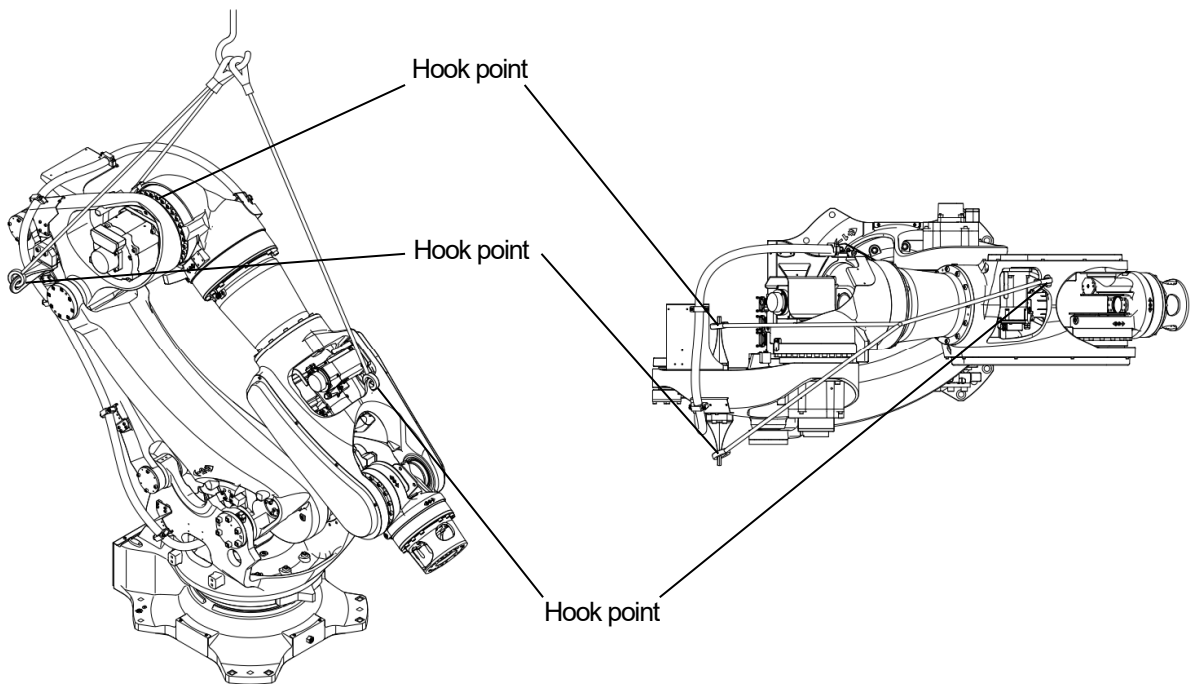
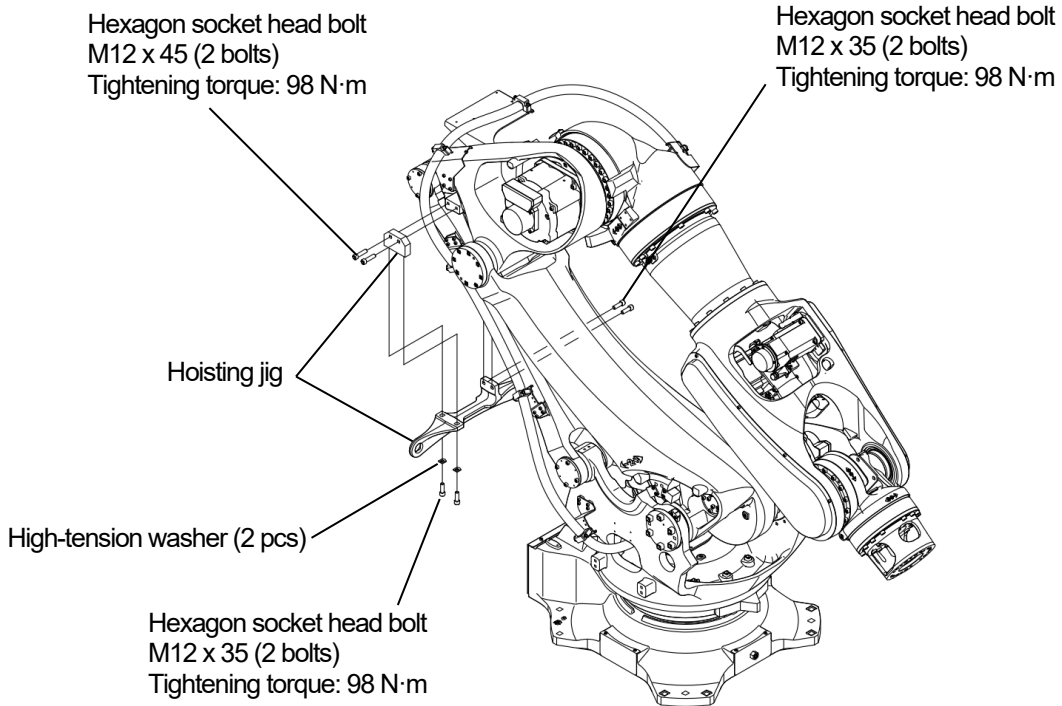


BX250L, BX300L

Hoist up the robot arm with wire slings by hooking at the one hook point of the arm and two hook points of hoisting jig shown in the figure below. (Manufactured by TAIYO, Name: V-hook, Nominal working load: 1.25 t or equivalent)

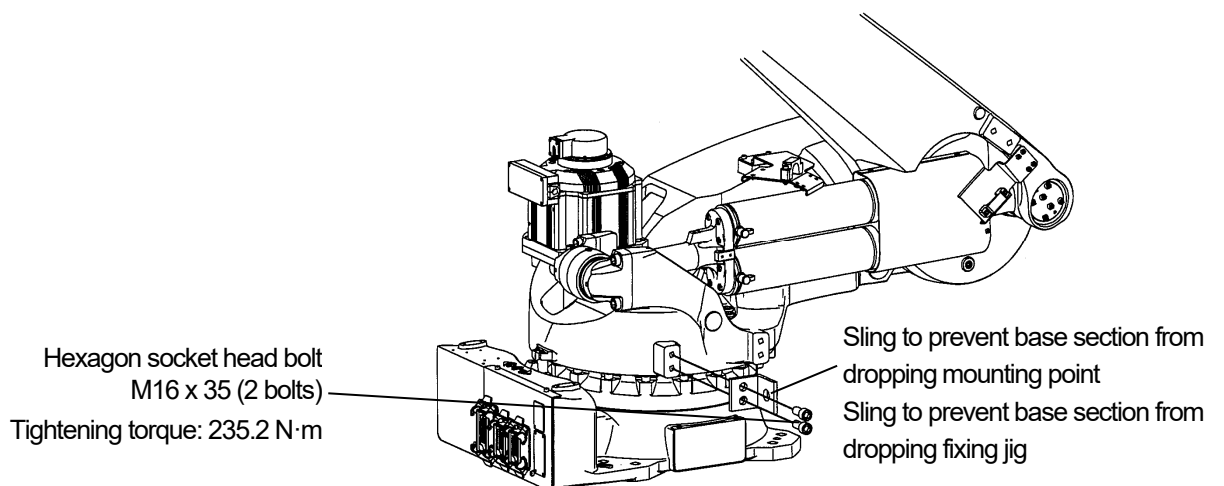
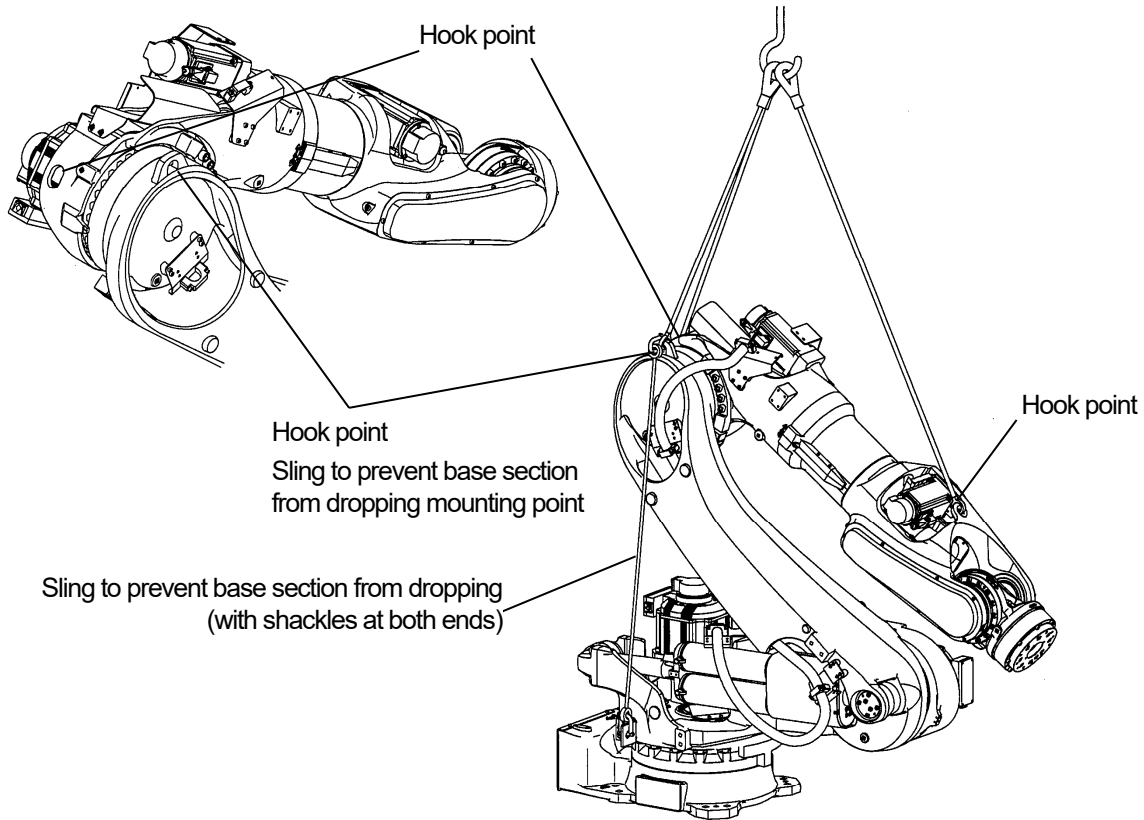


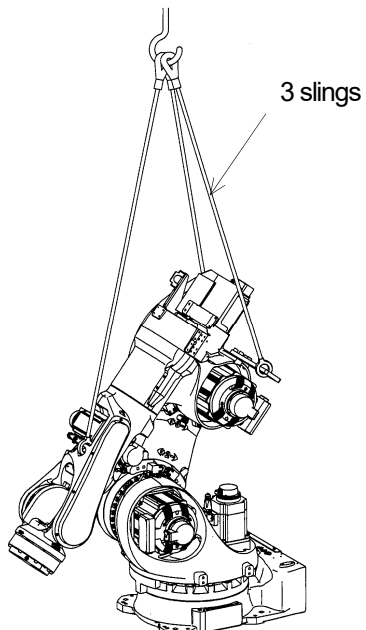
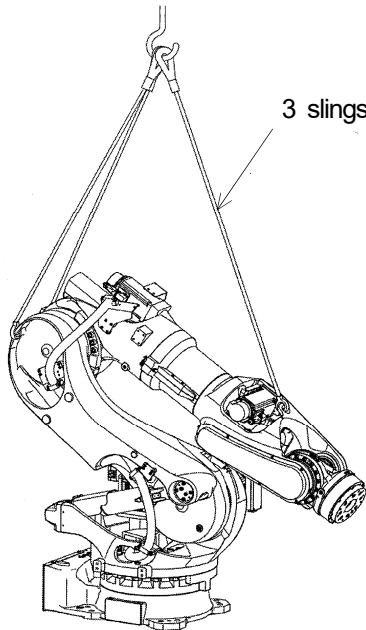
or

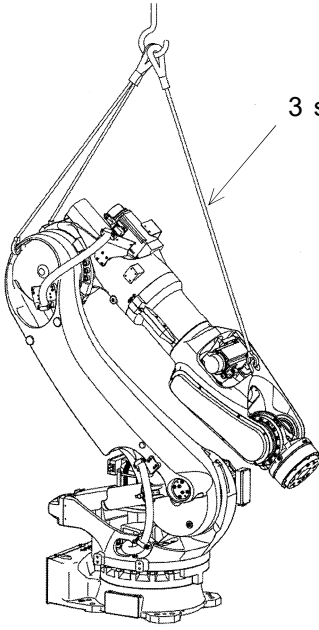
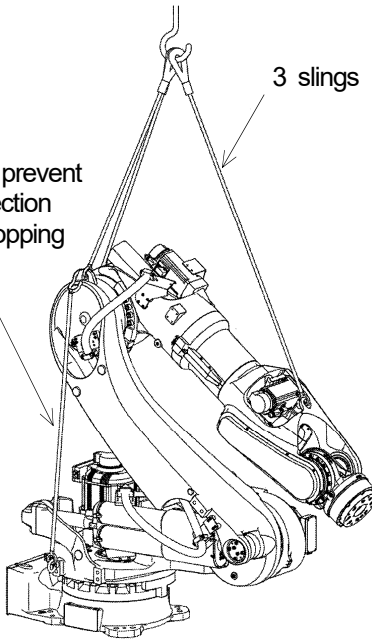


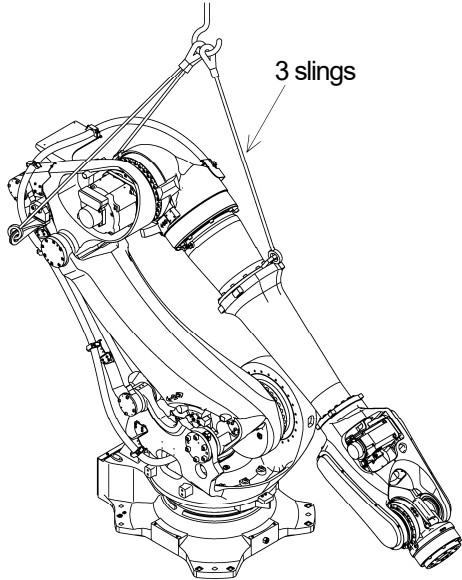
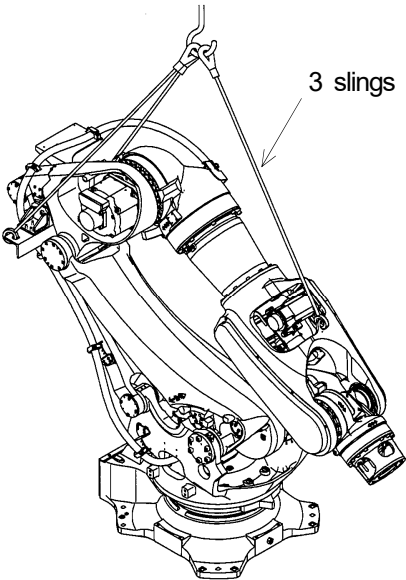
BT165L, BT200L

Hoist up the robot arm with wire slings by hooking at the three hook points of the arm shown in the figure below and hooking the sling to prevent base section from dropping at the one hook point of the arm and the one hook point of the jig (Manufactured by TAIYO, Name: V-hook, Nominal working load: 1.25t or equivalent).



Model		BX100S	BX165N
Hoisted up posture		 <p>3 slings</p>	 <p>3 slings</p>
Hoisted up posture	JT1	0°	0°
	JT2	-30°	-45°
	JT3	-81°	-75°
	JT4	0°	0°
	JT5	0°	0°
	JT6	0°	0°

Model		BX100L, BX130X, BX165L, BX200L	BT165L, BT200L
Hoisted up posture		 <p>3 slings</p>	 <p>3 slings</p> <p>Sling to prevent base section from dropping</p>
Hoisted up posture	JT1	0°	0°
	JT2	-35°	-130°
	JT3	-75°	-75°
	JT4	0°	0°
	JT5	0°	0°
	JT6	0°	0°

Model		BX200X	BX250L, BX300L
Hoisted up posture		 <p>3 slings</p>	 <p>3 slings</p>
Hoisted up posture	JT1	0°	0°
	JT2	-40°	-40°
	JT3	-35°	-35°
	JT4	0°	0°
	JT5	0°	0°
	JT6	0°	0°

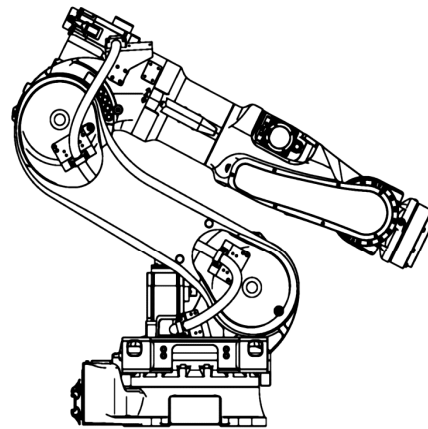
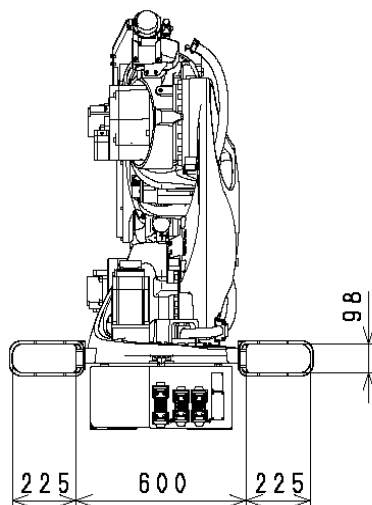
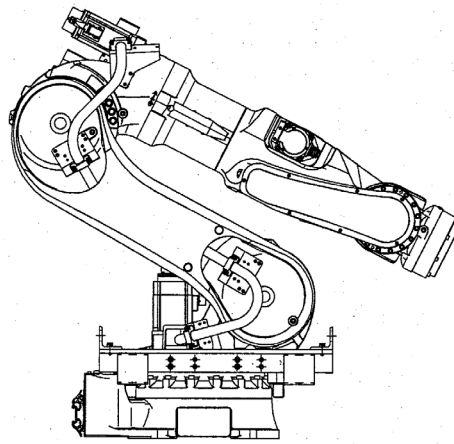
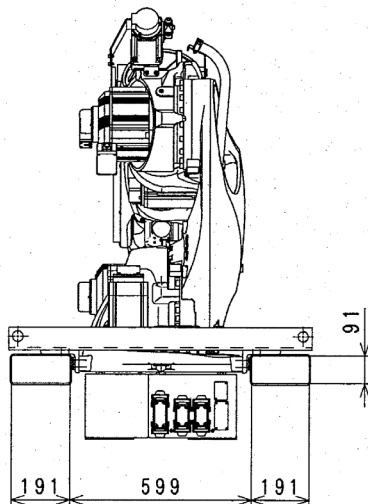
4.2 Forklift

According to the figure below, transport the robot by using a transportation jig for forklift attached to the robot arm. Attach the transportation jig, referring to the figure shown below.

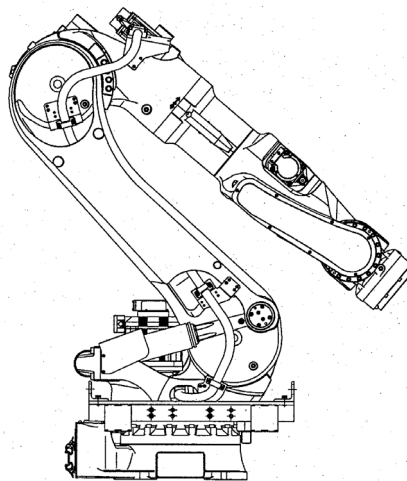
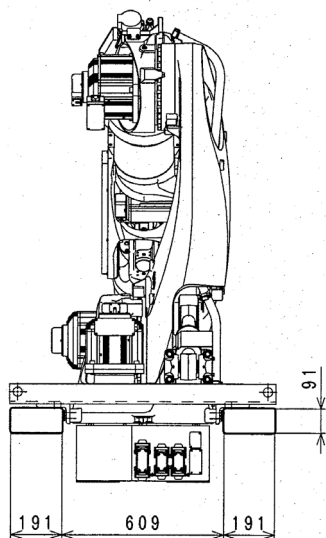
! CAUTION

1. Check if a fork of the forklift penetrates the transportation jig sufficiently without fail.
2. When transporting robot on an inclined or rough surface, be careful to maintain balance to prevent forklift/robot from falling.
3. Remove the transportation jig attached to the arm once the transportation of robot is complete.

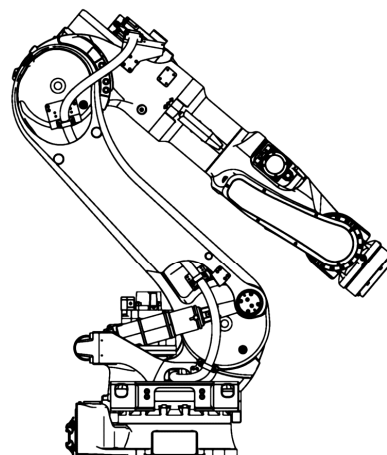
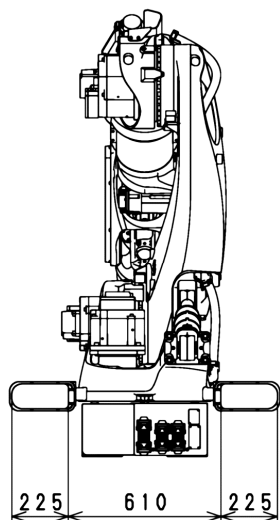
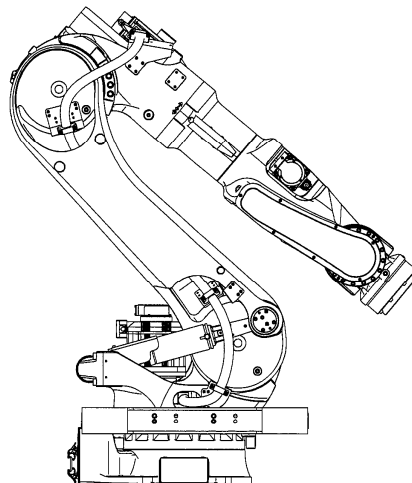
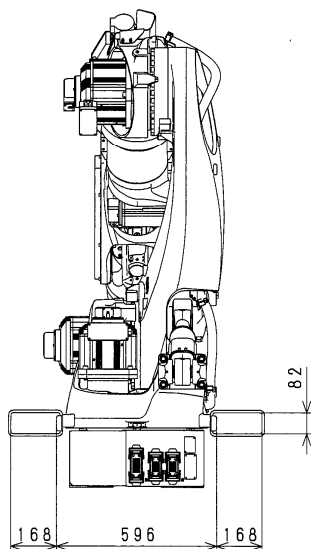
BX100S, BX100N



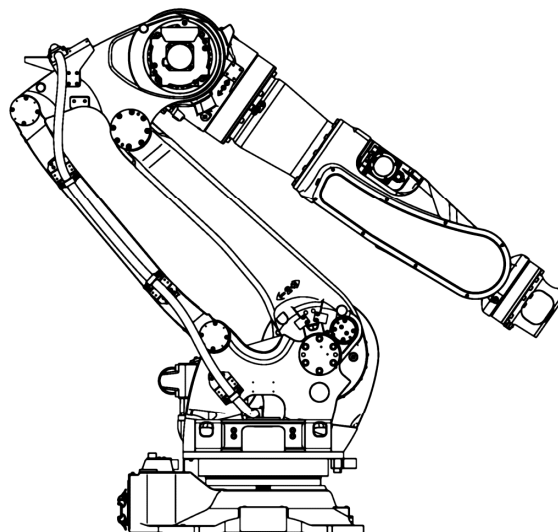
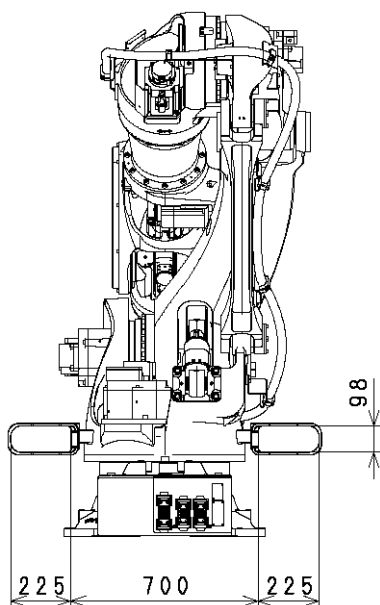
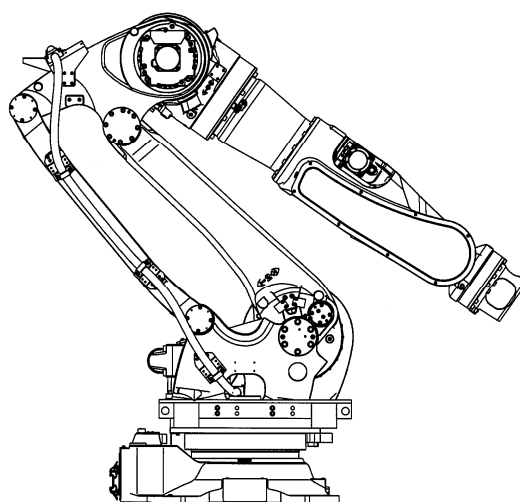
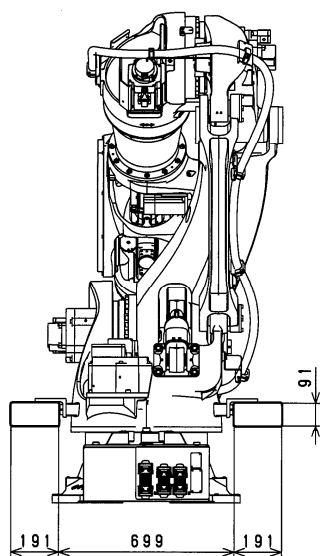
BX100L, BX130X, BX165N, BX165L, BX200L



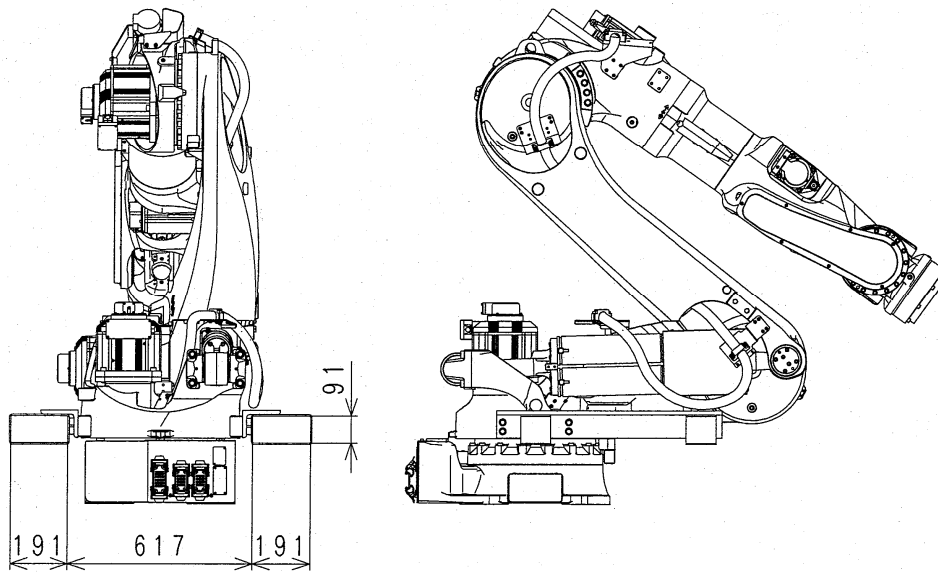
or



BX200X, BX250L, BX300L

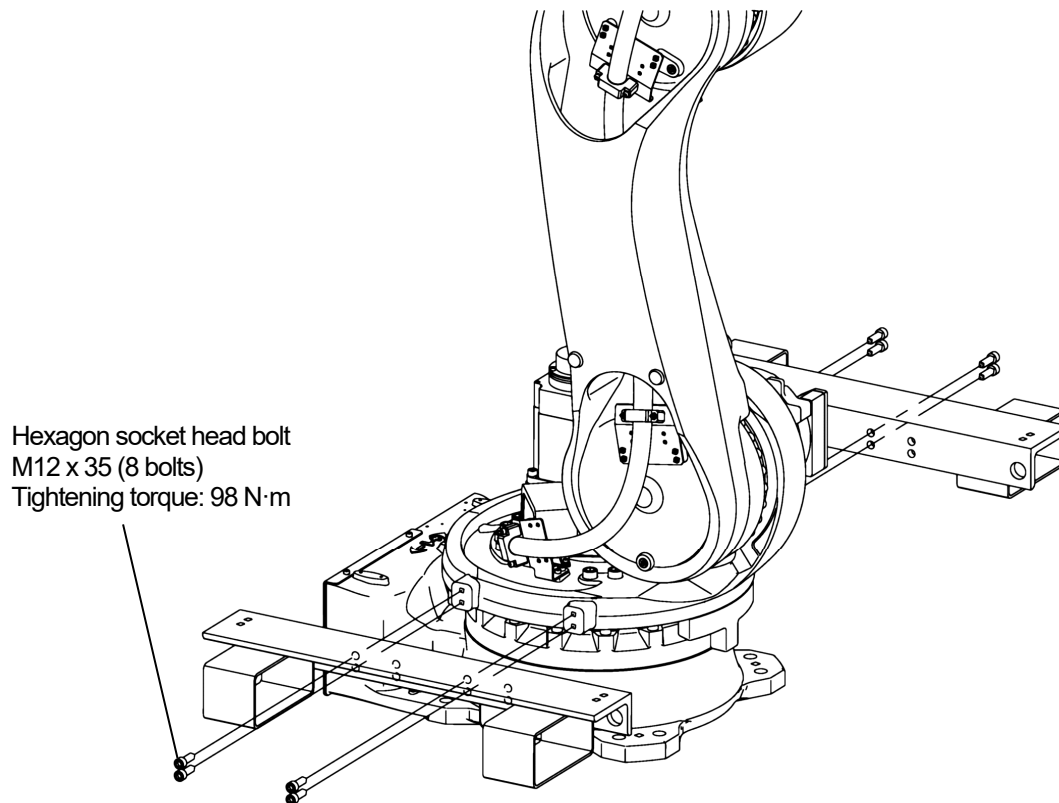


BT165L, BT200L

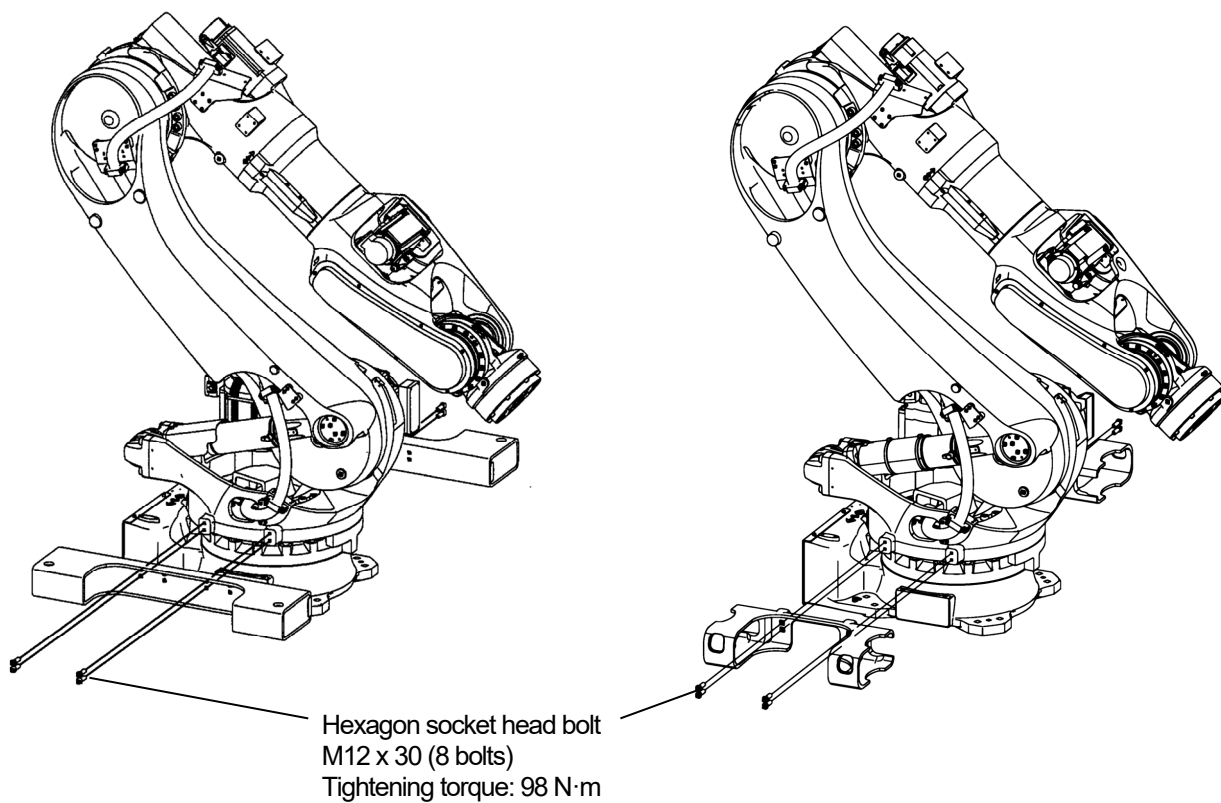


Attach the transportation jig as shown in the figure below.

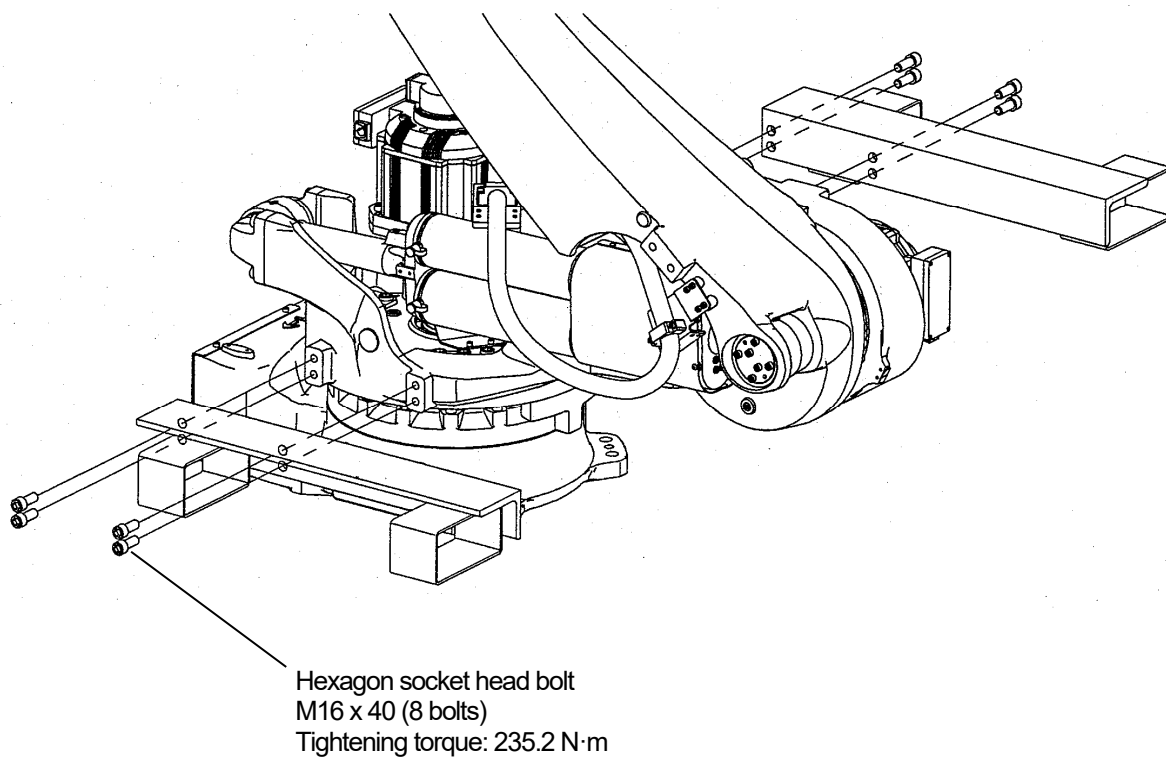
BX100S, BX100N, BX100L, BX130X, BX165N, BX165L, BX200L, BX250L, BX300L



or



BT165L, BT200L



5 Installation Dimensions of Base Section

When installing a robot, fix the base section with high tension bolts through the bolt holes.

Model	BX100S
Dimensions for installation	
Cross-section of installation section	
Bolt hole	4-φ22
High tension bolt	4-M20 Material: SCM435 Strength class: minimum 10.9
Tightening torque	431 N·m
Levelness	Within ±5°

Remove coating on the surface and mount ground line when using *2 ground tap (M6) without using *1 ground tap (M6, φ26 counterbore).

Model	BX100N, BX100L, BX130X, BX165N, BX165L, BX200L, BT165L, BT200L
Dimensions for installation	
Cross-section of installation section	
Bolt hole	8-φ22
High tension bolt	8-M20 Material: SCM435 Strength class: minimum 10.9
Tightening torque	431 N·m
Levelness	Within ±5°

Model	BX200X, BX250L, BX300L
Dimensions for installation	
Cross-section of installation section	
Bolt hole	8-φ22
High tension bolt	8-M20 Material: SCM435 Strength class: minimum 10.9
Tightening torque	431 N·m
Levelness	Within ±5°

6 Movement Reaction Acting on Installation Surface during Operation

Refer to the list below for the movement reaction that acts on the installation surface during operation.
 Consider these values at installation.

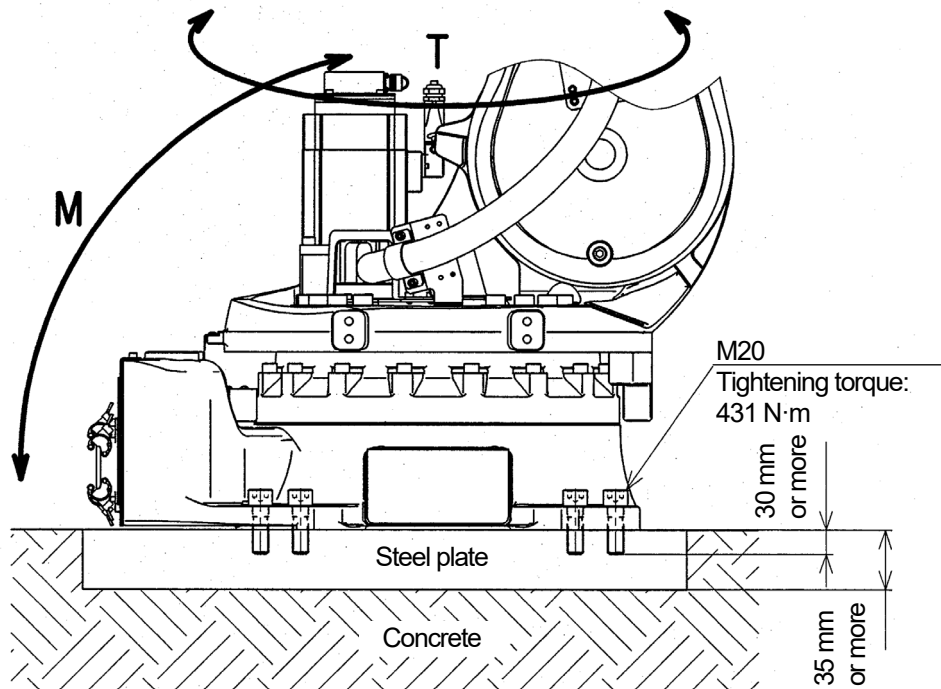
Model	BX100S	BX100N	BX165N	BX100L, BX130X, BX165L, BX200L	BX200X	BX250L BX300L	BT165L BT200L
M (Inversion Moment N·m)	27000	31000	33400	35000	53000	50000	40400
T (Rotating Torque N·m)	10000	10000	13000	15000	17000	17000	21700

See the next chapter for M and T.

7 Installation Method

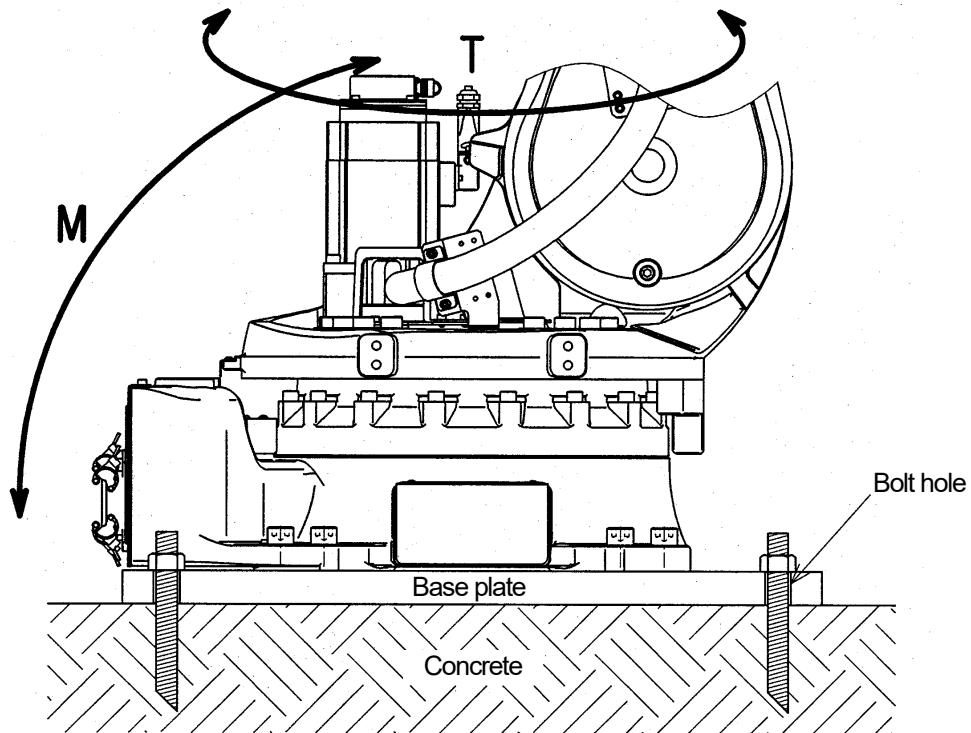
7.1 When Installing the Base Directly on the Floor

In this case, bury steel plate (35 mm Min. thickness) in the concrete floor as shown in the figure below or fix it with anchors. Fix the steel plate firmly enough to endure the reaction forces produced by the robot.



7.2 When Installing the Robot Base Plate on the Floor

In this case, install the base plate on concrete floor or steel plate using bolt holes on the base plate. Reaction forces received from robot are the same as when installing the base directly on the floor.

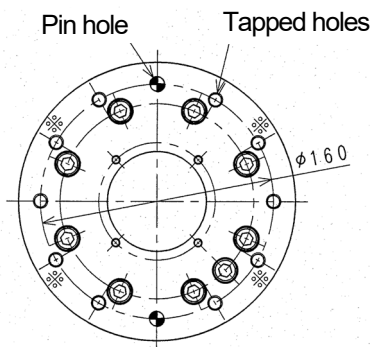


8 Mounting of Tools

! **WARNING**

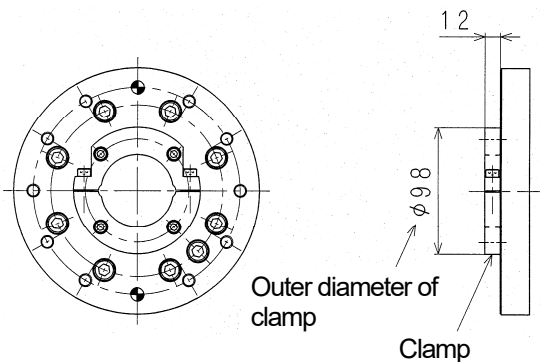
Prior to mounting tools on the robot, turn OFF the controller power switch and the external power switch. Display signs indicating clearly “Installation and connection in progress”, and lock out/tag out the external power switch to prevent personnel from accidentally turning ON the power.

8.1 Dimensions of Wrist End

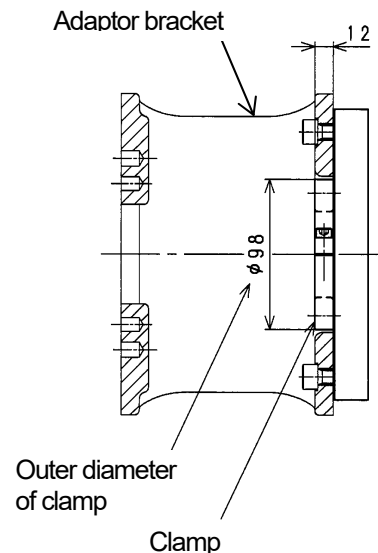
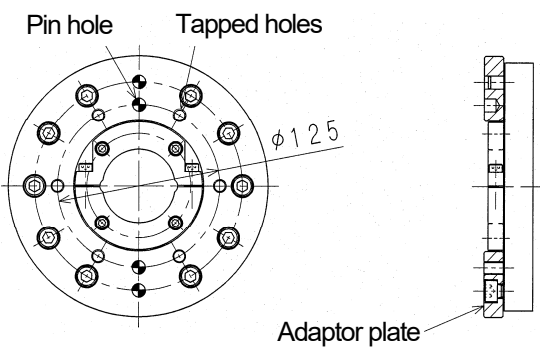


In the robot arm end section, a flange is provided on which hand, gun, or other tools are mounted. Screw the mounting bolts into the tapped holes on the circumference of $\phi 160$ on the flange, referring to the figure on the left. Moreover, position the tool by utilizing the pin holes.

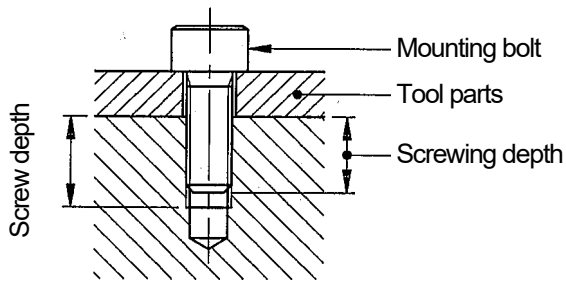
8.2 When Passing Cable/Hose through Wrist Hollow Section



When passing a cable/hose through the wrist hollow section, clamp is attached on the wrist flange as shown in the left figure. Provide a hole of $\phi 100$ on the flange of the tool side, or use an optional adapter plate or an adaptor bracket (option, standard for BX250L/300L).



8.3 Specification of Mounting Bolt



Select mounting bolts with proper length to secure the specified screwing depth according to the tapped depth of tool mounting flange. Use high tension mounting bolt and tighten them to the specified torque.

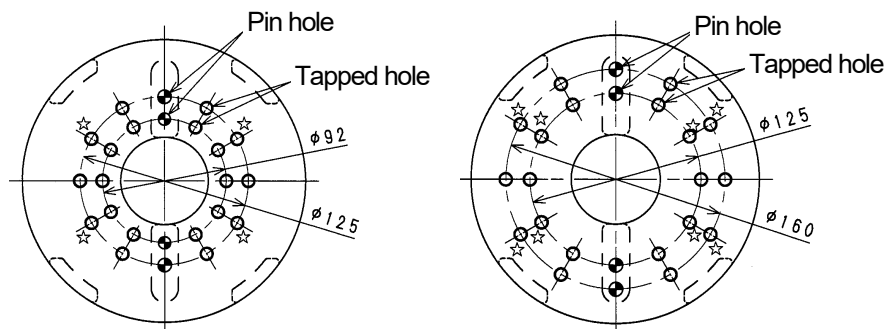
⚠ CAUTION

If the screwing depth has exceeded the specified value, the mounting bolt might bottom out, and the tool will not be fixed securely.

Model	Standard flange		Optional flange (Adaptor plate)
	B series (except BX250L/300L)	BX250L/300L	B series (except BX250L/300L)
Tapped holes	6-M10	10-M10	6-M10
ϕD	$\phi 160$	$\phi 160$	$\phi 125$
Pin hole	2- $\phi 10H7$ Depth 12	2- $\phi 10H7$ Depth 12	2- $\phi 10H7$ Depth 14
Screw depth	19 mm	13 mm (through)	20 mm
Screwing depth	13 to 14 mm	13 to 18mm	13 to 14 mm
High tension bolt	SCM435, 10.9 min.	SCM435, 10.9 min.	SCM435, 10.9 min.
Tightening torque	56.84 N·m	56.84 N·m	56.84 N·m

Model	Optional flange (Adaptor bracket)		
	B series (except BX250L/300L)		
Tapped holes	10-M10	6-M10*	6-M10*
ϕD	$\phi 92$	$\phi 125$	$\phi 160$
Pin hole	2- $\phi 9H7$ Depth 12	2- $\phi 10H7$ Depth 12	2- $\phi 10H7$ Depth 12
Screw depth	12 mm (through)	12 mm (through)	12 mm (through)
Screwing depth	13 to 18 mm	13 to 18 mm	13 to 18 mm
High tension bolt	SCM435, 10.9 min.	SCM435, 10.9 min.	SCM435, 10.9 min.
Tightening torque	56.84 N·m	56.84 N·m	56.84 N·m

NOTE* No need to use the tapped holes with ☆ in the figures below.



8.4 Load Capacity

Load mass applicable to robot is specified for each model and includes the mass of tool, etc. Applicable load torque and moment of inertia around wrist axes (JT4, JT5, JT6) are also specified. Strictly observe the following restrictions on them.

⚠ CAUTION

Using the robot beyond its specified load may result in degradation of movement performance and shortening of machine service life. The load mass includes the tool mass such as hand, tool changer, shock absorber, etc. If using the robot in excess of its load capacity, first contact Kawasaki without fail.

The load torque and the moment of inertia can be calculated by the expression below:

Calculation Expression

Load mass : $M \leq M_{max}$ (kg)
(including workpiece)

Load torque : $T = 9.8 \cdot M \cdot L$ (N·m)

Load moment of inertia: $I = M \cdot L^2 + I_G$ (kg·m²)

M_{max} : Maximum load mass: Section 3.2

$L_{4,5}$: Length from JT4(5) axis rotation center to load center of gravity

I_G : Moment of inertia around center of gravity (Unit: kg·m²)

L : Length from axis rotation center to load center of gravity (Unit: m) (See the figure.)

L_6 : Length from JT6 axis rotation center to load center of gravity

If calculation of load is made by dividing the load into construction parts, such as tools and workpieces, use the total calculation values of each part as load torque and moment of inertia.

Regarding the load on the robot wrist section, meet the following restriction conditions:

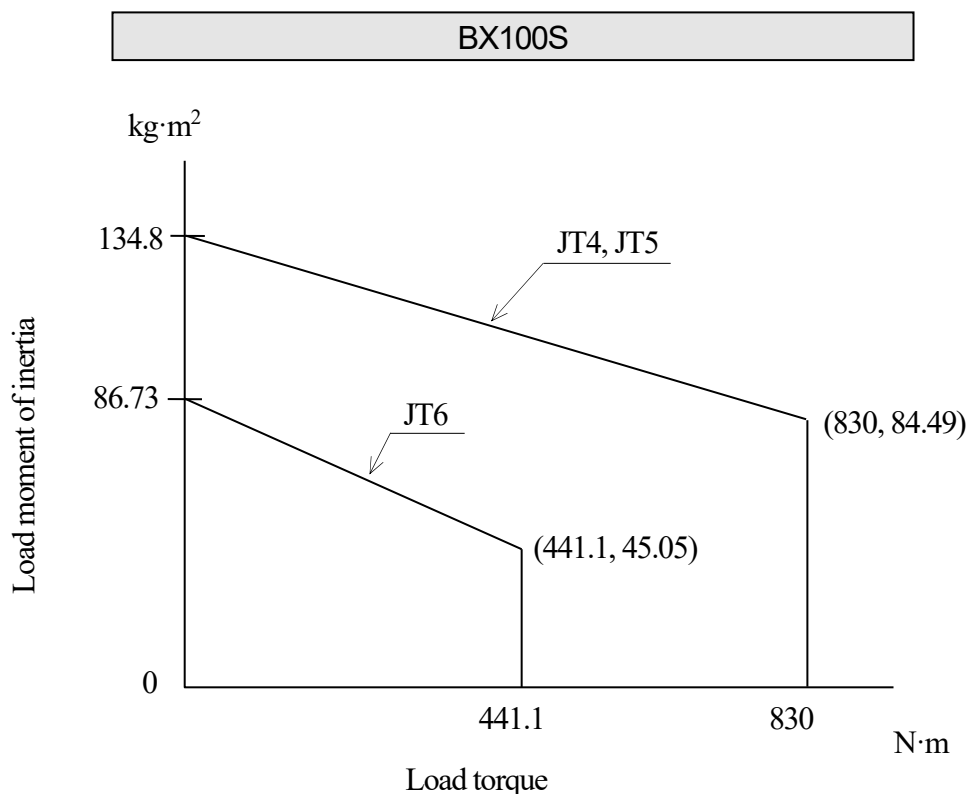
1. The load mass including tool mass should be less than the following value.

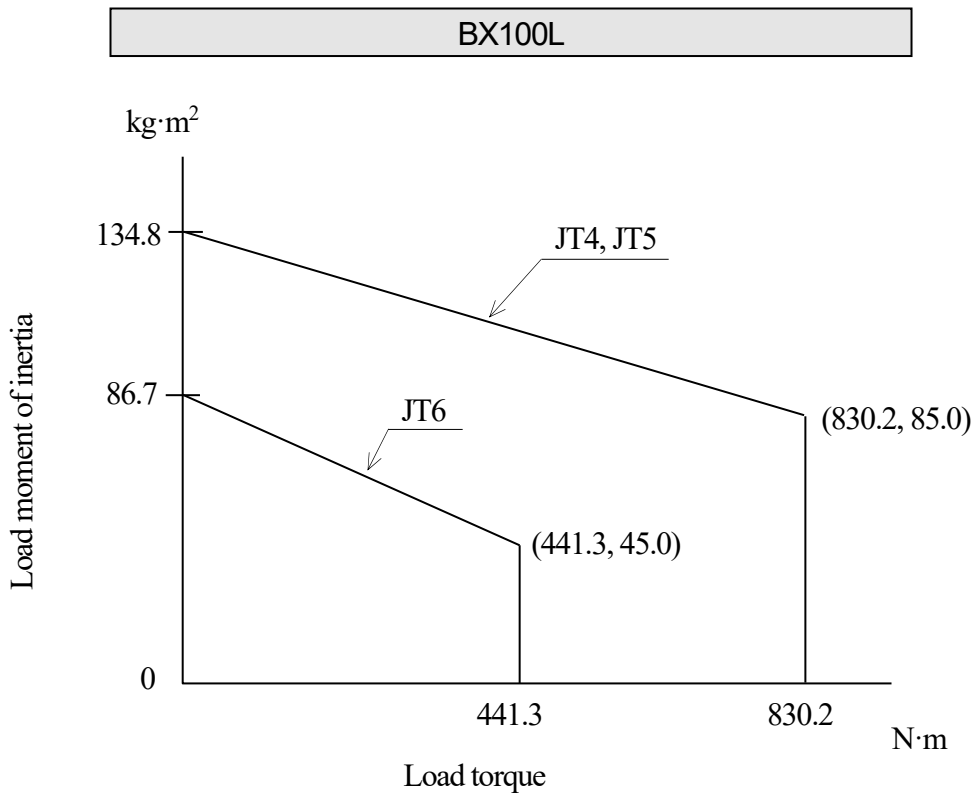
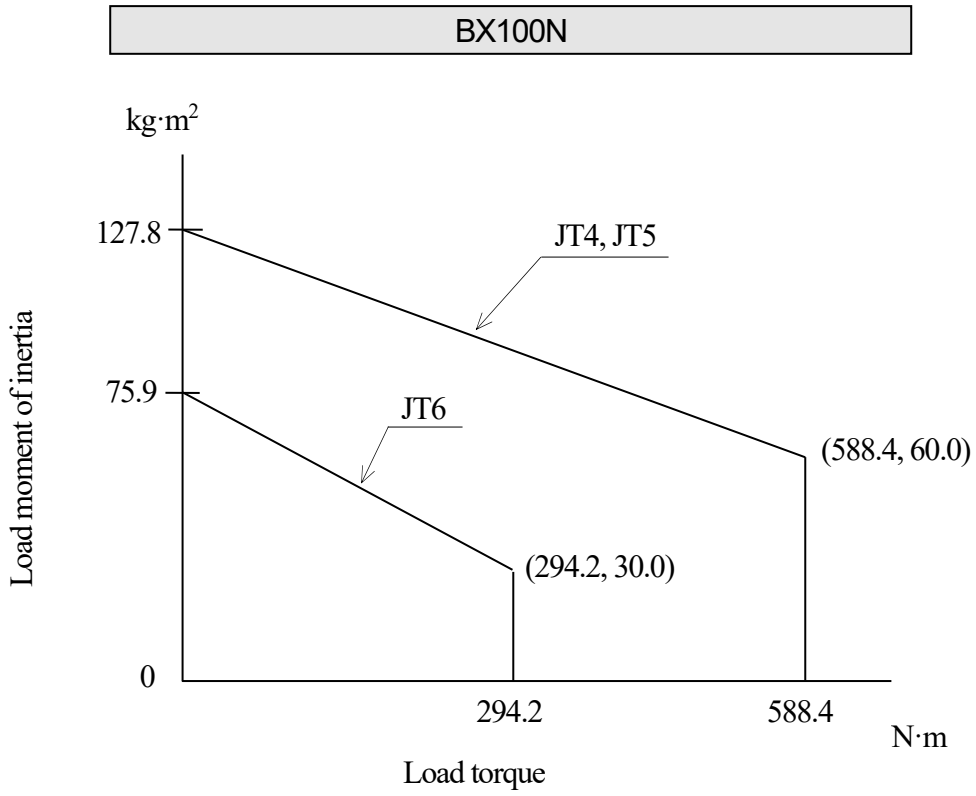
Model	Max. load mass
BX100S, BX100N, BX100L	100 kg
BX130X	130 kg
BX165N, BX165L, BT165L	165 kg
BX200L, BX200X, BT200L	200 kg
BX250L	250 kg
BX300L	300 kg

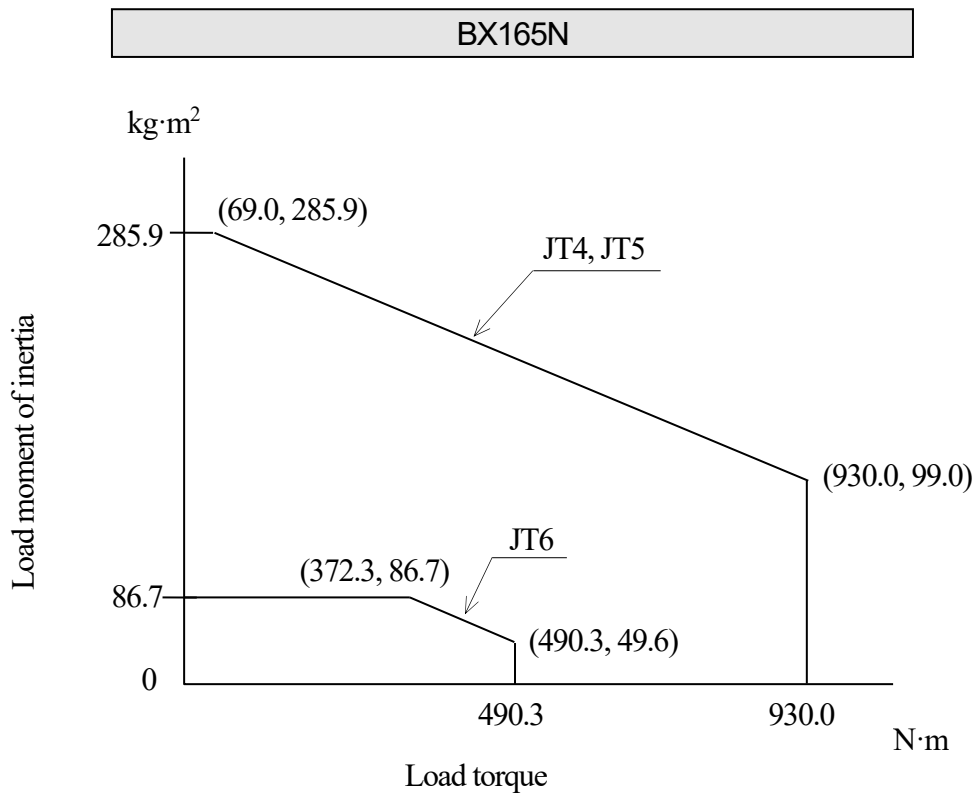
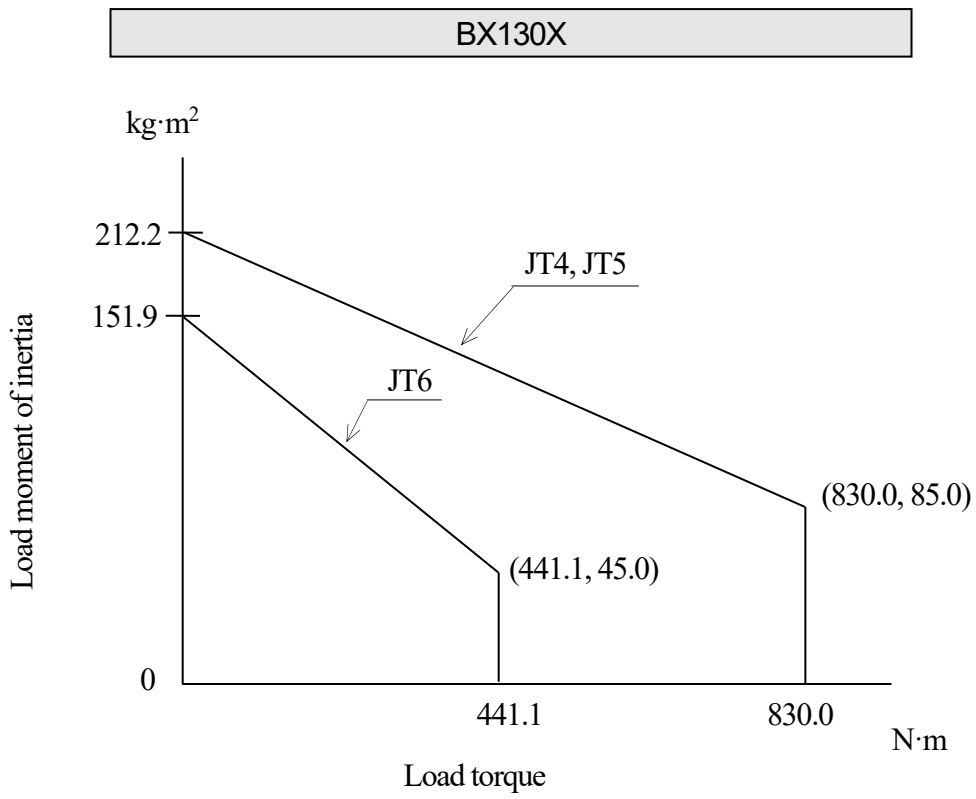
2. The load torque and the moment of inertia around each wrist axis (JT4, JT5, JT6) should be within the following restriction.

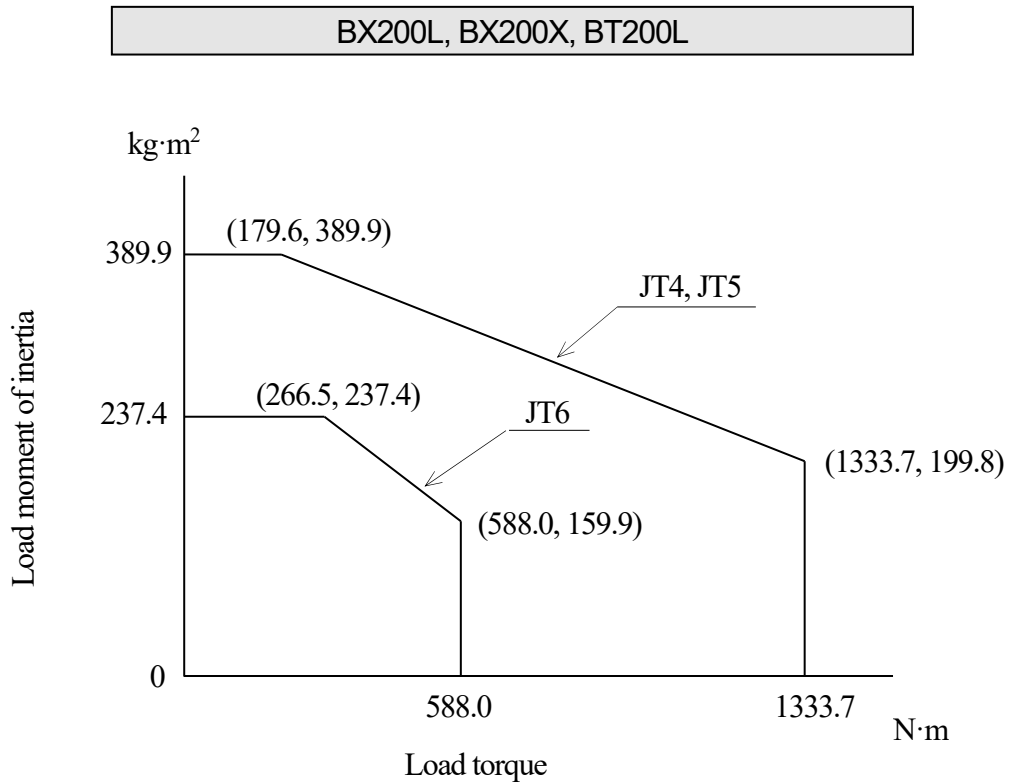
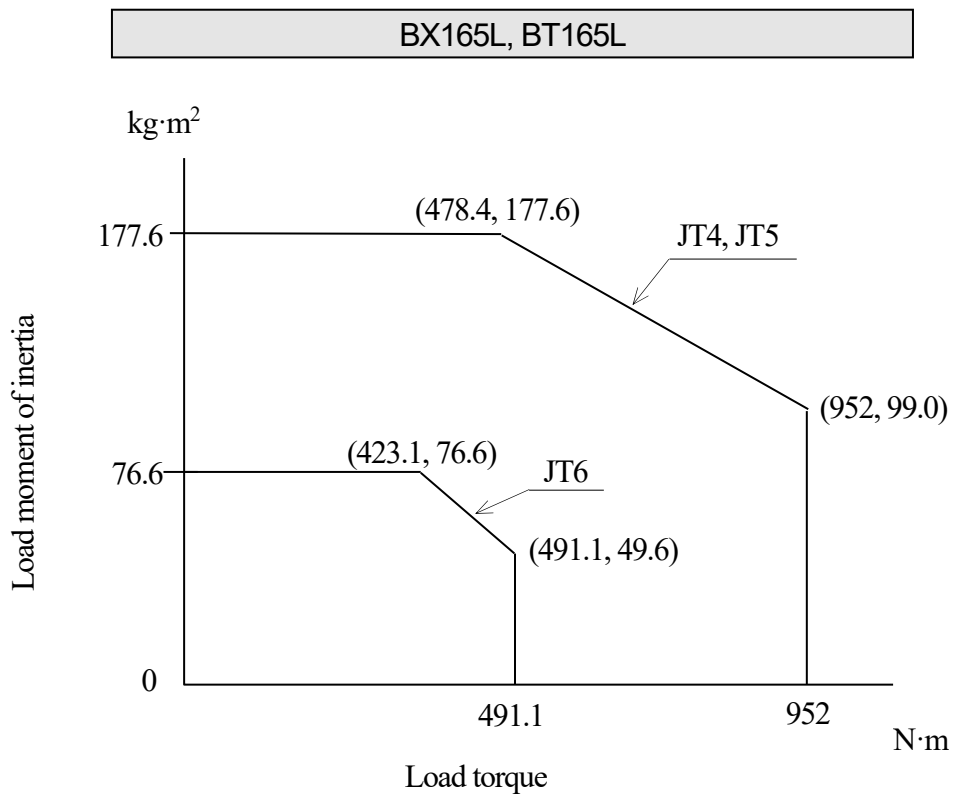
⚠ CAUTION

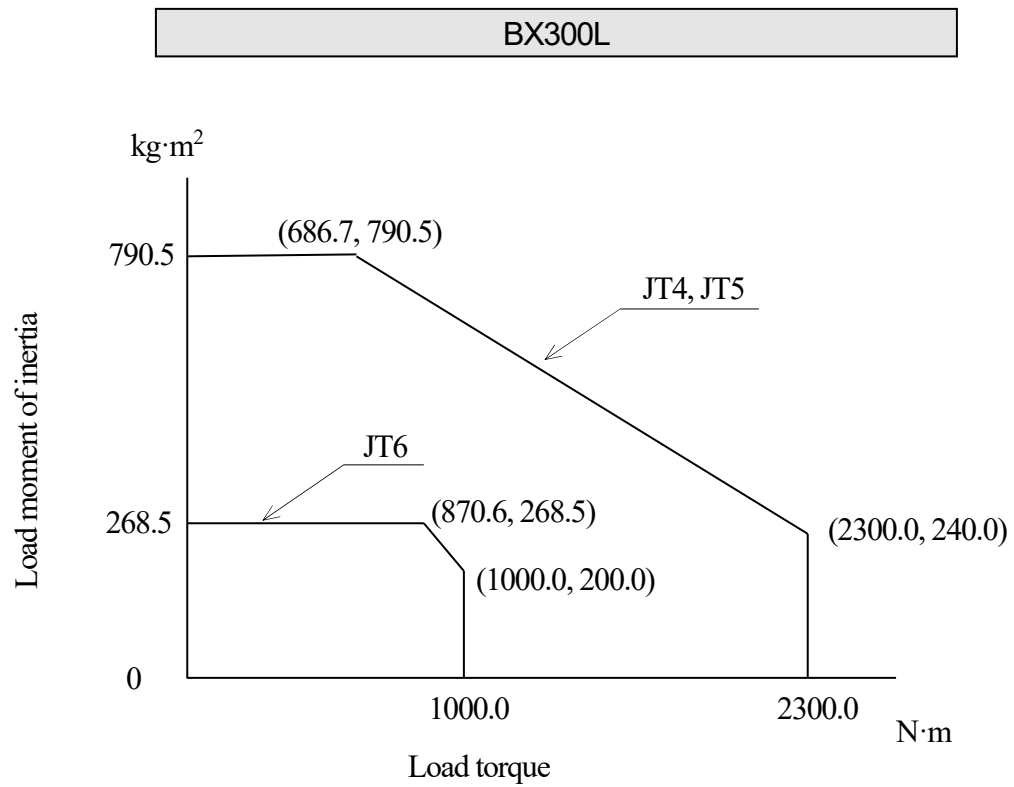
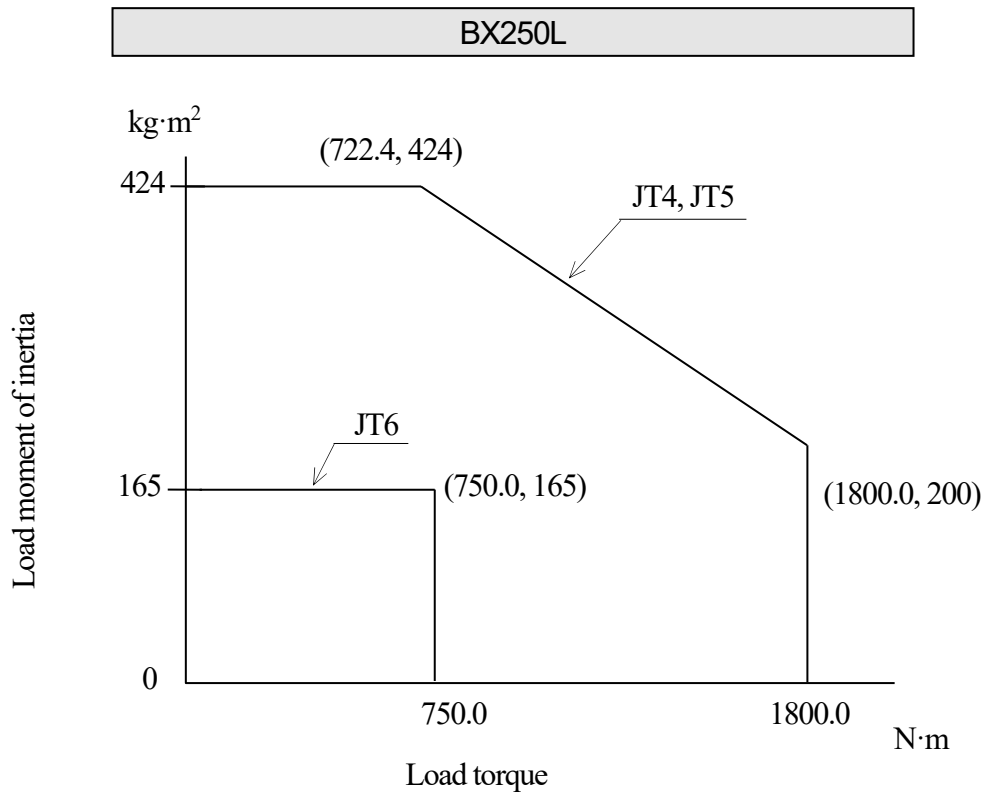
Set the load data via Auxiliary function 0304 after mounting of tools without fail. Operating robot with wrong settings may cause vibrations in motion, degradation of movement performance and shortening of machine service life.











9 Mounting External Equipment

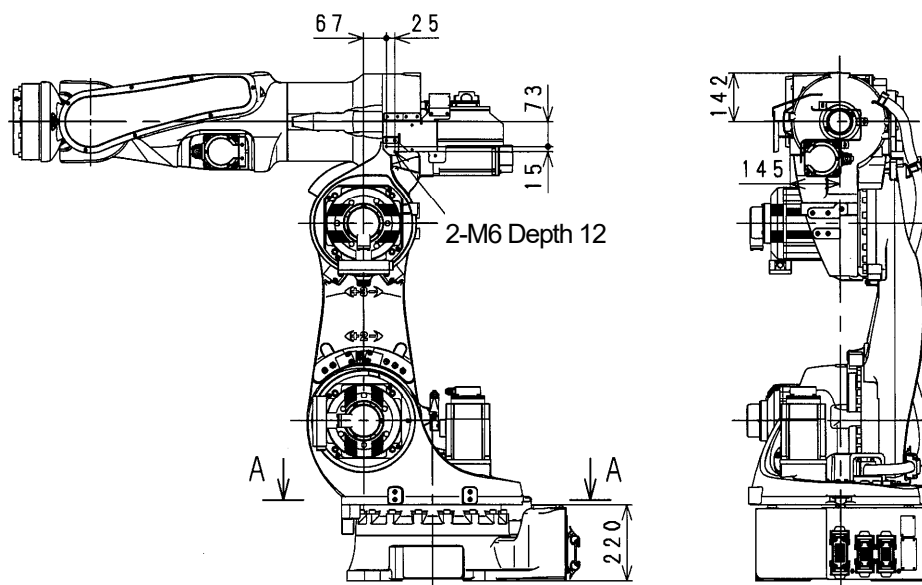
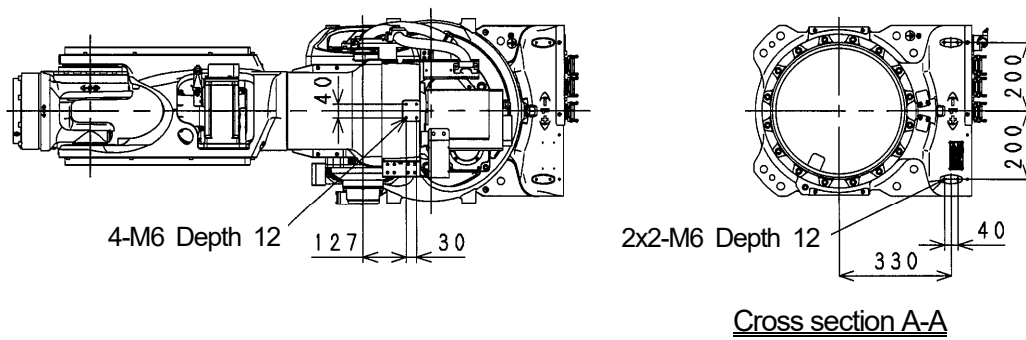
9.1 Service Tapped Hole Positions

Service tapped holes shown in the figure below are available to mount wiring brackets and external equipment on each part of robot arm.

⚠ CAUTION

Check the robot movement very carefully and confirm that mounted brackets and external equipment do not interfere with peripheral equipment and robot arm itself.

BX100S

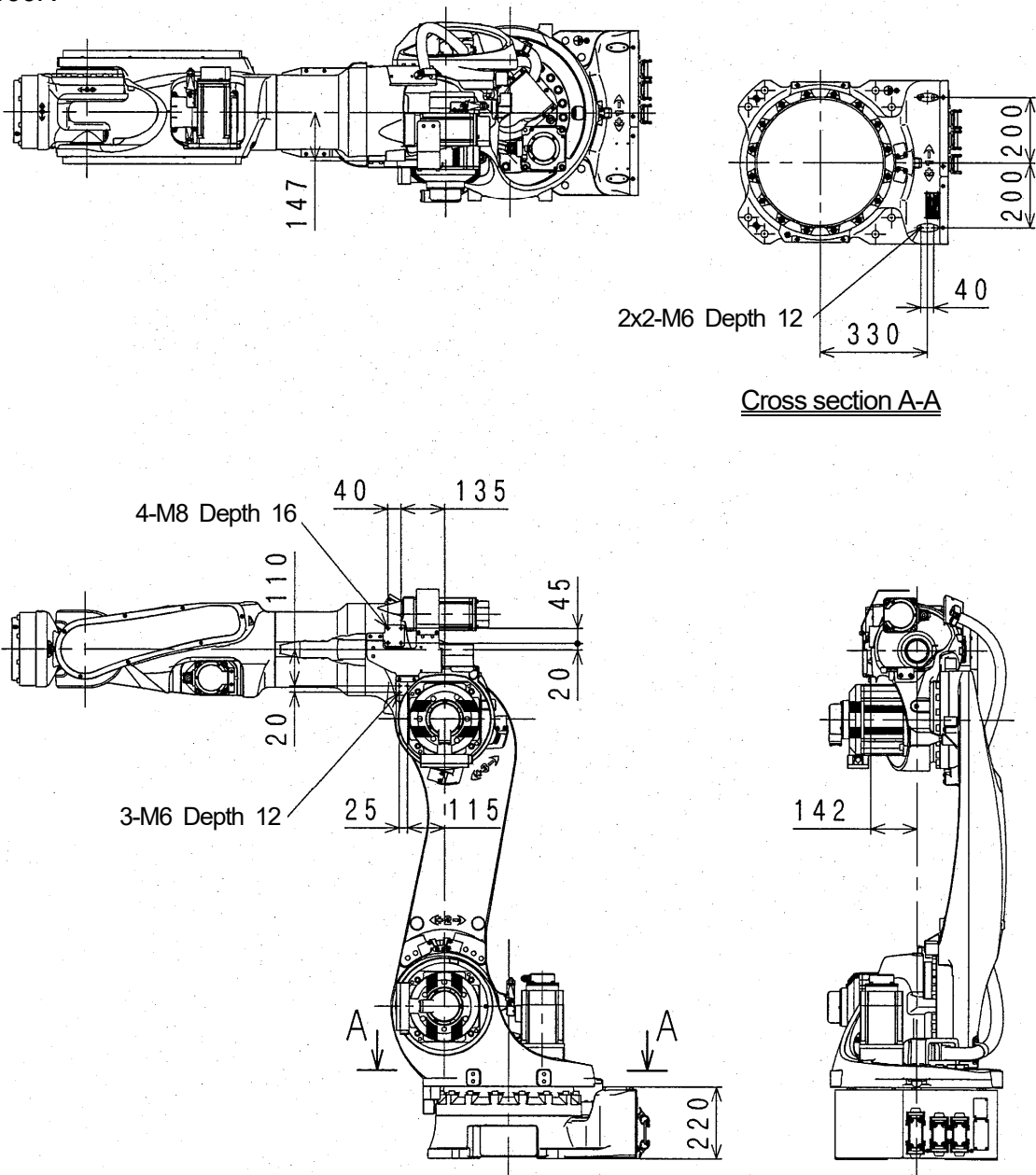


Service tapped holes shown in the figure below are available to mount wiring brackets and external equipment on each part of robot arm.

⚠ CAUTION

Check the robot movement very carefully and confirm that mounted brackets and external equipment do not interfere with peripheral equipment and robot arm itself.

BX100N

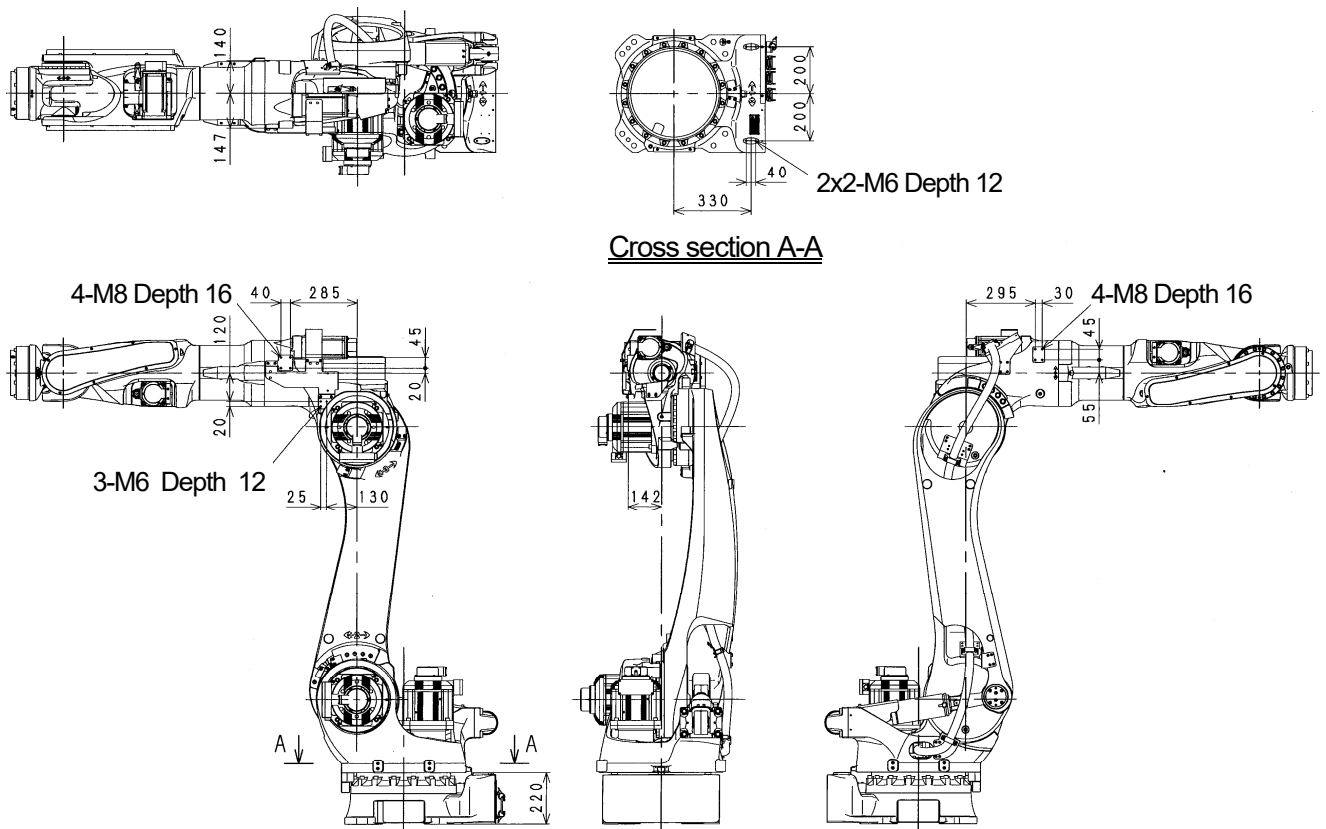


Service tapped holes shown in the figure below are available to mount wiring brackets and external equipment on each part of robot arm.

⚠ CAUTION

Check the robot movement very carefully and confirm that mounted brackets and external equipment do not interfere with peripheral equipment and robot arm itself.

BX100L, BX130X, BX165N, BX165L, BX200L

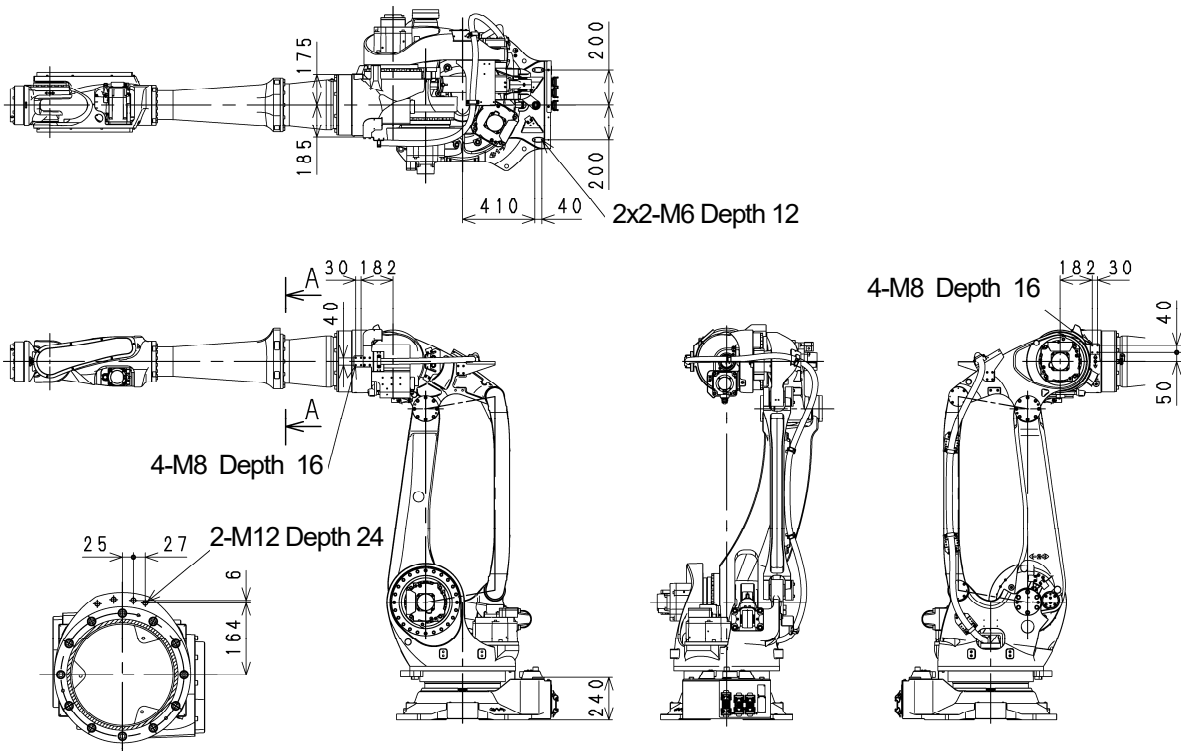


Service tapped holes shown in the figure below are available to mount wiring brackets and external equipment on each part of robot arm.

⚠ CAUTION

Check the robot movement very carefully and confirm that mounted brackets and external equipment do not interfere with peripheral equipment and robot arm itself.

BX200X

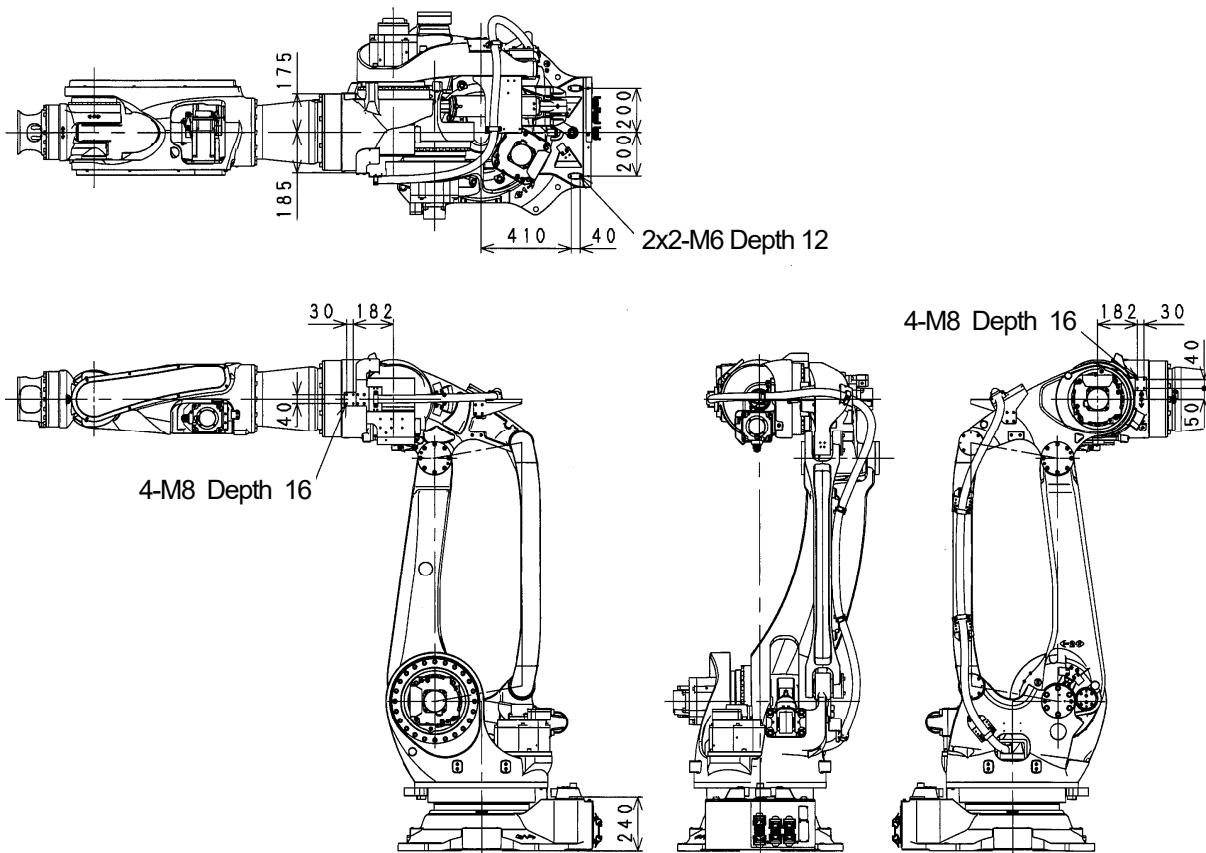


Cross section A-A

Service tapped holes shown in the figure below are available to mount wiring brackets and external equipment on each part of robot arm.

⚠ CAUTION
Check the robot movement very carefully and confirm that mounted brackets and external equipment do not interfere with peripheral equipment and robot arm itself.

BX250L, BX300L

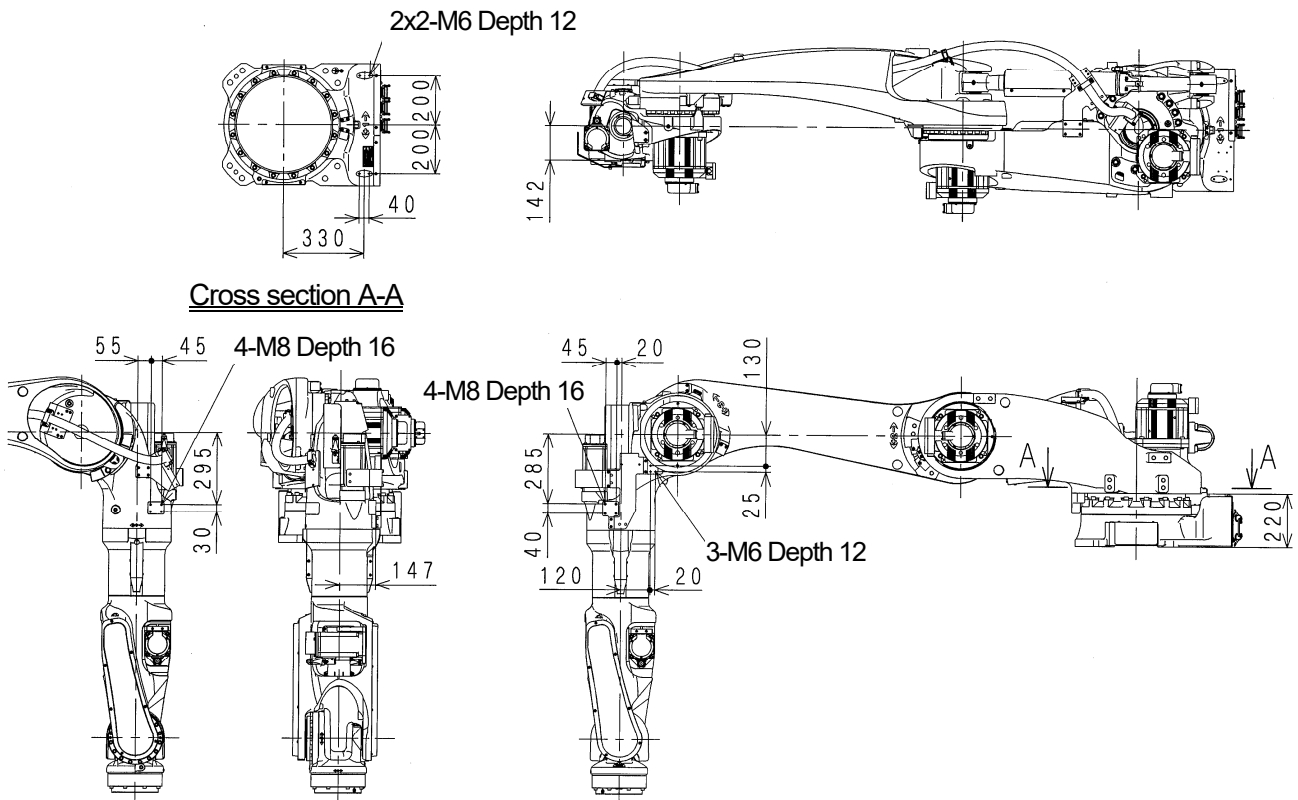


Service tapped holes shown in the figure below are available to mount wiring brackets and external equipment on each part of robot arm.

⚠ CAUTION

Check the robot movement very carefully and confirm that mounted brackets and external equipment do not interfere with peripheral equipment and robot arm itself.

BT165L, BT200L



9.2 Calculation of Load Caused by External Equipment

The load capacity is set for each arm model. Strictly observe the following restrictions of the load torque and load moment of inertia on arm.

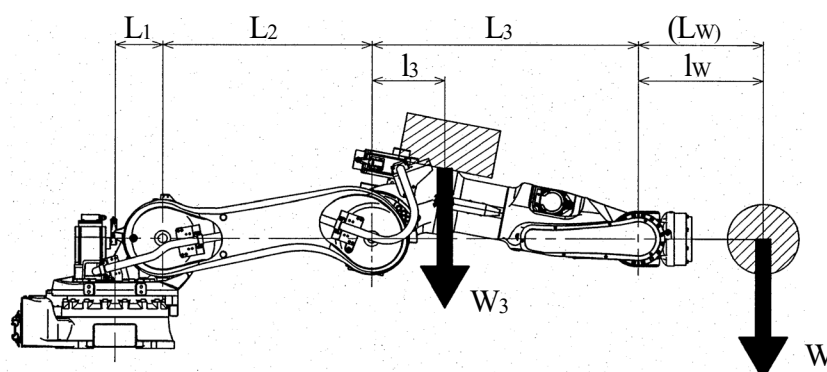
⚠ CAUTION

Using the robot beyond its specified load capacity may result in degradation of movement performance and shortening of machine service life. If the load exceeds load capacity, first contact Kawasaki without fail.

For JT2 and JT3, limit the total load torque on wrist end and arm not to exceed the maximum allowable load torque. The load torque and the moment of inertia can be calculated by the expression below.

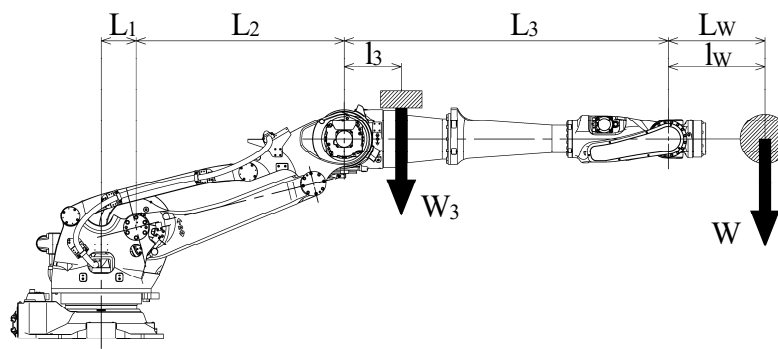
Calculation Expression

BX100S, BX100N, BX100L, BX130X, BX165N, BX165L, BX200L, BT165L, BT200L

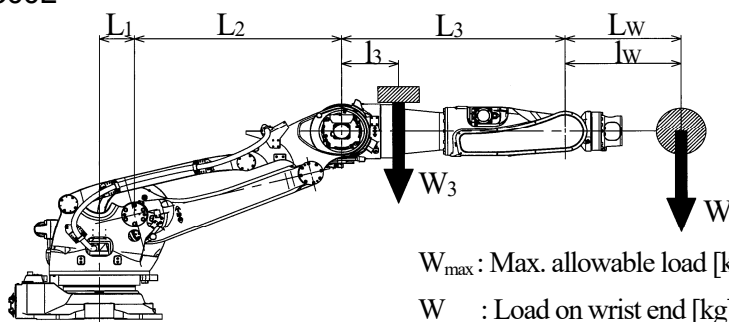


- JT3: $W(L_3+l_w)+W_3 \cdot l_3 \leq W_{\max}(L_3+L_w)$
- JT2: $W(L_2+L_3+l_w)+W_3(L_2+l_3) \leq W_{\max}(L_2+L_3+L_w)$

BX200X



BX250L, BX300L



W_{\max} : Max. allowable load [kg]

W : Load on wrist end [kg]

W_3 : Total load on upper arm [kg]

l_w : Length between wrist center and the gravity center of load on wrist section [mm]

L_w : Length between wrist center and gravity center of max. allowable load on wrist sect [mm]

l_3 : Length between JT2 rotation center and gravity center of total load on upper arm [mm]

$$\left\{ \begin{array}{l} \bullet \text{ JT3: } W(L_3+l_w)+W_3 \cdot l_3 \leq W_{\max}(L_3+L_w) \\ \bullet \text{ JT2: } W+W_3 \leq W_{\max} \end{array} \right.$$

Use data in the table below for calculation.

	L_1 [mm]	L_2 [mm]	L_3 [mm]	L_w [mm]	W_{\max} [kg]
BX100S	200	580	885	1171	100
BX100N	200	880	1120	600	100
BX100L	200	1126	1271	847	100
BX130X	200	1126	1666	651	130
BX165N	200	854	1271	575	165
BX165L	200	1126	1271	674	165
BX200L	200	1126	1271	680	200
BX200X	210	1252	1950	680	200
BX250L	210	1252	1350	766	250
BX300L	210	1252	1350	808	300
BT165L	720	1160	1271	674	165
BT200L	720	1160	1271	680	200

However, do not exceed the value below for W_3 .

$$W(L_1+L_2+L_3+l_w)+W_3(L_1+L_2+l_3) \leq W_{\max}(L_1+L_2+L_3+L_w)$$



CAUTION

W_3 , W , l_3 and l_w are set as default in shipment. When using a robot for the first time or when changing the load mass or the position of the gravity center of the load, set the W_3 , W , l_3 and l_w via Auxiliary 0304 and 0404. Operating robot with wrong settings may cause vibrations in motion, degradation of movement performance and shortening of machine service life.



Kawasaki Robot B Series
Installation and Connection Manual

2012-02 : 1st Edition

2024-06 : 12th Edition

Publication : Kawasaki Heavy Industries, Ltd.

90202-1120DEL

Copyright © 2012 Kawasaki Heavy Industries, Ltd. All rights reserved.