



# Standard Specifications

## KJ125U-B

1st ed. 06-Mar-20  
3rd ed. 21-Oct-25

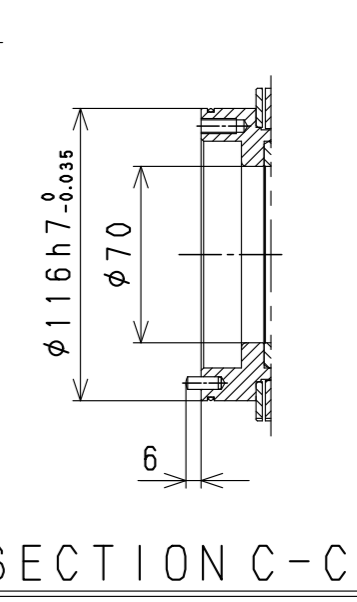
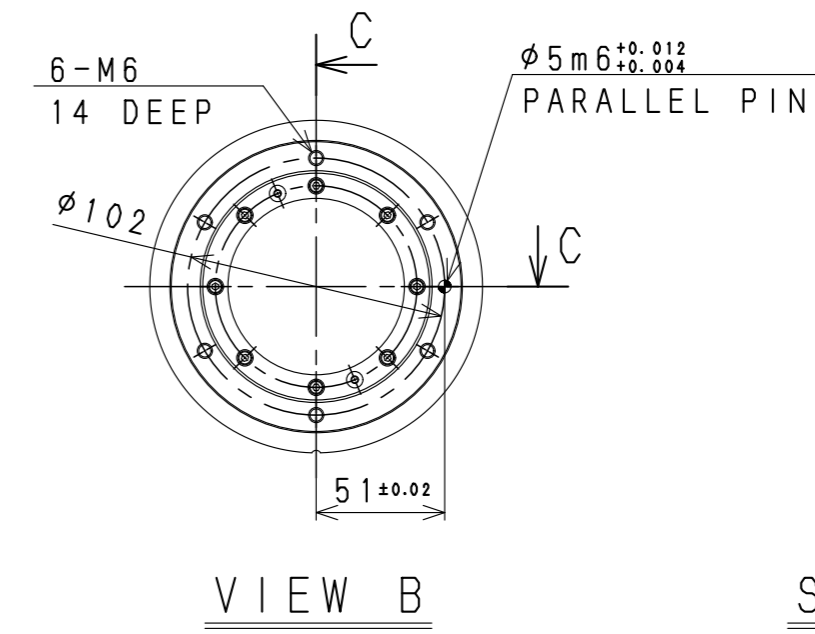
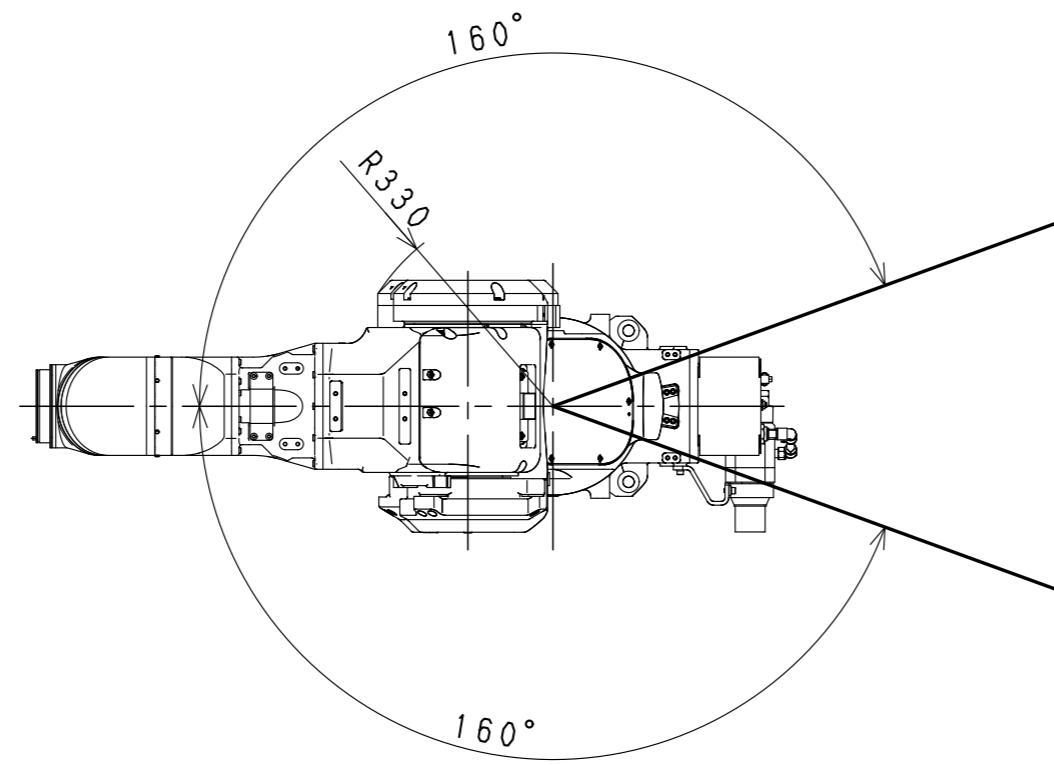
Kawasaki Heavy Industries, Ltd.  
Robot Business Division

Specification number : 90151-0271DEC

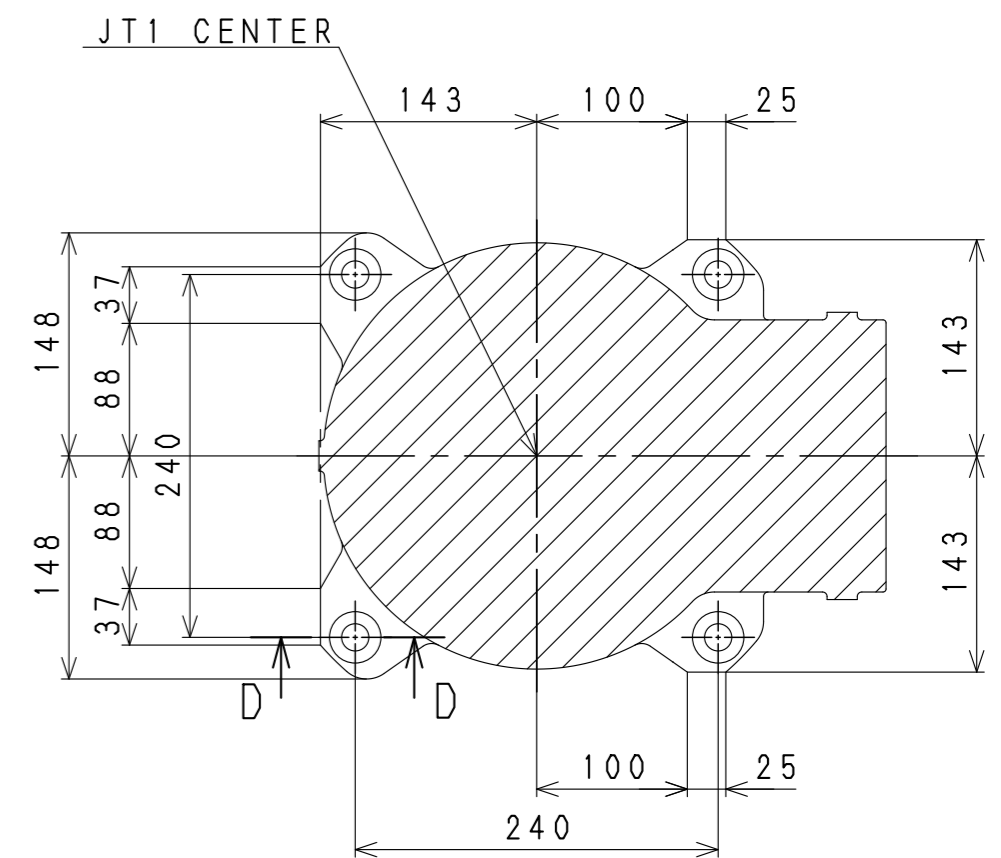
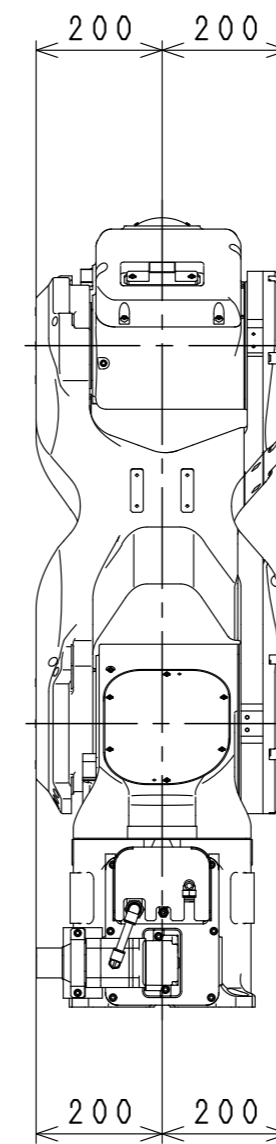
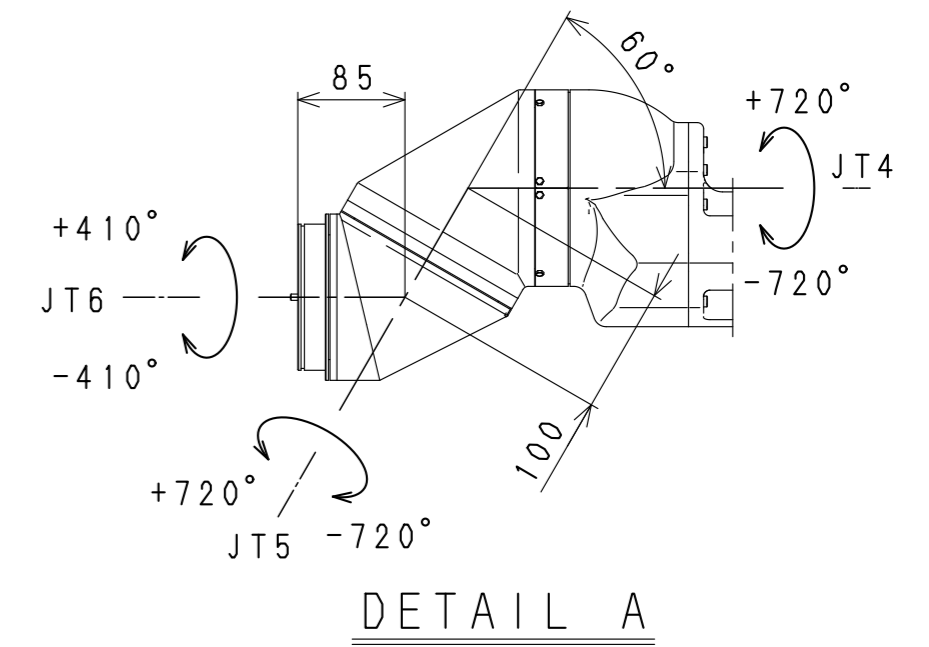
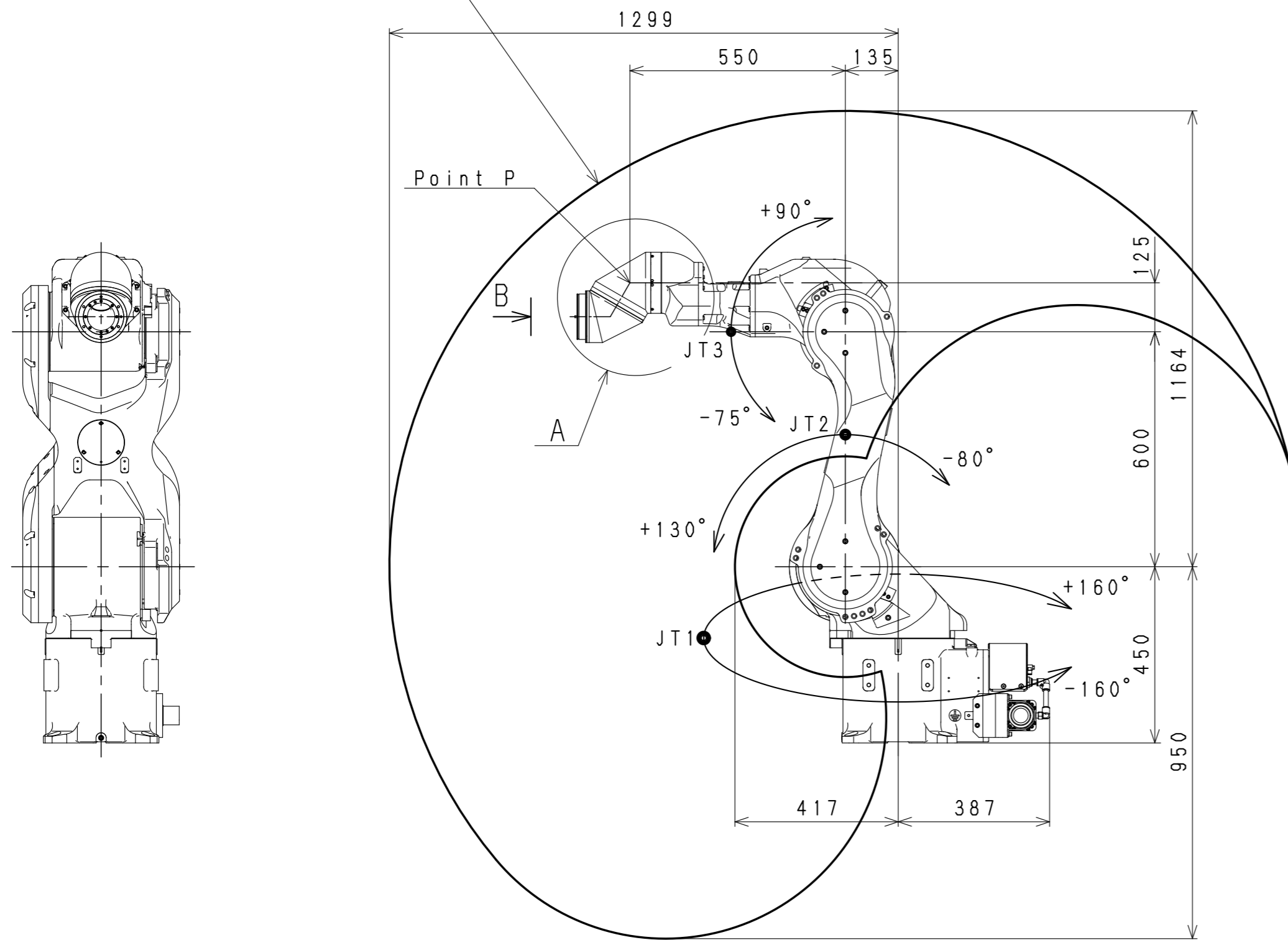
## Robot specifications

1. Model	Fix Installation	Flexible Installation	
	KJ125U-B4	KJ125U-B0	
2. Type	Articulated robot		
3. Degree of freedom	6 axes		
4. Max. payload	Wrist : 8 kg (at the tool mounting surface) Upper arm : 5 kg (including painting equipment in the pressurized chamber) Lower arm : 5 kg		
5. Max. reach	1,299 mm		
6. Position repeatability	±0.15 mm (wrist flange surface) conforms to ISO 9283		
7. Max. painting speed	1,500 mm/s (at the center of tool mounting surface)		
8. Axis specification	Operating axis	Motion range	
	Arm rotation (JT1)	±160 °	
	Arm out-in (JT2)	+130 ° - -80 °	
	Arm up-down (JT3)	+90 ° - -75 °	
	Wrist swivel (JT4)	±720 °	
	Wrist bend (JT5)	±720 °	
	Wrist twist (JT6)	±410 °	
9. Load capacity of wrist		Max. torque	Moment of inertia*
	JT4	21.8 N·m	0.90 kg·m <sup>2</sup>
	JT5	17.0 N·m	0.54 kg·m <sup>2</sup>
	JT6	8.0 N·m	0.12 kg·m <sup>2</sup>
	Note* Each value in this table shows allowable moment of inertia of JT4/JT5/JT6 when max. allowed torque is applied to each axis. If more detailed data is required for your application, please contact Kawasaki.		
10. Mass	190 kg (without options)		
11. Mounting	Floor or Wall or Ceiling mounting		
12. Installation Environment	Ambient Temperature: 0 - 40 °C		
	Relative Humidity: 35 - 85 % (with no dew condensation)		
13. Color	Munsell 10GY9/1 equivalent		
14. Explosion proof	Pressurized and intrinsically safe		
15. Air supply to the manipulator	Clean & dry air	0.5 Nm <sup>3</sup> /min, 0.4 - 0.7 MPa	
	Dew point	-17 °C or less at atmospheric pressure	
	Solid material	0.01 μm or less	
	Oil content	Mist separation 99.9999% or more	
16. Options	Mechanical stopper	Adjustable stoppers JT1/JT2/JT3	
	Painting equipment	Solenoid valve for painting (up to 1 units can be equipped with)	

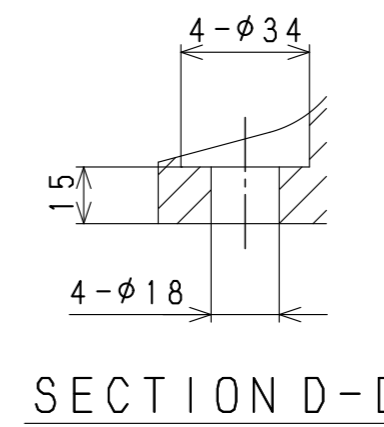
Consult Kawasaki about maintenance parts and spare parts.



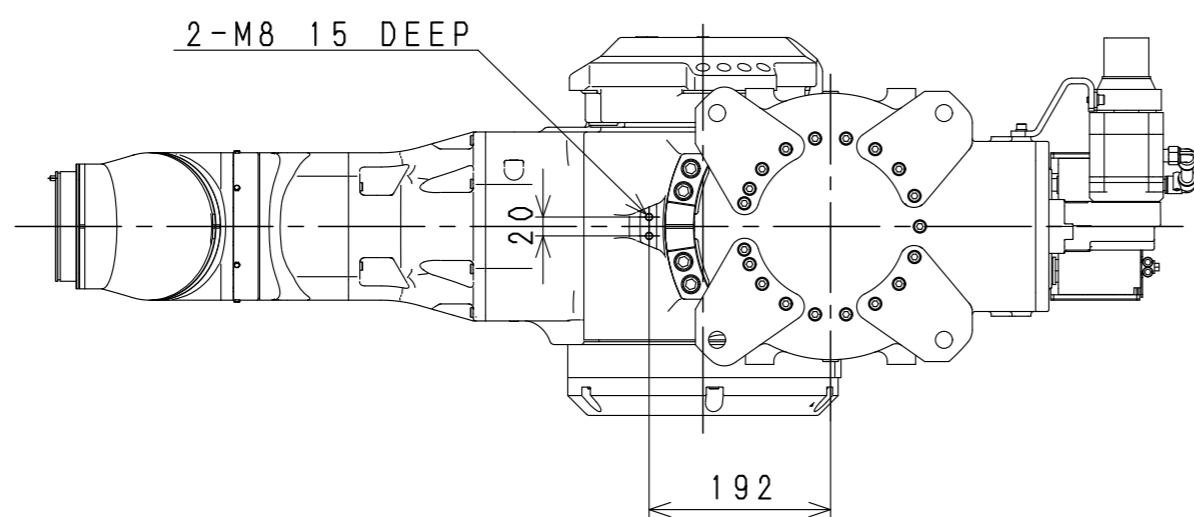
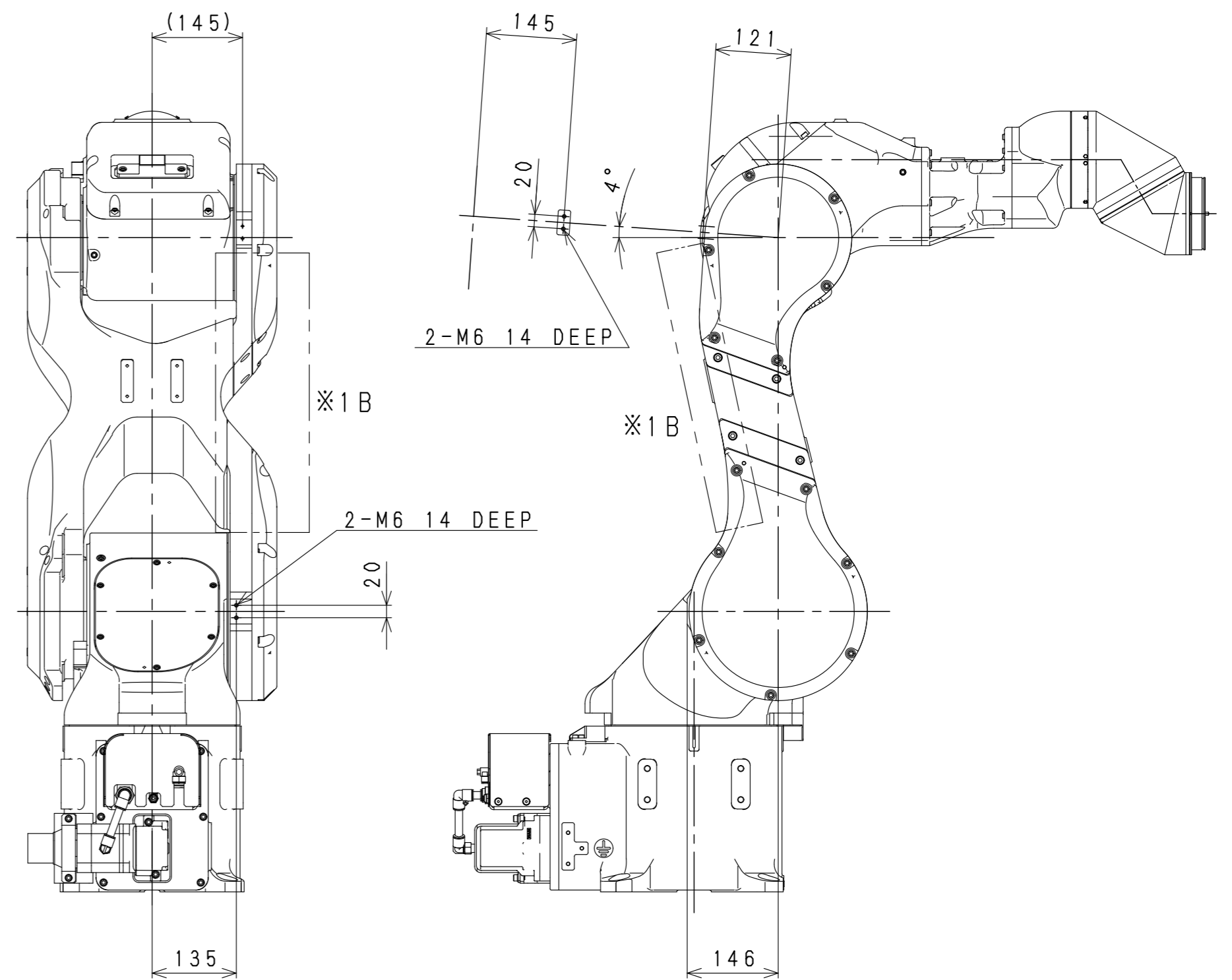
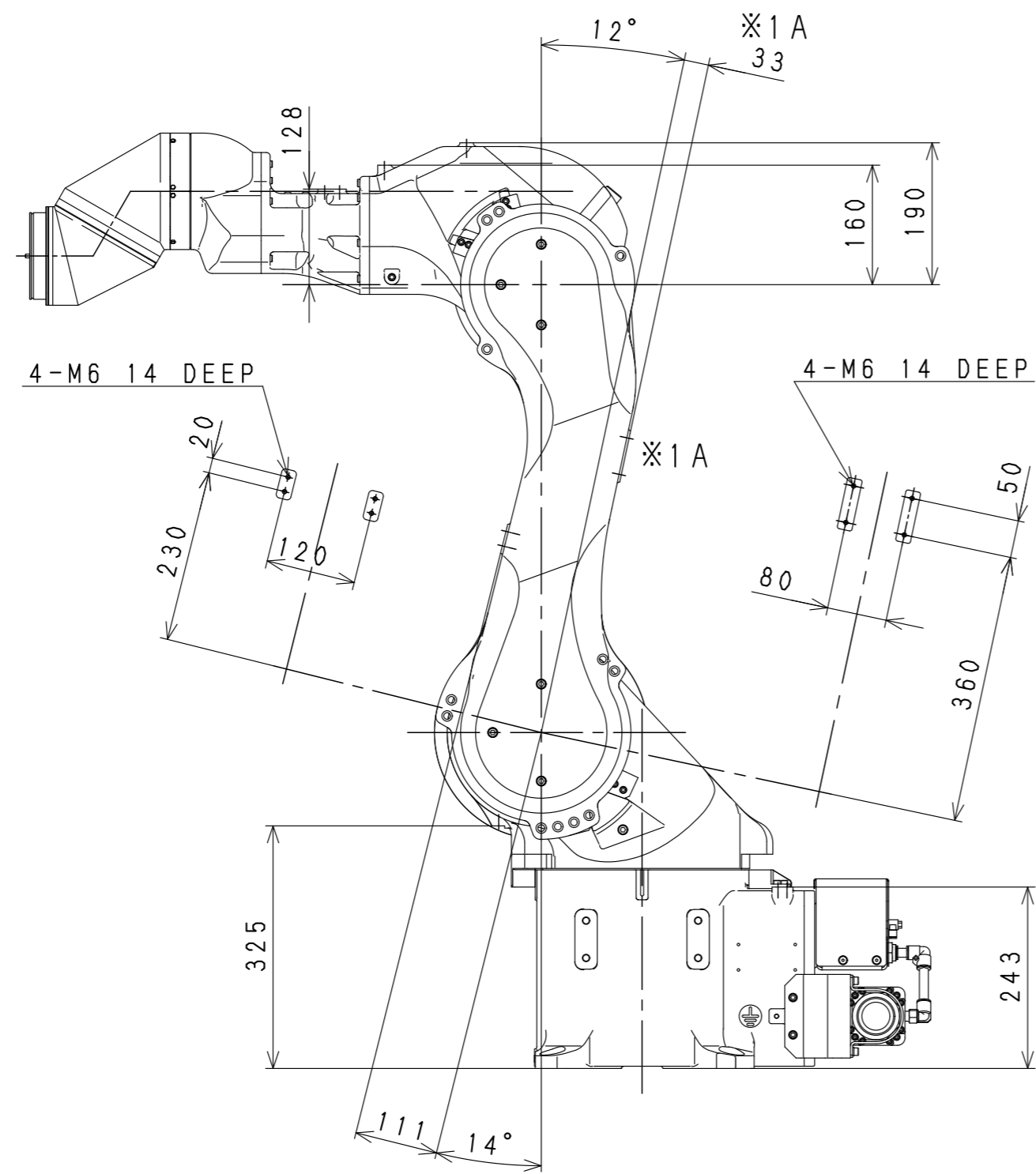
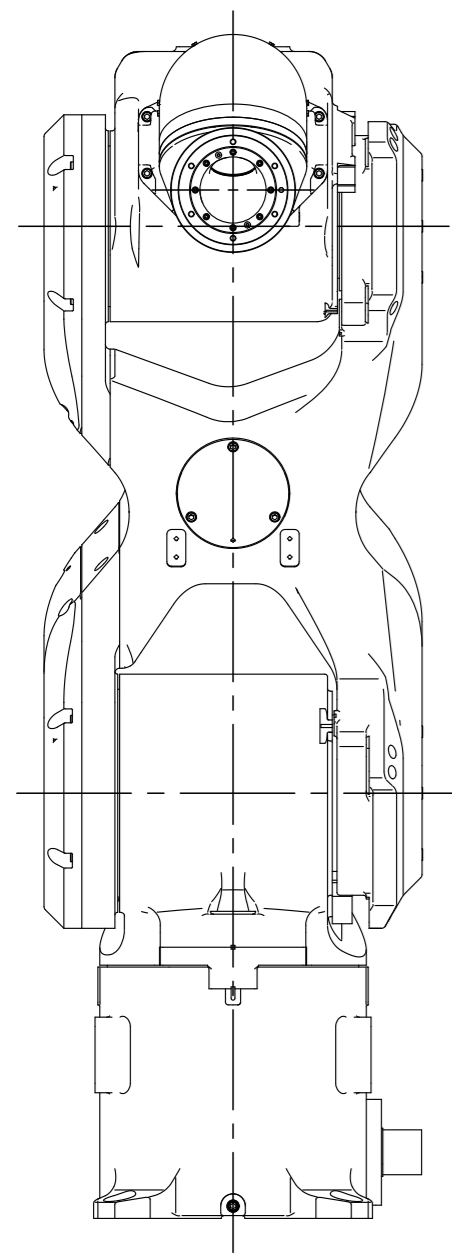
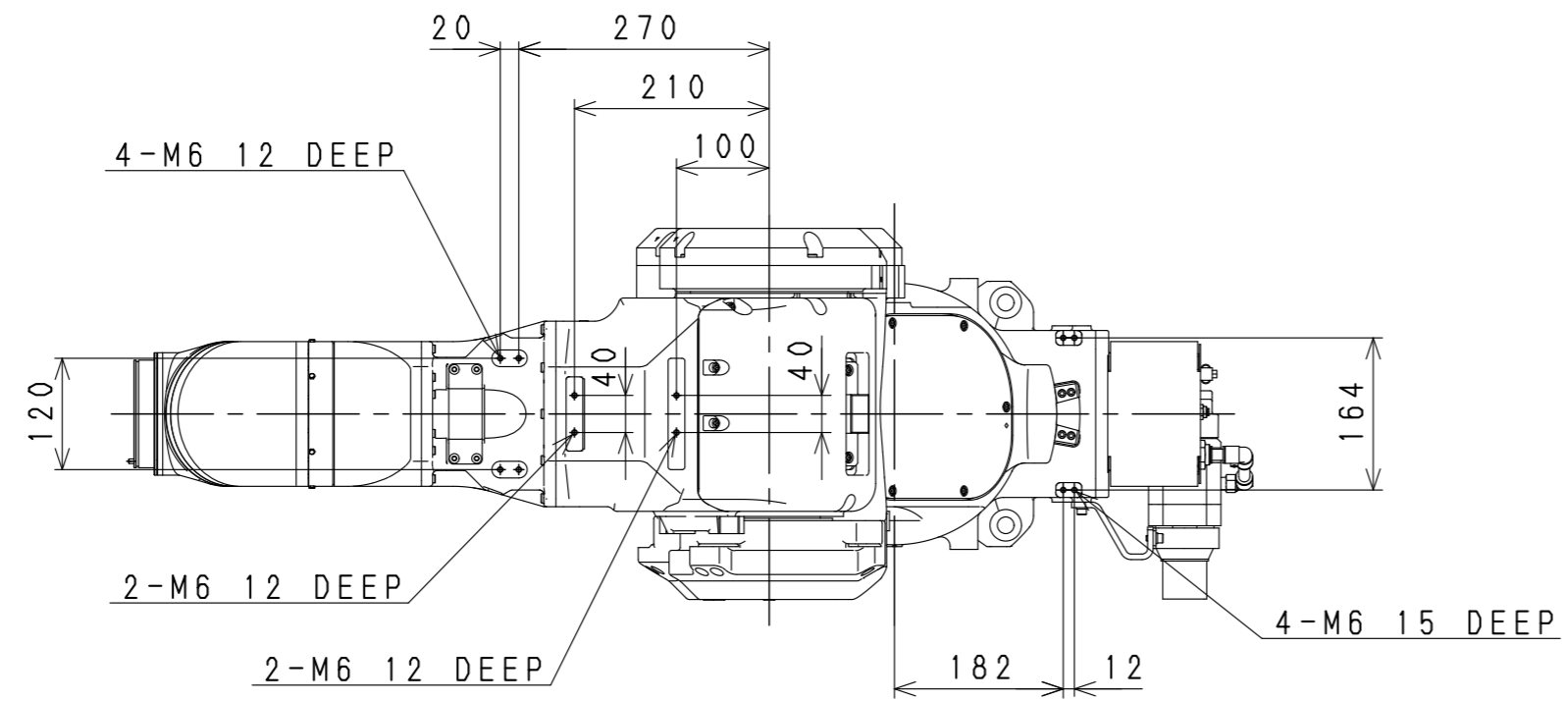
Working range based on point P



Base Installation Dimensions



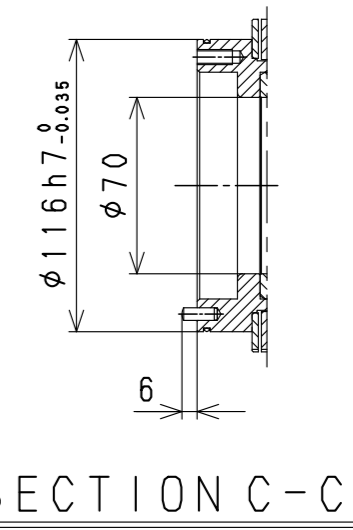
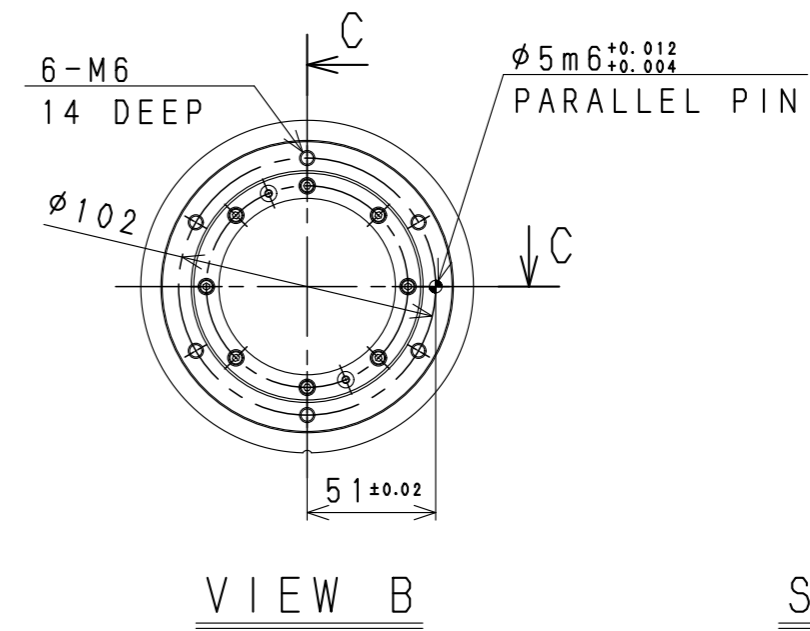
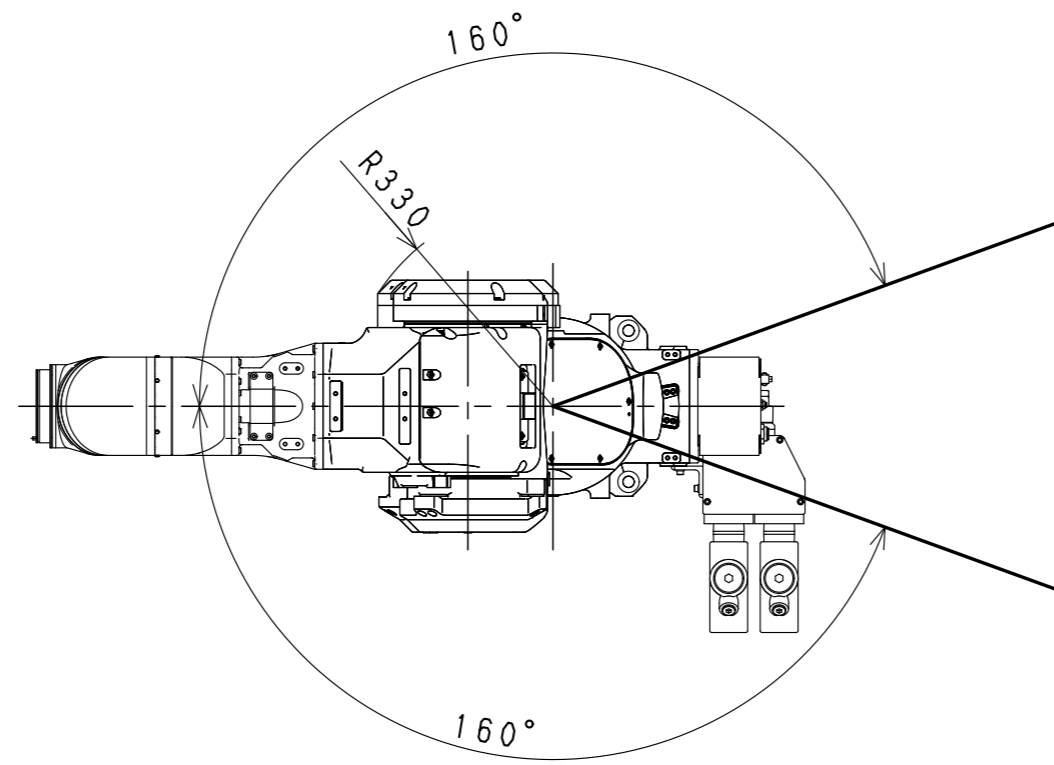
KJ125U-B4  
(FIX INSTALLATION)  
WORKING RANGE



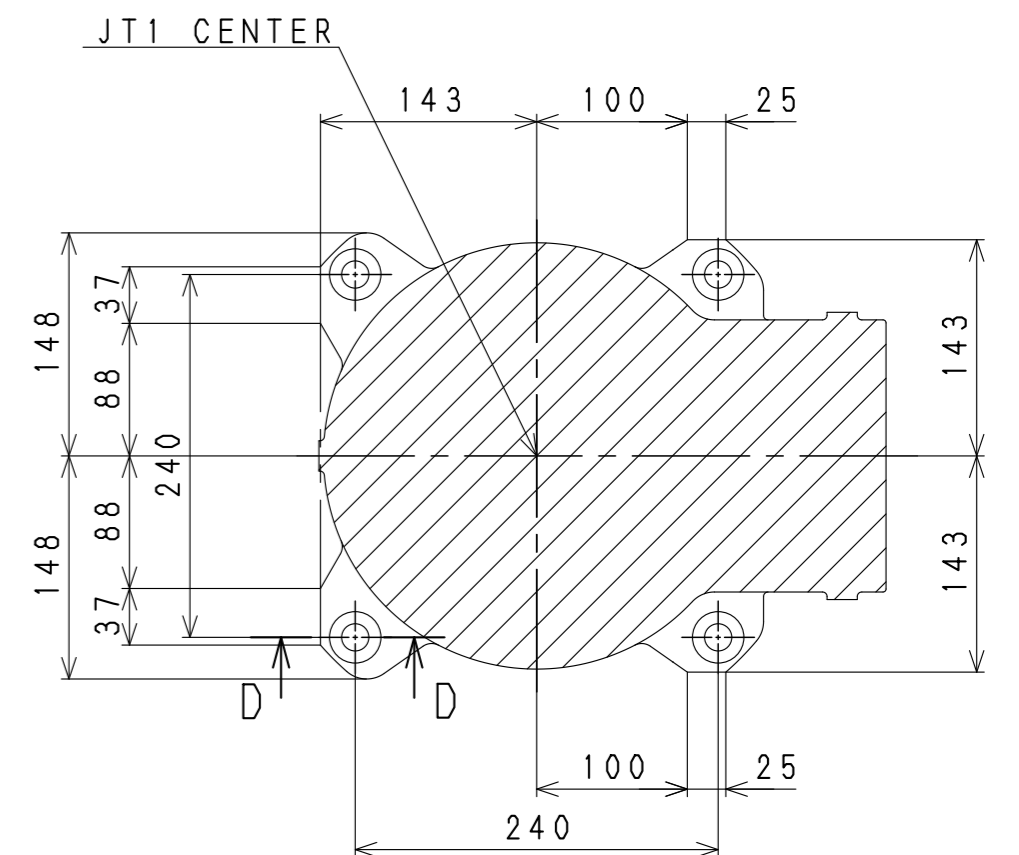
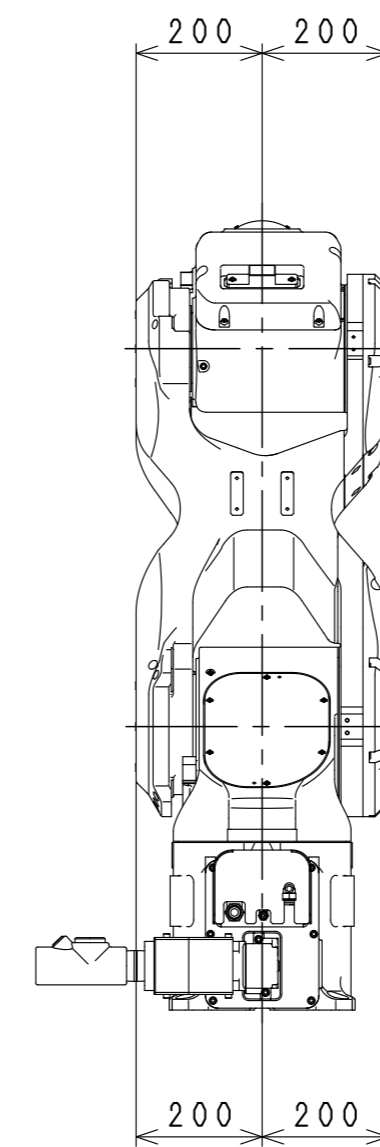
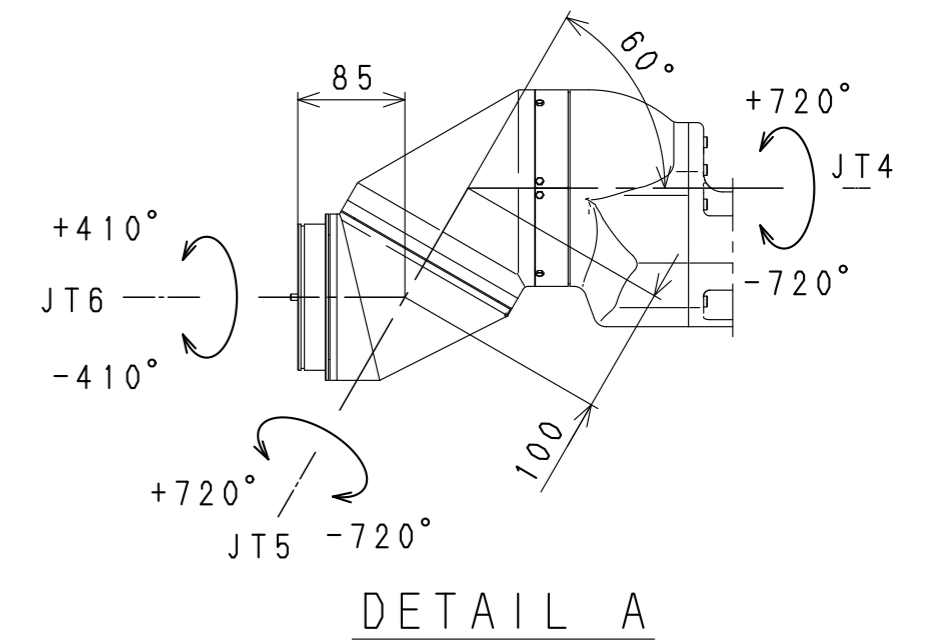
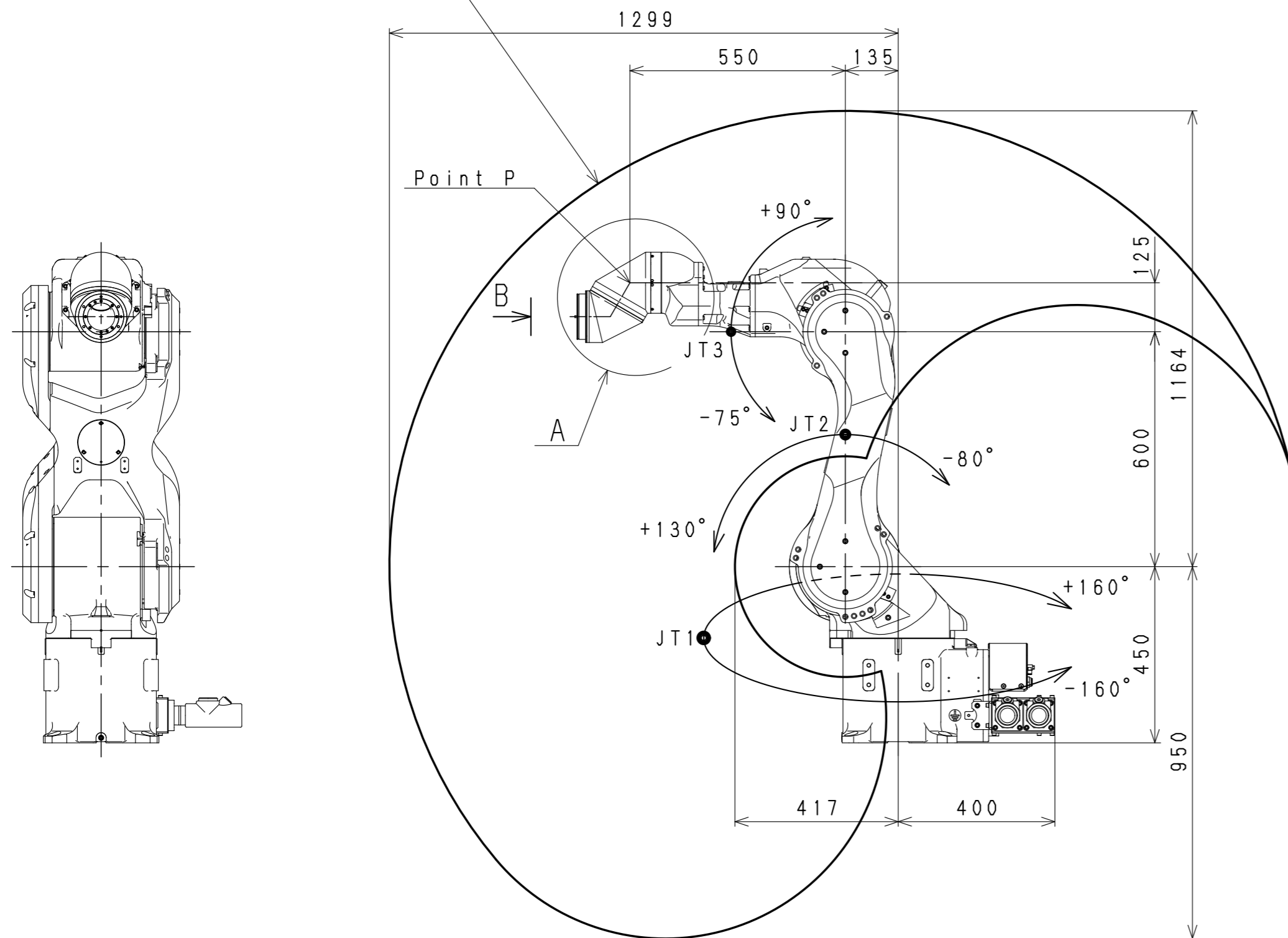
※1  
 ※1Bは部品の接合部であり、実機と上図の外形にズレが生じることがあります。  
 ※1Aに固定するブラケットが、※1Bの近くに位置する場合は、ブラケットと  
 ※1Bの間に十分なクリアランスを設けてください。

Near by ※1B, there may be a gap between the actual shape  
 and drawing shape.  
 When you fix a bracket near ※1B, please provide enough  
 clearance between the bracket and ※1B.

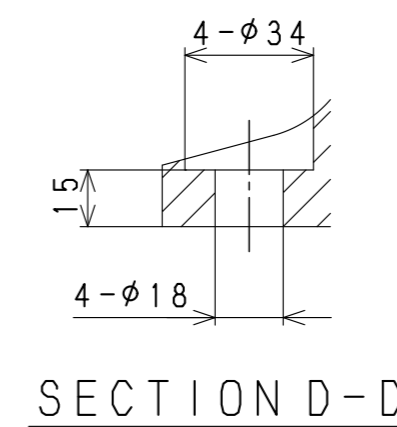
KJ125U-B4  
 (FIX INSTALLATION)  
 SERVICE TAP LOCATION



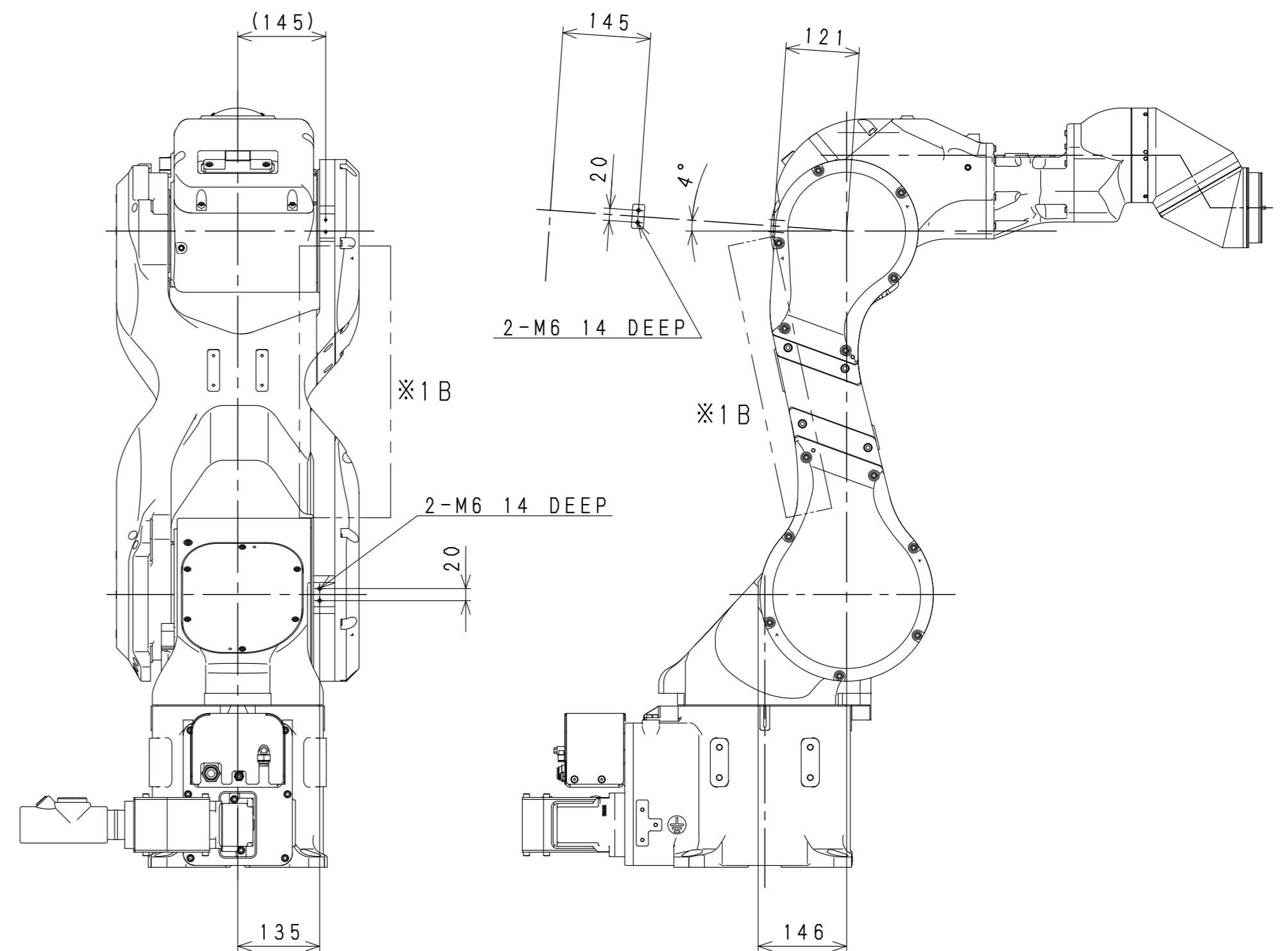
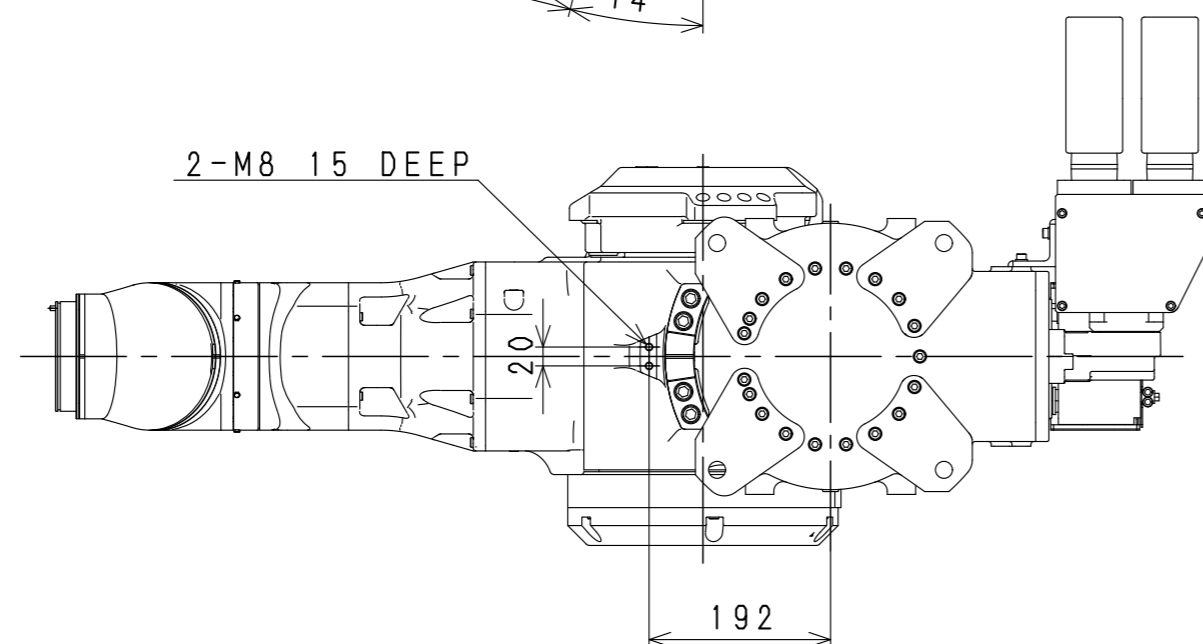
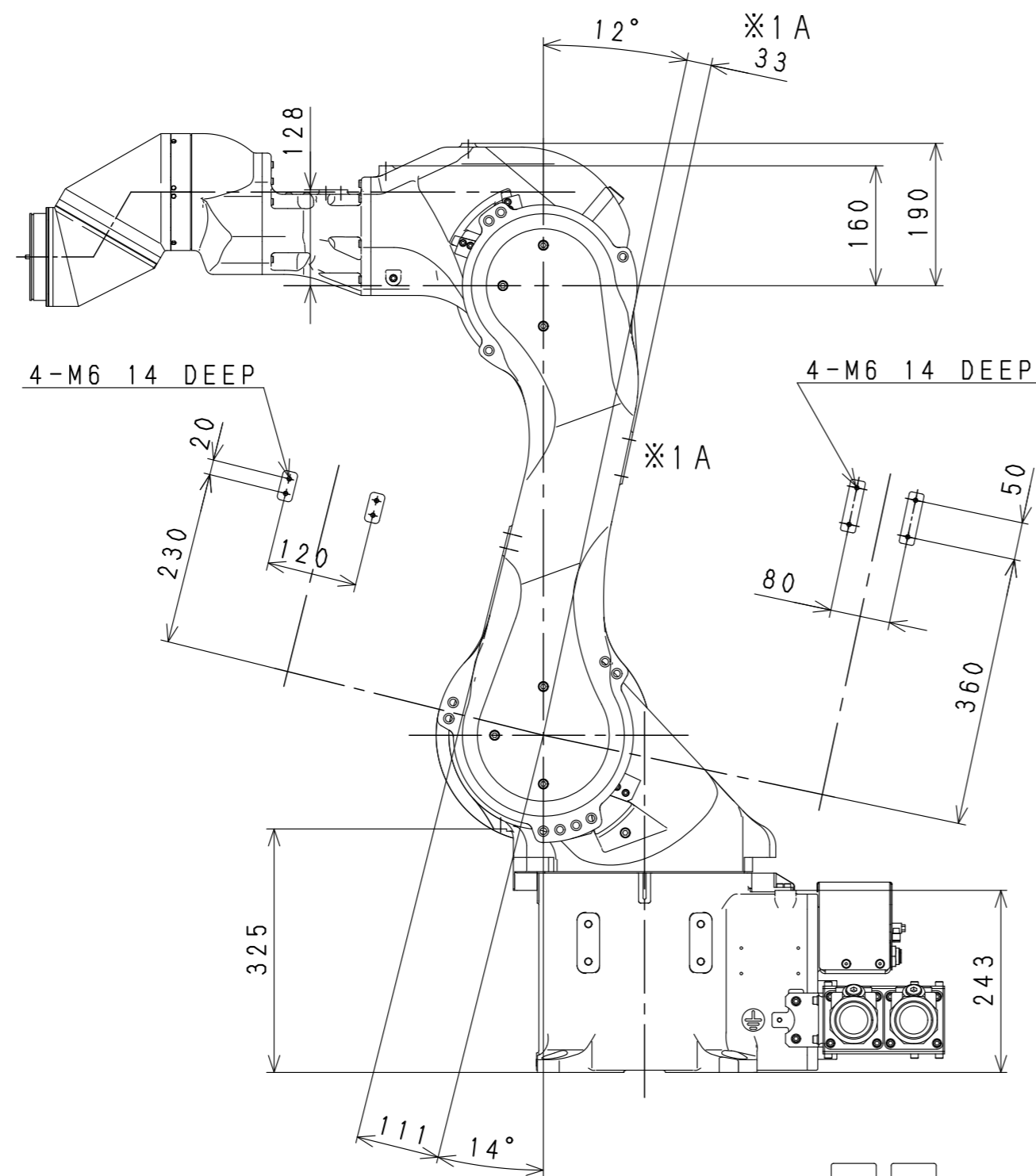
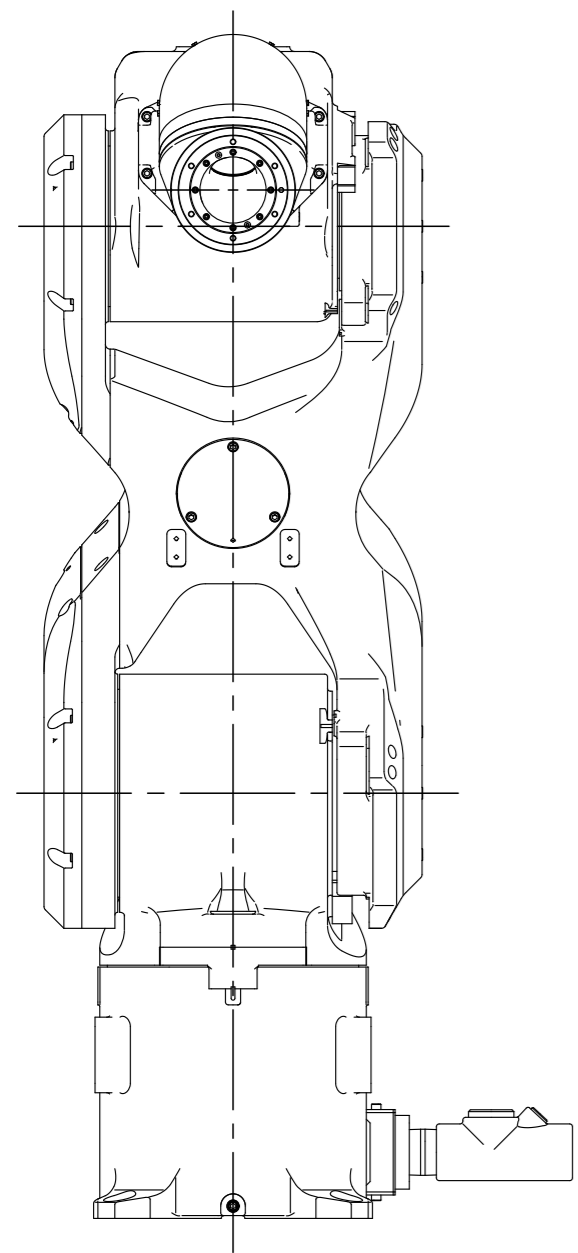
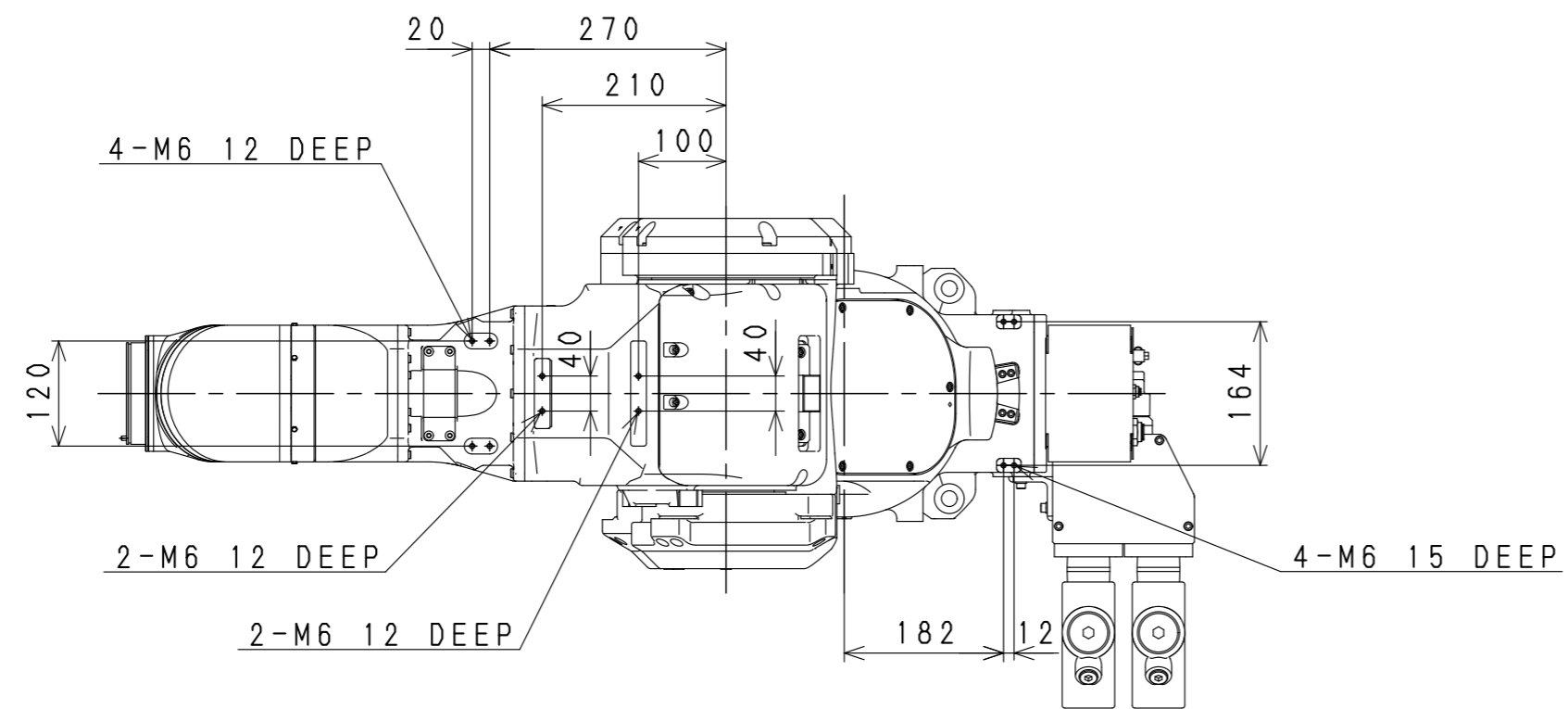
Working range based on point P



Base Installation Dimensions



KJ125U-B0  
( FLEXIBLE INSTALLATION )  
WORKING RANGE



※1

※1Bは部品の接合部であり、実機と上図の外形にズレが生じることがあります。  
 ※1Aに固定するブラケットが、※1Bの近くに位置する場合は、ブラケットと  
 ※1Bの間に十分なクリアランスを設けてください。

Near by ※1B, there may be a gap between the actual shape  
 and drawing shape.  
 When you fix a bracket near ※1B, please provide enough  
 clearance between the bracket and ※1B.

KJ125U-B0  
 ( FLEXIBLE INSTALLATION )  
 SERVICE TAP LOCATION