



# Standard Specifications

## MG10HL-B

1st ed. 15-Nov-16

5th ed. 09-Sep-22

Kawasaki Heavy Industries, Ltd.  
Robot Business Division

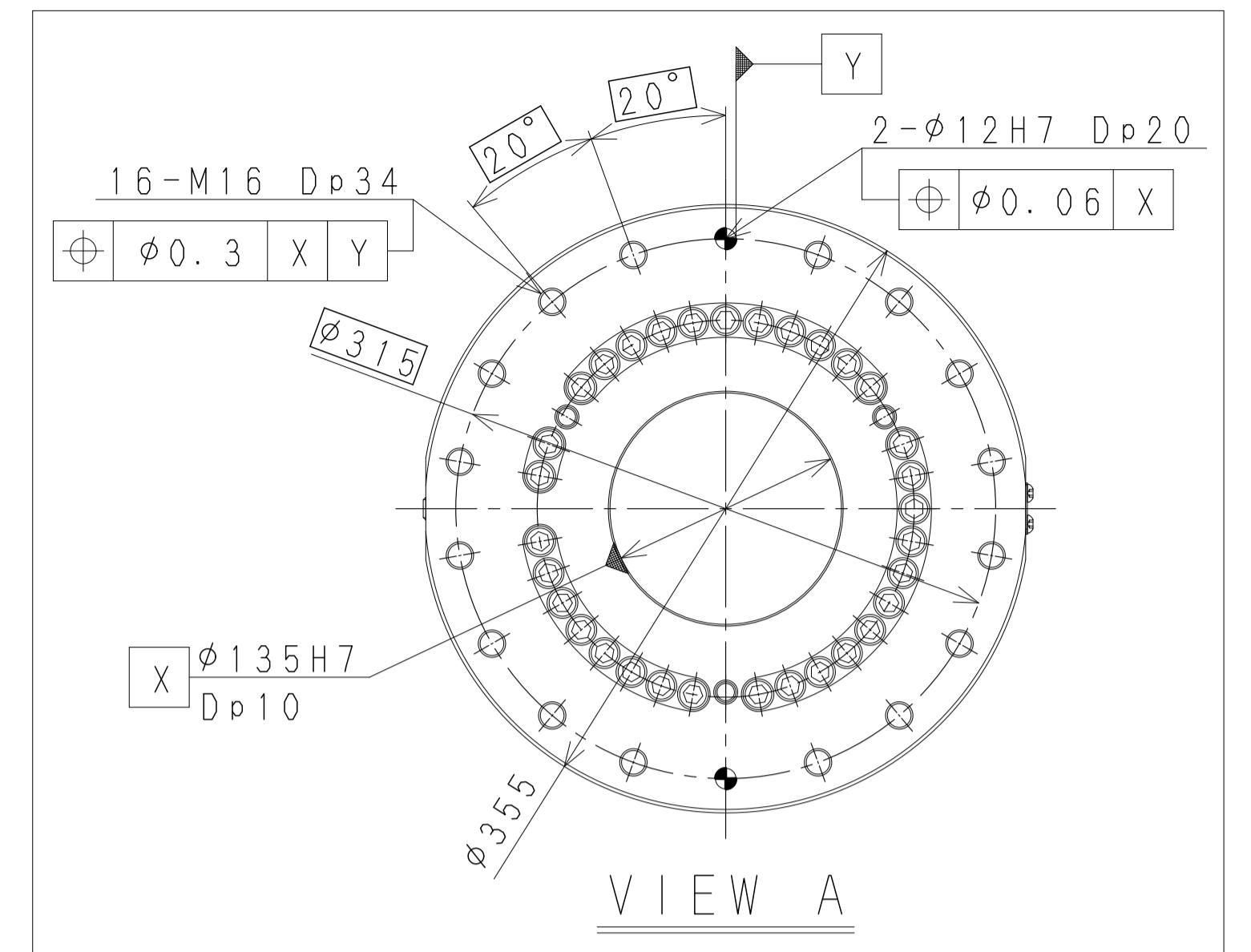
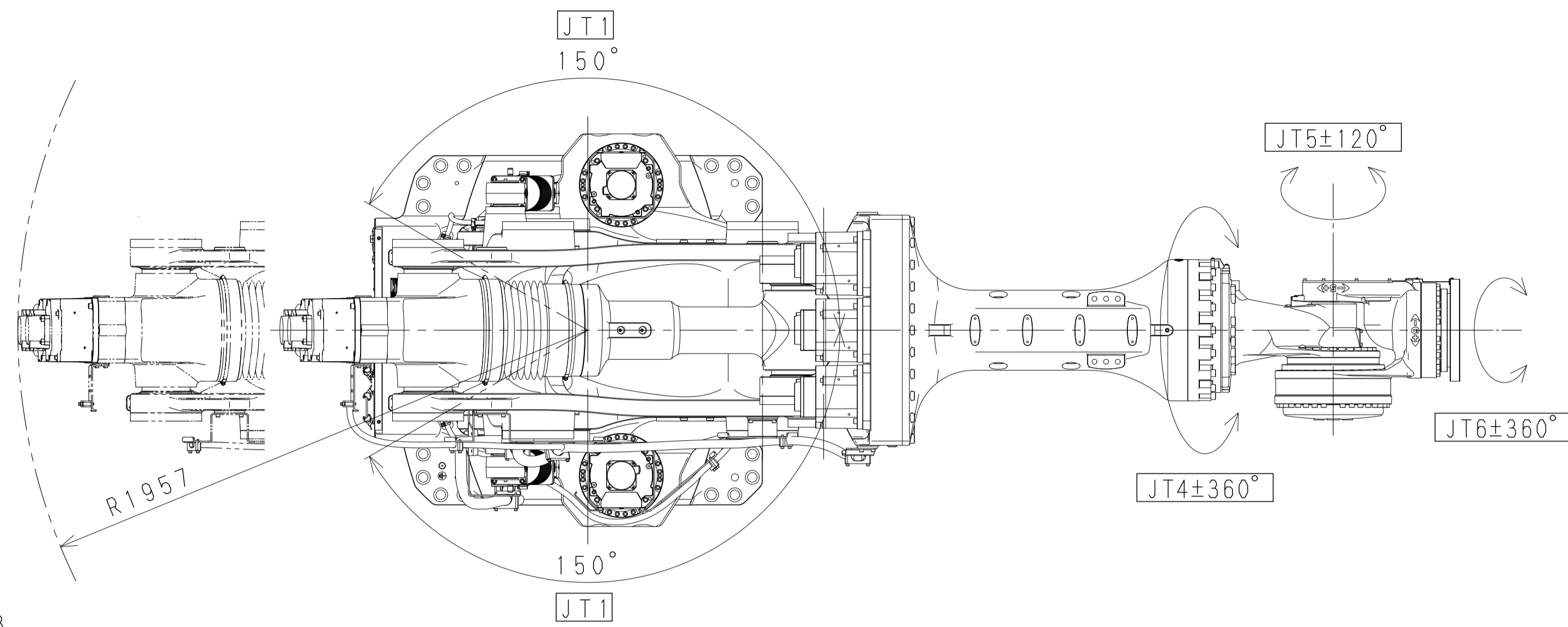
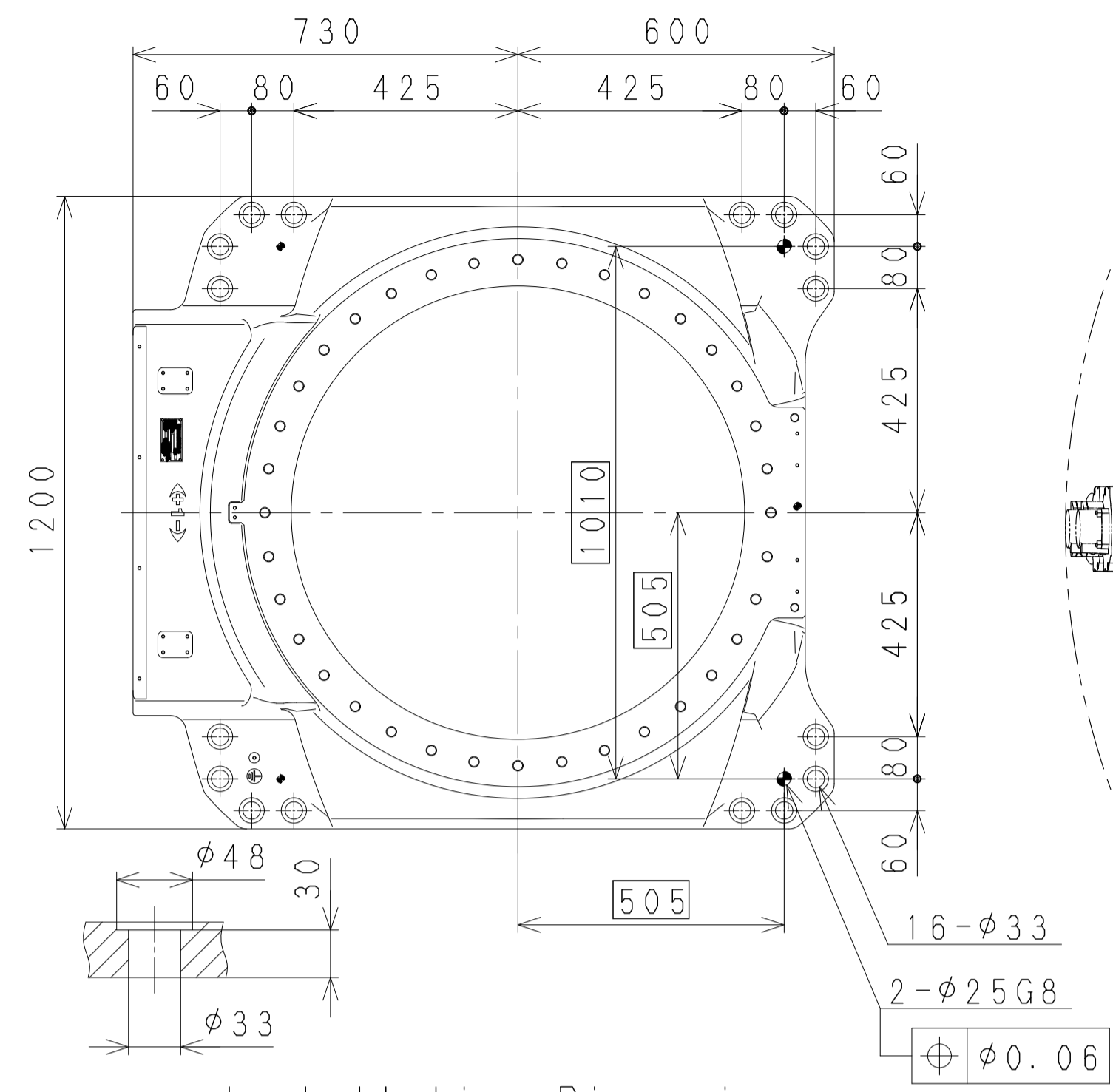
Specification number : 90151-0158DEE

## Robot specifications

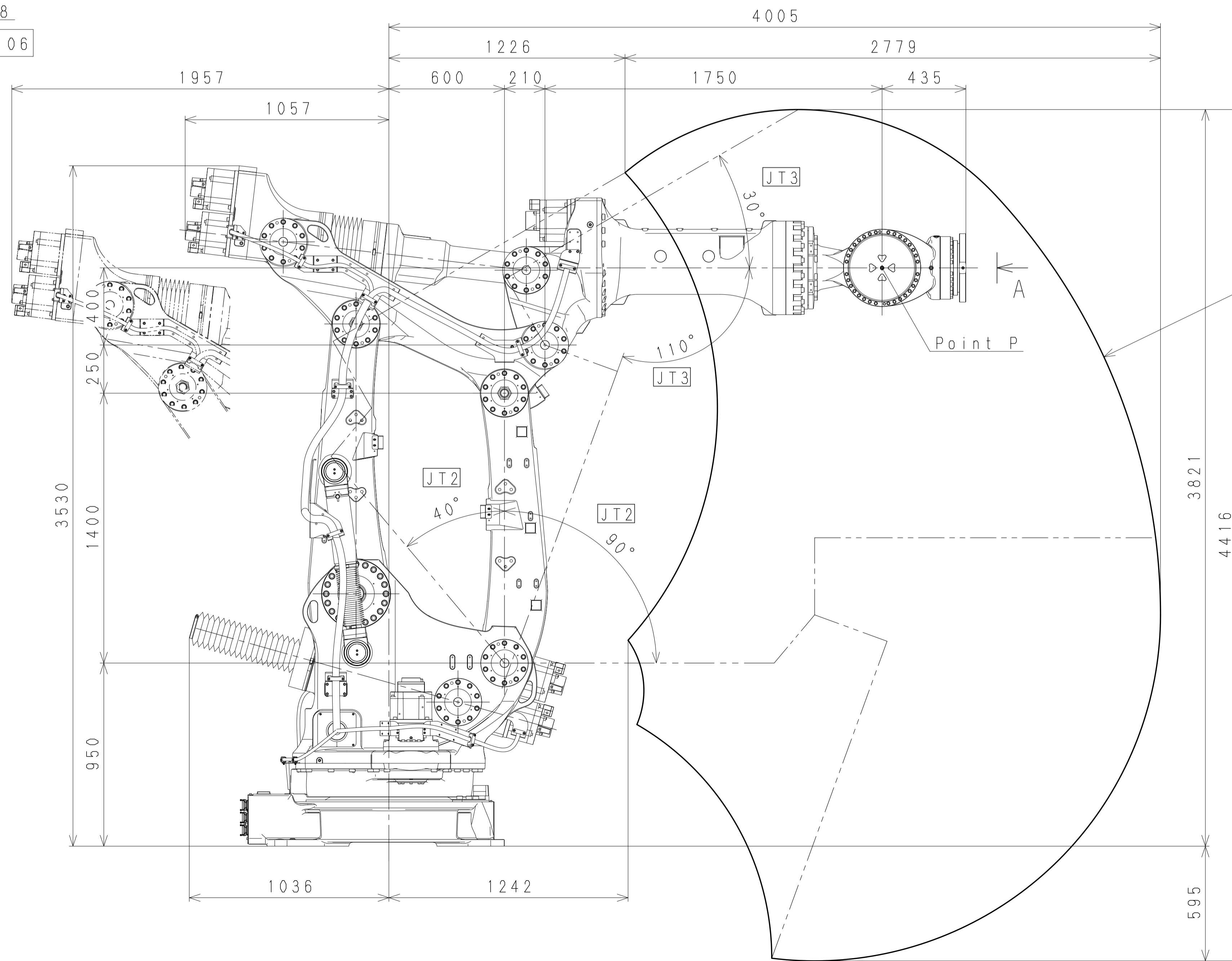
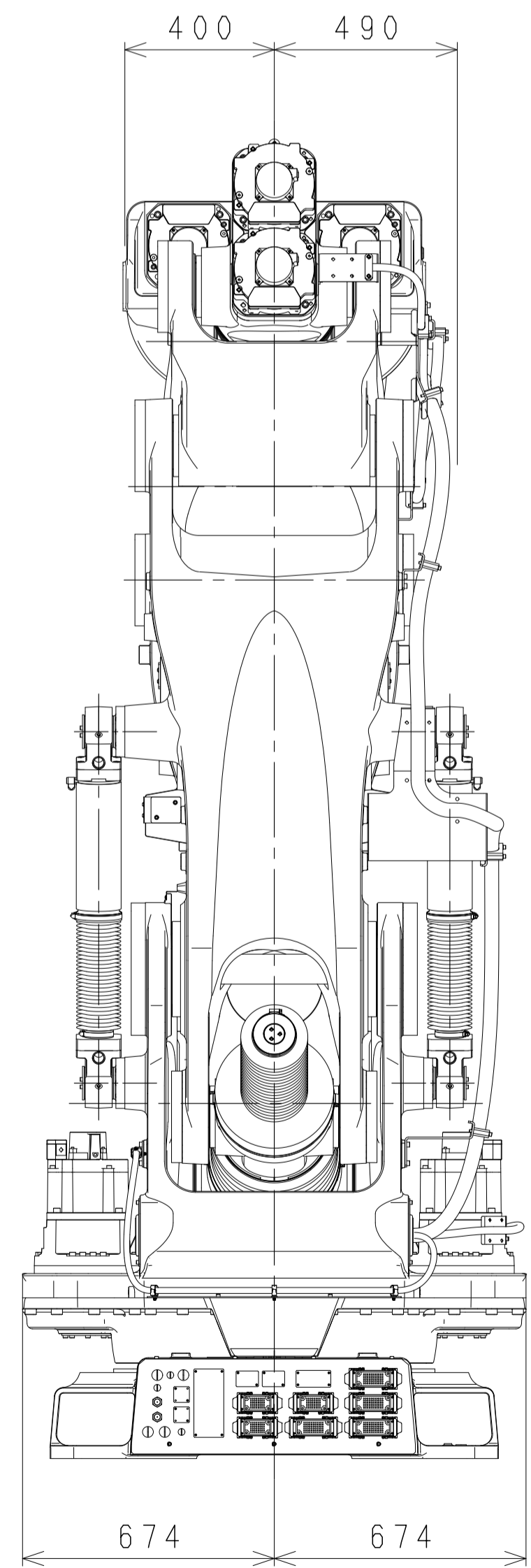
1. Model	MG10HL-B																						
2. Type	Articulated robot																						
3. Degree of freedom	6 axes																						
4. Max. payload	1,000 kg																						
5. Max. reach	4,005 mm																						
6. Max. applying force	15,000 N The value depends on usage conditions. If detailed data is required for your application, please contact Kawasaki.																						
7. Position repeatability	±0.10 mm (wrist flange surface) conforms to ISO 9283																						
8. Axis specification	<table border="1"> <thead> <tr> <th>Operating axis</th> <th>Motion range</th> <th>Max. speed*</th> </tr> </thead> <tbody> <tr> <td>Arm rotation (JT1)</td> <td>±150°</td> <td>65°/s</td> </tr> <tr> <td>Arm out-in (JT2)</td> <td>+ 90° - - 40°</td> <td>33.5°/s</td> </tr> <tr> <td>Arm up-down (JT3)</td> <td>+ 30° - - 110°</td> <td>37.5°/s</td> </tr> <tr> <td>Wrist swivel (JT4)</td> <td>±360°</td> <td>65°/s</td> </tr> <tr> <td>Wrist bend (JT5)</td> <td>±120°</td> <td>65°/s</td> </tr> <tr> <td>Wrist twist (JT6)</td> <td>±360°</td> <td>80°/s</td> </tr> </tbody> </table> <p>Note* The values in the table are maximum values and vary depending on conditions such as load and motion range.</p>		Operating axis	Motion range	Max. speed*	Arm rotation (JT1)	±150°	65°/s	Arm out-in (JT2)	+ 90° - - 40°	33.5°/s	Arm up-down (JT3)	+ 30° - - 110°	37.5°/s	Wrist swivel (JT4)	±360°	65°/s	Wrist bend (JT5)	±120°	65°/s	Wrist twist (JT6)	±360°	80°/s
Operating axis	Motion range	Max. speed*																					
Arm rotation (JT1)	±150°	65°/s																					
Arm out-in (JT2)	+ 90° - - 40°	33.5°/s																					
Arm up-down (JT3)	+ 30° - - 110°	37.5°/s																					
Wrist swivel (JT4)	±360°	65°/s																					
Wrist bend (JT5)	±120°	65°/s																					
Wrist twist (JT6)	±360°	80°/s																					
9. Load capacity of wrist	<table border="1"> <thead> <tr> <th></th> <th>Max. torque</th> <th>Moment of inertia*</th> </tr> </thead> <tbody> <tr> <td>JT4</td> <td>8,800 N·m</td> <td>1,800 kg·m<sup>2</sup></td> </tr> <tr> <td>JT5</td> <td>8,800 N·m</td> <td>1,800 kg·m<sup>2</sup></td> </tr> <tr> <td>JT6</td> <td>4,410 N·m</td> <td>1,200 kg·m<sup>2</sup></td> </tr> </tbody> </table> <p>Note* Each value in this table shows allowable moment of inertia of JT4/JT5/JT6 when max. allowed torque is applied to each axis. If more detailed data is required for your application, please contact Kawasaki.</p>			Max. torque	Moment of inertia*	JT4	8,800 N·m	1,800 kg·m <sup>2</sup>	JT5	8,800 N·m	1,800 kg·m <sup>2</sup>	JT6	4,410 N·m	1,200 kg·m <sup>2</sup>									
	Max. torque	Moment of inertia*																					
JT4	8,800 N·m	1,800 kg·m <sup>2</sup>																					
JT5	8,800 N·m	1,800 kg·m <sup>2</sup>																					
JT6	4,410 N·m	1,200 kg·m <sup>2</sup>																					
10. Mass	6,500 kg (without options)																						
11. Mounting	Floor mounting																						
12. Installation Environment	Ambient Temperature: 0 - 45 °C																						
	Relative Humidity: 35 - 85 % (with no dew condensation)																						
13. Color	Munsell 10GY9/1 equivalent																						
14. Options	Mechanical stopper	Adjustable stopper JT1																					
	Solenoid valve	Double solenoid valve ×2, Double solenoid valve ×3																					
	Option harness	Type C0, Type H0(NPN), Type H0(PNP), Type E0(NPN), Type E0(PNP)																					
	Air cleaning	Filter, Regulator, Mistseparator																					
	Color																						

Consult Kawasaki about maintenance parts and spare parts.

Consult Kawasaki about your application because the motor could become high temperature depending on your application.



Installation Dimensions



Working range based on point P

MG10HL-B  
WORKING RANGE