



Standard Specifications

RD080N-B

1st ed. 25-Mar-15
2nd ed. 12-Oct-20
3rd ed. 11-Sep-24

Kawasaki Heavy Industries, Ltd.
Robot Business Division

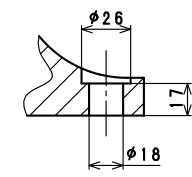
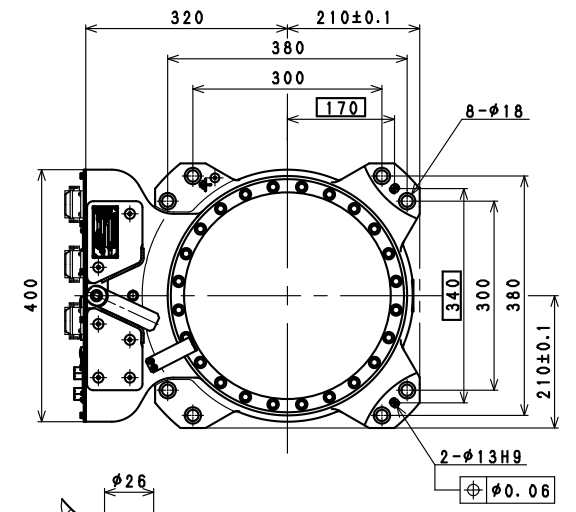
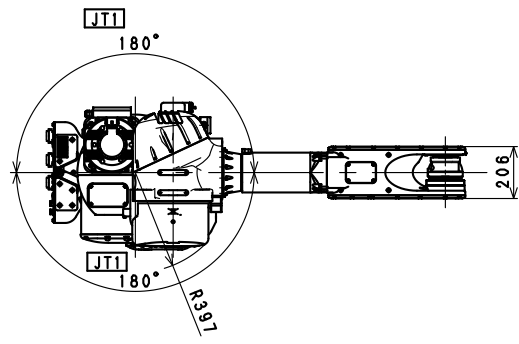
Specification number : 90151-0078DEC

Materials and specifications are subject to change without notice.

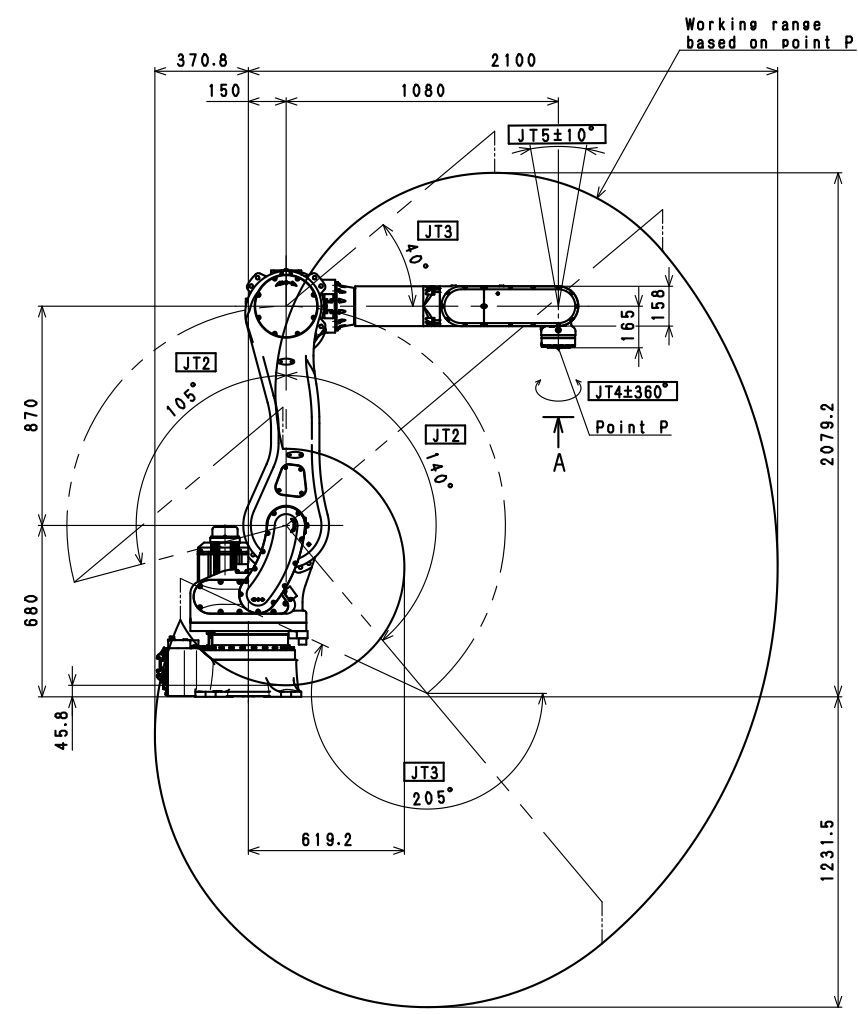
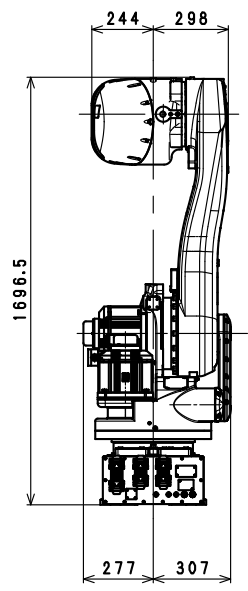
Robot specifications

1. Model	RD080N-B																							
2. Type	Articulated robot																							
3. Degree of freedom	5 axes																							
4. Max. payload	80 kg																							
5. Max. reach	2,100 mm																							
6. Palletizing Capacity	Approx. 900 cycles/h (Load: 80 kg, Vertical: 400 mm & Horizontal: 2000 mm)																							
7. Position repeatability	±0.07 mm (wrist flange surface) conforms to ISO 9283																							
8. Axis specification	<table border="1"> <thead> <tr> <th>Operating axis</th> <th>Motion range</th> <th>Max. speed</th> </tr> </thead> <tbody> <tr> <td>Arm rotation (JT1)</td> <td>±180°</td> <td>180°/s</td> </tr> <tr> <td>Arm out-in (JT2)</td> <td>+140° - -105°</td> <td>180°/s</td> </tr> <tr> <td>Arm up-down (JT3)</td> <td>+40° - -205°</td> <td>175°/s</td> </tr> <tr> <td>Wrist swivel (JT4)</td> <td>±360°</td> <td>360°/s</td> </tr> <tr> <td>Wrist bend (JT5)</td> <td>±10°*</td> <td>-</td> </tr> </tbody> </table> <p>* Motion range of JT5 is ±10° to the vertical direction.</p>		Operating axis	Motion range	Max. speed	Arm rotation (JT1)	±180°	180°/s	Arm out-in (JT2)	+140° - -105°	180°/s	Arm up-down (JT3)	+40° - -205°	175°/s	Wrist swivel (JT4)	±360°	360°/s	Wrist bend (JT5)	±10°*	-				
Operating axis	Motion range	Max. speed																						
Arm rotation (JT1)	±180°	180°/s																						
Arm out-in (JT2)	+140° - -105°	180°/s																						
Arm up-down (JT3)	+40° - -205°	175°/s																						
Wrist swivel (JT4)	±360°	360°/s																						
Wrist bend (JT5)	±10°*	-																						
9. Load capacity of wrist	<table border="1"> <thead> <tr> <th></th> <th>Max. torque</th> <th>Moment of inertia*</th> </tr> </thead> <tbody> <tr> <td>JT4</td> <td>-</td> <td>13.7 kg·m²</td> </tr> </tbody> </table> <p>Note* Restrictions are applied to the center of gravity. See the Installation and Connection Manual. If more detailed data is required for your application, please contact Kawasaki.</p>			Max. torque	Moment of inertia*	JT4	-	13.7 kg·m ²																
	Max. torque	Moment of inertia*																						
JT4	-	13.7 kg·m ²																						
10. Mass	540 kg (without options)																							
11. Mounting	Floor mounting																							
12. Installation Environment	Ambient Temperature: 0 - 45 °C Relative Humidity: 35 - 85 % (with no dew condensation)																							
13. Color	Munsell 10GY9/1 equivalent																							
14. Degree of protection	Wrist : IP67 equivalent Arm : IP65 equivalent																							
15. Cleanliness	Class 6 equivalent Not a guaranteed value																							
16. Built-in utilities	Pneumatic piping (φ10 × 2 lines)																							
17. Options	<table border="1"> <tbody> <tr> <td>Degree of protection</td> <td>Arm : IP67 equivalent</td> </tr> <tr> <td>Sensor harness</td> <td>12 circuits</td> </tr> <tr> <td>Optional harness</td> <td>7 pairs</td> </tr> <tr> <td>Internal valves</td> <td>Double / Single solenoid valves (4 units max.)</td> </tr> <tr> <td>Air equipment</td> <td>Filter, Regulator, Mist separator</td> </tr> <tr> <td>Mechanical stopper</td> <td>Adjustable stoppers JT1/JT2/JT3</td> </tr> <tr> <td>Color</td> <td></td> </tr> <tr> <td>Installation stand</td> <td>300 mm / 600 mm height</td> </tr> <tr> <td>Base plate</td> <td>750 mm × 750 mm</td> </tr> <tr> <td></td> <td></td> </tr> <tr> <td></td> <td></td> </tr> </tbody> </table>		Degree of protection	Arm : IP67 equivalent	Sensor harness	12 circuits	Optional harness	7 pairs	Internal valves	Double / Single solenoid valves (4 units max.)	Air equipment	Filter, Regulator, Mist separator	Mechanical stopper	Adjustable stoppers JT1/JT2/JT3	Color		Installation stand	300 mm / 600 mm height	Base plate	750 mm × 750 mm				
Degree of protection	Arm : IP67 equivalent																							
Sensor harness	12 circuits																							
Optional harness	7 pairs																							
Internal valves	Double / Single solenoid valves (4 units max.)																							
Air equipment	Filter, Regulator, Mist separator																							
Mechanical stopper	Adjustable stoppers JT1/JT2/JT3																							
Color																								
Installation stand	300 mm / 600 mm height																							
Base plate	750 mm × 750 mm																							

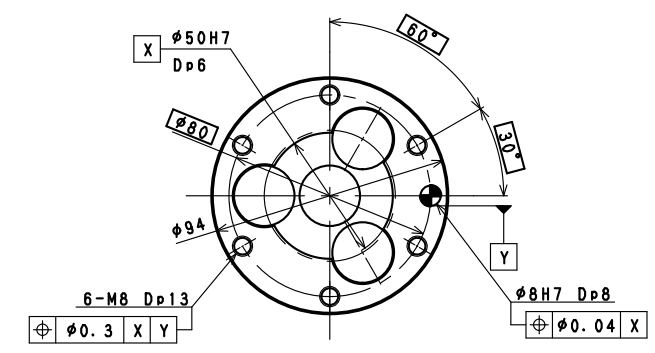
Consult Kawasaki about maintenance parts and spare parts.



Installation Dimensions



Working range based on point P



VIEW A

RD080N
WORKING RANGE