

Kawasaki Heavy Industries, Ltd

Robot Business Division

Tokyo Head Office/Robot Division

1-14-5, Kaigan, Minato-ku, Tokyo 105-8315, Japan
Phone: +81-3-3435-2501 Fax: +81-3-3437-9880

Akashi Works/Robot Division

1-1, Kawasaki-cho, Akashi, Hyogo 673-8666, Japan
Phone: +81-78-921-2946 Fax: +81-78-923-6548

Nishi-Kobe Works/Robot Division

234, Matsumoto, Hasetani-cho, Nishi-ku, Kobe, Hyogo 651-2239, Japan
Phone: +81-78-915-8247 Fax: +81-78-915-8239

Kawasaki Robotics website

<https://kawasakirobotics.com/>



Kawasaki Robotics brand site XYZ

<https://robotics.kawasaki.com/ja1/xyz/en/>



Kawasaki Robostage (showroom)

<https://robotics.kawasaki.com/ja1/robostage/en.html>



Kawasaki Robot Picking Robots

Small-to-medium robots
up to 80kg payload

Large robots
up to 300kg payload

Extra large robots
up to 1,500kg payload

Dual-arm Collaborative robots

Explosion-proof painting robots

Sealing robots

Arc welding robots

Palletizing robots

Medical & pharmaceutical robots

Picking robots

Wafer transfer robots

Global Network

Kawasaki Robotics (USA), Inc.

28140 Lakeview Drive, Wixom, MI 48393, U.S.A.
Phone: +1-248-446-4100 Fax: +1-248-446-4200

Kawasaki Robotics (UK) Ltd.

Unit 4 Easter Court, Europa Boulevard, Westbrook
Warrington Cheshire, WA5 7ZB, United Kingdom
Phone: +44-1925-71-3000 Fax: +44-1925-71-3001

Kawasaki Robotics GmbH

Im Taubental 32, 41468 Neuss, Germany
Phone: +49-2131-34260 Fax: +49-2131-3426-22

Kawasaki Robotics Korea, Ltd.

43, Namdong-daero 215beon-gil, Namdong-gu, Incheon,
21633, Korea
Phone: +82-32-821-6941 Fax: +82-32-821-6947

Kawasaki Robotics (Tianjin) Co., Ltd.

1-2/F, Building 6, No.19 Xinhuan Road, TEDA, China
Phone: +86-22-5983-1888 Fax: +86-22-5983-1889

Taiwan Kawasaki Robot Center

3F, No.31, Ln.216, Gongyuan Rd., Hsinchu City
30069, Taiwan(R.O.C)
Phone: +886-3-562-0518

Kawasaki Motors Enterprise (Thailand) Co., Ltd.

(Rayong Robot Center)
119/10 Moo 4 T.Pluaek Daeng, A.Pluaek Daeng, Rayong 21140
Thailand
Phone: +66-38-955-040-58 Fax: +66-38-955-145

Singapore Kawasaki Robot Center

100G Pasir Panjang Road #06-10
Singapore 118523
Phone: +65-6513-3145

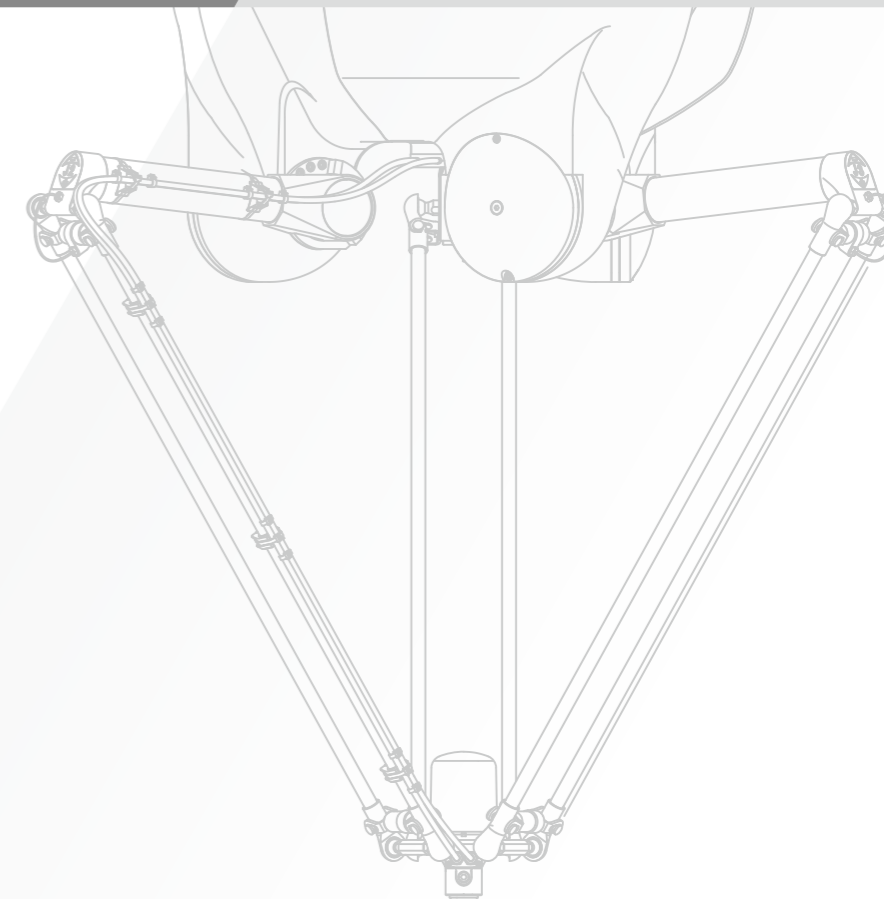
Kawasaki Robotics India Pvt. Ltd.

Plot No. 136, Sector-37, Pace City 1,
Gurgaon, 122101 Haryana, India
Phone: +91-124-437-1845



CAUTIONS TO BE TAKEN TO ENSURE SAFETY

- For those persons involved with the operation / service of your system, including Kawasaki Robot, they must strictly observe all safety regulations at all times. They should carefully read the Manuals and other related safety documents.
- Products described in this catalogue are general industrial robots. Therefore, if a customer wishes to use the Robot for special purposes, which might endanger operators or if the Robot has any problems, please contact us. We will be pleased to help you.
- Be careful as Photographs illustrated in this catalogue are frequently taken after removing safety fences and other safety devices stipulated in the safety regulations from the Robot operation system.



Picking Robots

The Y series pick & place robots are used in food, pharmaceutical, cosmetic, electric, electronics and machine parts industries.
The YF002N is compact, while the YF003N has a long motion range.

YF series



YF003N

[Applications]



Assembling Handling

Features

- The compact YF002N and long motion-range YF003N achieve high-speed pick & place. Both models use grease and oil for food-processing machinery.
- Wash-down with acid or alkaline cleanser is possible (the YF003N).

F01

Features

- The F01 controller has common specifications to be used globally.
- Performance and expandability have been greatly enhanced from its previous E-controller. Yet, the size and weight are much smaller.

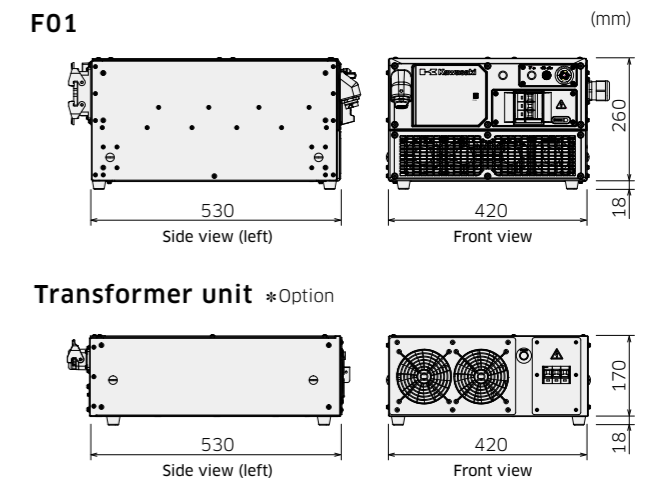


Standard Specifications

Dimensions (mm)	W420×D530×H278	
Type	Enclosed type, indirect cooling system (IP54 or equivalent)	
Controlled (axes)	6	
Memory capacity (MB)	16	
I/O signals	External operation	Motor power off, Hold
	Input (Channels)	32
Cable length	Output (Channels)	32
	Teach pendant (m)	5
Mass (kg)	Robot-controller (m)	5
		20
Power requirements	AC200V - AC220V ±10%, 50/60Hz, 3Φ AC200V - AC230V ±10%, 50/60Hz, 1Φ *1 Max. 5.6kVA	
Installation environment	Ambient temperature (°C)	0 - 45
	Relative humidity (%)	35 - 85 (No dew, nor frost allowed)
Teach pendant	Color LCD display with touch-panel, E-Stop switch, Teach lock switch, Enable switch	
Operation panel	E-stop switch, teach/repeat switch	

*1: 200V single phase is available for some robot models only.

External view and Dimensions

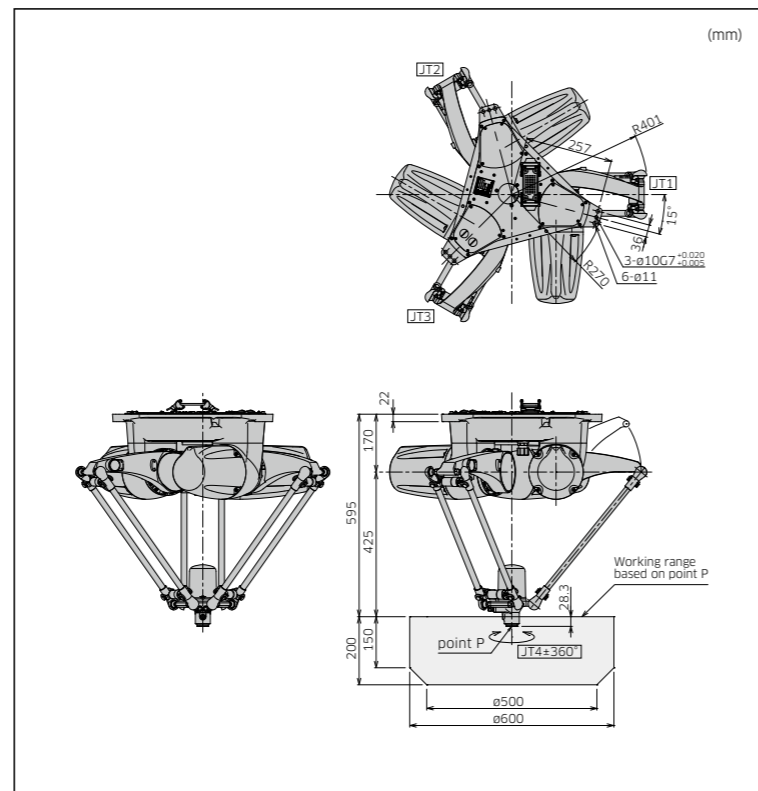


YF002N

Standard Specifications

Type	Parallel link type	
Degree of freedom (axes)	4	
Payload (kg)	2	
Position repeatability*1 (mm)	±0.04	
Angular repeatability (°)	±0.1	
Motion range (mm)	φ600×H200	
Cycle Time*2 (Payload)	0.3s (0.5kg), 0.36s (2kg)	
Mass (kg)	60	
Mounting	Ceiling	
Installation environment	Ambient temperature (°C)	10 - 35
	Relative humidity (%)	35 - 85 (No dew, nor frost allowed)
Degree of protection	IP65 or equivalent	
Controller/Power requirements	F01/5.6 kVA	

*1: Conforms to ISO9283
*2: Motion Pattern (25mm up, 305mm horizontal, 25mm down in a to-and-fro motion)



YF003N

Standard Specifications

Type	Parallel link type	
Degree of freedom (axes)	4	
Payload (kg)	3	
Position repeatability*1 (mm)	±0.1	
Angular repeatability (°)	±0.1	
Motion range (mm)	φ1,300×H500	
Cycle Time*2 (Payload)	0.27s (1kg), 0.45s (3kg)	
Mass (kg)	145	
Mounting	Ceiling	
Installation environment	Ambient temperature (°C)	0 - 45
	Relative humidity (%)	35 - 85 (No dew, nor frost allowed)
Degree of protection	IP65 or equivalent	
Controller/Power requirements	F01/5.6kVA	

*1: Conforms to ISO9283
*2: Motion Pattern (25mm up, 305mm horizontal, 25mm down in a to-and-fro motion)

