

**Kawasaki Robot Controller
F0x Series Controller**

**Installation and
Connection Manual**

R **o** **b** **o** **t**

Kawasaki Heavy Industries, Ltd.

Preface

This manual explains the work procedures for installing and connecting the controller and transformer unit (optional).

This manual explains the procedures for installing and wiring the controller and transformer unit (hereinafter, referred to as "the controller"), and connecting them to an external power supply. For other operations, see the "Operation Manual" and the "External I/O Manual."

Please make sure you have fully understood the content of this manual and ensured safety before performing work.

Furthermore, this manual only provides descriptions of the installation and connection procedures for the controller.

For information on installing and connecting the robot arm, see the "Installation and Connection Manual" for the arm.

This manual also covers optional devices.

However, in some cases, depending on the specification of the robot, not all of the optional devices are included.

[NOTE]

This manual is applicable to the following F0x Series controller models only.
F01, F02, F03, F04

-
1. This manual does not guarantee the operation of the system with which the robot is used. Accordingly, Kawasaki is not responsible for any accidents, damage, and/or problems relating to industrial property rights as a result of using the system.
 2. It is recommended that all personnel assigned for activation of operation, teaching, maintenance or inspection of the robot attend the necessary education/training course(s) prepared by Kawasaki, before assuming their responsibilities.
 3. Kawasaki reserves the right to change, revise, or update this manual without prior notice.
 4. This manual may not be reprinted or copied, in whole or in part, without the prior written consent of Kawasaki.
 5. Store this manual with care and keep it available for use at any time. If the robot is reinstalled or moved to a different site or sold off to a different user, attach this manual to the robot without fail. In the event that the manual is lost or damaged, contact Kawasaki.
-

Symbols

The items that require special attention in this manual are designated with the following symbols.


Ensure proper and safe operation of the robot and prevent physical injury or property damage by complying with the safety matters given in the boxes with these symbols.

 DANGER
Failure to comply with indicated matters can result in imminent injury or death.

 WARNING
Failure to comply with indicated matters may possibly lead to injury or death.

 CAUTION
Failure to comply with indicated matters may lead to physical injury and/or mechanical damage.

[NOTE]
Denotes precautions regarding robot specification, handling, teaching, operation, and maintenance.

 WARNING
<ol style="list-style-type: none">1. The accuracy and effectiveness of the diagrams, procedures, and detail explanations given in this manual cannot be confirmed with absolute certainty. Should any unexplained questions or problems arise, please contact your nearest Kawasaki.2. Safety related contents described in this manual apply to each individual work and not to all robot work. They are not applicable to other general items or other matters.3. In order to perform work safely, read the "Safety Manual" before using the robot, and gain a full understanding of all pertinent laws, regulations and related materials as well as all the safety explanations described in each chapter, before correctly preparing a safety system suitable for the use of the robot at your company.

Introductory Notes

■ Hardware keys and switches (buttons)

In the F0x Series Controller, hardware keys and switches for performing the various operations are provided on the robot controller operation panel screens and the teach pendant. In this manual, they are indicated as follows.

- The names of the hardware keys and switches are enclosed with a square.
- For brevity, only the names are indicated in some cases.
- When two or more switches are to be pressed together, the switch names are given in pressing order, with a plus sign between them.

Example	
ENTER:	expresses the hardware key "ENTER."
TEACH/REPEAT:	indicates the "TEACH/REPEAT" mode selector switch on the operation panel.
A + MENU:	indicates pressing and holding down "A" and then pressing "MENU."

■ Software keys and switches

In the F0x Series Controller, software keys and switches for performing the various operations are displayed on the teach pendant screen according to the specification and status. In this manual, they are indicated as follows.

- The names of the software keys and switches are enclosed in parentheses <...>.
- For brevity, only the names are indicated in some cases.

Example	
<ENTER>:	"ENTER" key that appears on the teach pendant screen
<Next Page>:	"Next Page" key that appears on the teach pendant screen

■ Items

Various items appear for the operations on the teach pendant screens.

In this manual, they are indicated as follows.

- The names are enclosed in brackets [...].
- When selecting an item, it is necessary to align the cursor to a given item and then press the ↵ key. For brevity, this is sometimes expressed as "select [...]".

Example	
[Aux. Function]:	expresses the item "Auxiliary Function" in the menu.

■ Shortened names

- For brevity, "teach pendant" may be expressed as "TP."
- For brevity, "function key" may be expressed as "F key."

Table of Contents

Preface	i
Symbols	ii
Introductory Notes	iii
1 Safety	1
1.1 Transporting, Installing and Storing the Controller	1
1.2 Controller Installation Environment	2
1.3 When Connecting a Harness	5
1.4 When Connecting an External Power Supply	6
1.5 Warning Labels	9
1.6 Use and Disposal of Fuses and Batteries	14
1.7 Safety Specification	17
1.8 Arm Movement without a Motor Driven Power Supply (During Emergencies or in Abnormal Situations)	18
2 Workflow to be Followed When Installing and Connecting the Controller	22
3 Controller External Appearance and Specifications	23
3.1 External Appearance of Controller	23
3.2 External Appearance of TP	27
3.3 F0x Controller Specifications	28
4 Transporting the Controller	30
4.1 Lifting with Wire	30
4.2 Transportation by Two People	32
5 Placement of the Controller	33
5.1 Horizontal Placement of the Controller	33
5.2 Vertical Placement of the Controller	35
5.3 Tap Positions on the Side of the Controller	37
6 Connecting the Controller to the Robot Components	40
6.1 Connecting the Controller to the Robot	40
6.2 Connecting the Controller to the TP	50
7 Connecting an External Power Supply	52
8 Peripheral Control Machinery and Equipment Connection	65
8.1 Cautions to Observe When Connecting	65
8.2 General Purpose Signal Connection	70
8.3 Hardware-Dedicated Signal Connection	70
8.4 PC Connection	70
8.5 RS-232C Serial Signal Connection (Optional)	70
8.6 Ethernet Communication Signal Connection	70
8.7 Fieldbus Connection (Optional)	70

1 Safety

This chapter explains safety matters relating to the installation and connection of the controller. For other safety matters, refer to the separate "Safety Manual."

1.1 Transporting, Installing and Storing the Controller

When installing the Kawasaki Robot controller, perform transportation, installation and storage work in strict observance of the following cautions.

[NOTE]

Ensure that installation work is carried out by qualified personnel and in compliance with safety laws and standards for the given country and/or region.



CAUTION

1. **During transportation, installation, and storage, be sure to observe the following points.**
The controller consists of precision electronic parts.
 - (1) **Ambient storage temperature: -10 to 60°C**
(Ambient operating temperature: 0 to 45°C)
Note See "3.3 F0x Controller Specifications."
 - (2) **Relative humidity: 35 to 85% RH (there must be no condensation)**
 - (3) **Do not subject the equipment to excess impact, shock, or vibration.**
Note For vibration conditions during operation, see "3.3 F0x Controller Specifications."
2. **Prior to beginning the work of installing the controller, be sure to remove any obstacles that may prevent smooth and safe installation.**
3. **If transporting the controller to the installation location using a crane or forklift, first ensure there is adequate room for passage.**

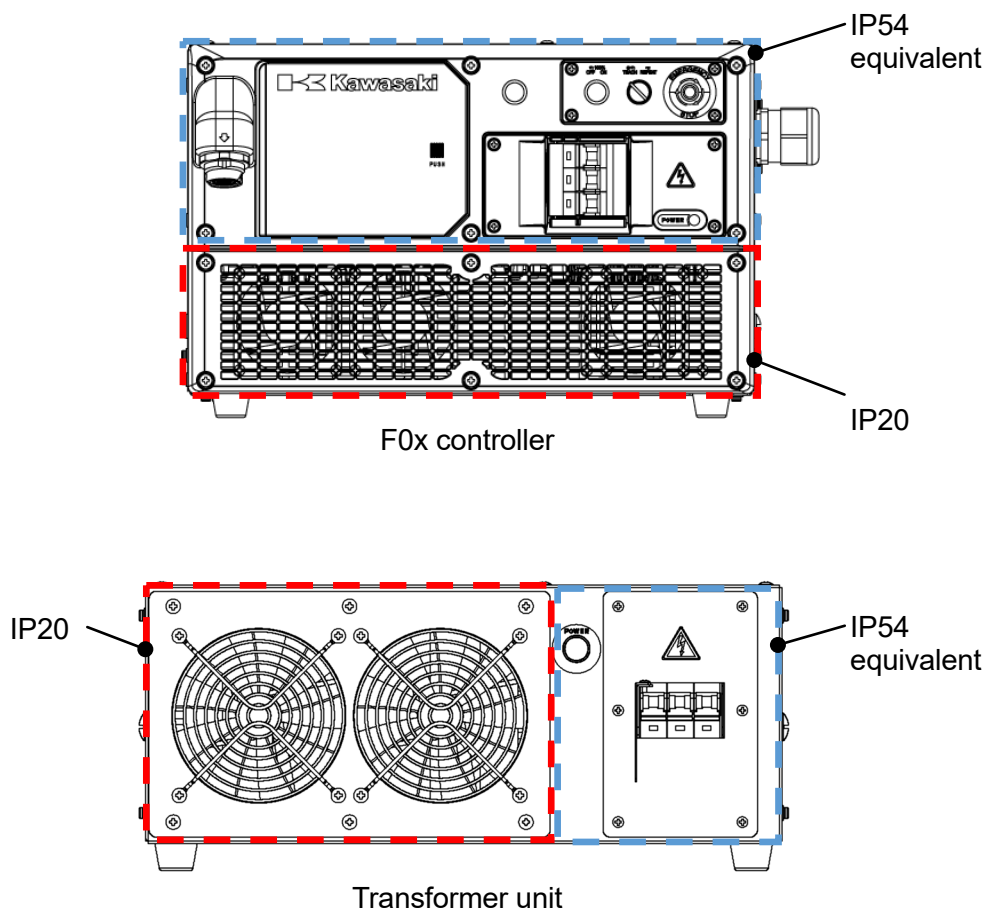
1.2 Controller Installation Environment

Install the controller in a location which can deliver the following ambient environmental conditions.

1. Ambient temperature: The ambient temperature must be within a range of 0 to 45°C.
2. Relative humidity: Relative humidity must be 35% to 85% RH.
(In addition, there must be no condensation.)
3. Elevation: 0 to 1,000 m above sea level
4. Environmental conditions relating to foreign objects
- The pollution degree must be 3 or lower (in addition, there must be no condensation)*1

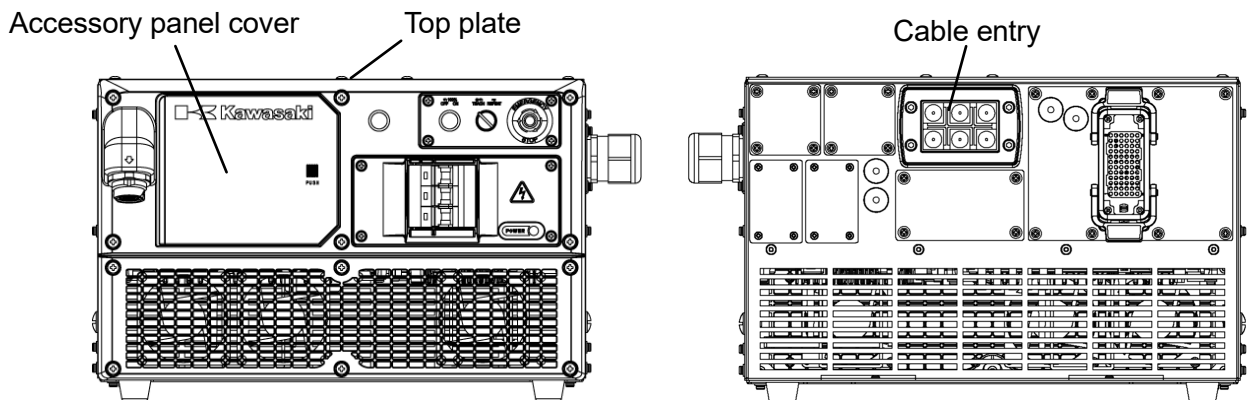
*1 The pollution degree is specified in IEC60664-1.

Regarding the protection rating of controller under IEC60529, see the figure below.

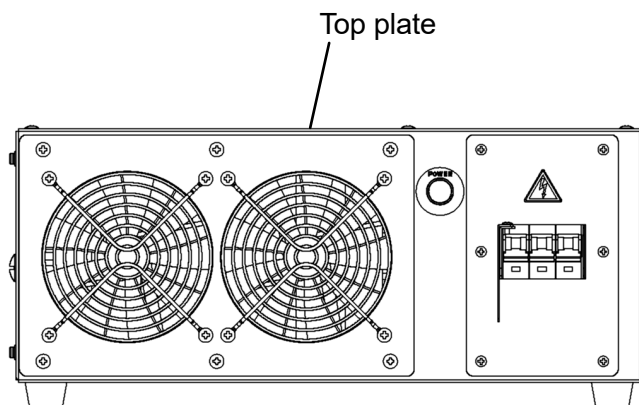


! **CAUTION**

- It may not be possible to guarantee an adequate level of resistance against oil. Oil must not come into contact with the controller, and it must not be used in an environment where oil mist is suspended in the air.
- If using in environments in which there is water or oil, take appropriate measures to ensure no water or oil is splashed onto the controller.
- Avoid use in environments with large amounts of metal particles, as such particles may fall directly onto the controller.
- To ensure the controller is sealed, close the top plate and accessory panel cover when using. Also, do not use when the metal plate attached to the rear of the controller has been removed. Use a cable entry to route wiring from the circuit board located inside the controller, etc. See "8.1 Cautions to Observe When Connecting" for instructions on using cable entries.



- Close the top plate when using the transformer unit. (To ensure it is sealed.)



5. Installation location

- The location must have good electrical noise conditions.
Controller external power supply noise: 1 kV/1 μ s or less

⚠ CAUTION

For equipment which produces high levels of electrical noise such as electromagnetic contactors, electromagnetic brakes, electromagnetic solenoids, and induction motors installed near the installation site, use an appropriate surge protector to suppress any generated noise.

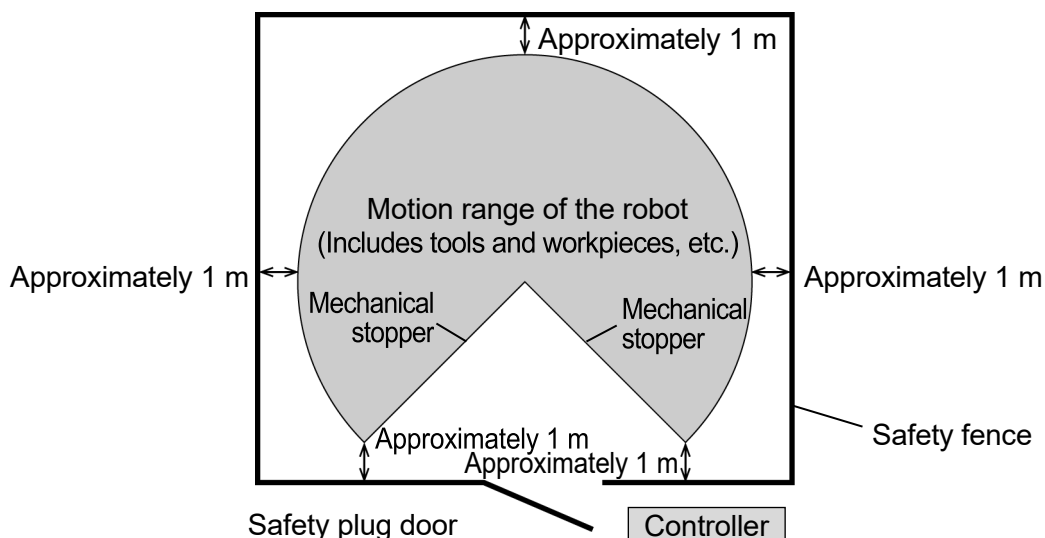
- The location must have no flammable or corrosive fluids or gases, etc. (example: hydrogen sulfide, etc.)
- The location must not be subject to excess shock, impact, or vibration.
- The location must satisfy the required power supply specifications for robots.
Variability: $\pm 10\%$ or less
- The location must be able to support dedicated class D grounding for robots.

6. Safety fence installation conditions

- Install the safety fence with an allowance of at least 1 m beyond the motion range of the robot (including tools and workpieces, etc.).
- When installing the safety fence, bear the following points in mind.
 - Ensure sufficient space to allow the controller to be easily accessed for maintenance.
 - Install a door with a safety plug on the safety fence.
 - For more detailed information regarding safety fences, refer to the relevant requirements for your region (ISO 13854 to 13855, 13857, 14119 to 14120, etc.)

⚠ CAUTION

Do not install the controller within the motion range of the robot, or within the cell or the safety fence.



1.3 When Connecting a Harness

When connecting the controller to the robot, strictly observe the following cautions.



WARNING

To prevent electric shocks, do not connect the external power supply until the connection between the robot and the controller is complete.



CAUTION

1. **When connecting a harness, make sure the connector is connected at the correct point.**
Forcing a connection may lead to connector damage or electrical system failure.
2. **Do not place anything on top of the harness or place it in a position where it could be walked on or driven over (with a forklift etc.).**
Stepping on or running over the harness could damage it or cause electrical system failure.
3. **Keep the harness separate from the robot wiring and from high voltage power lines.**
 - (1) **Do not wire the harness close to or in parallel with other power lines.**
 - (2) **Do not bundle the wires.**
 - (3) **Keep the wiring at least 1 m clear of high voltage or current power lines.**
Failure to do so may lead to malfunctions caused by noise from the power cables.
4. **Even if the harness is long, be sure to avoid winding, bending, or bundling the cables/wires.**
Bundling prevents generated heat from escaping, causing the harness to overheat. This could damage the cables and cause a fire.

1.4 When Connecting an External Power Supply

When connecting an external power supply, strictly observe the following cautions.



DANGER

1. Before connecting an external power supply, make sure that the external power supply for the controller is turned OFF. Connecting while powered on could cause an electric shock.
2. Until the external power supply connection is completed, put a tag on the breaker indicating that work is in progress or assign another technician for supervision to ensure that the breaker will not be turned ON.



WARNING

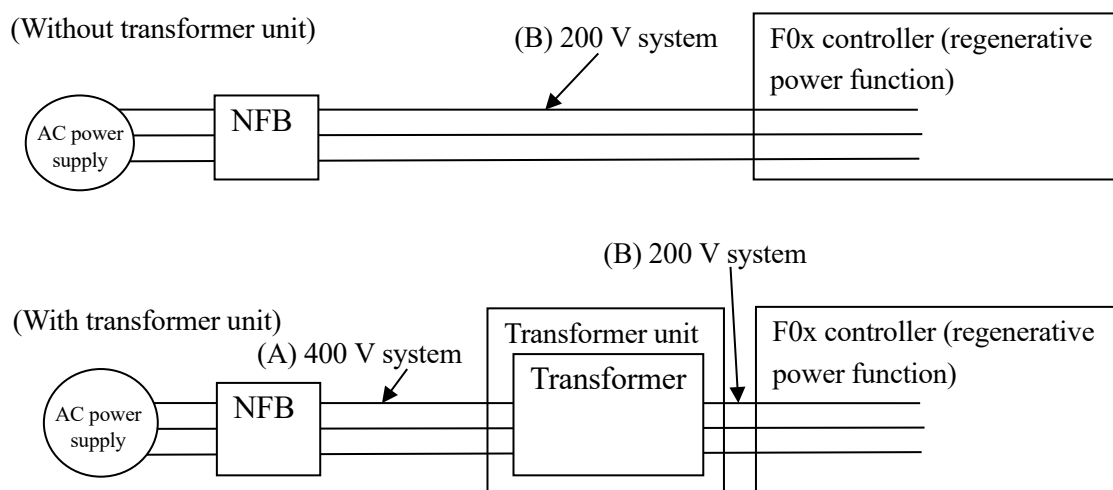
1. Check that the specification of the power supply connected to the controller is the same as the stated specification on the rating plate. Connecting power supplies with different specifications may cause the internal electrical components to fail.
2. Always provide grounding as a countermeasure against electric shock and noise.
 - (1) Dedicated grounding:
Dedicated class D grounding with a resistance of 100 Ω or less
 - (2) Recommended power cable size:
Ground wire of 3.5 to 5.5 mm² or more
(For details, see "3.3 F0x Controller Specifications.")
3. Grounding should never share ground wires or negative electrodes (base material) with welding machines, etc.
4. Be sure to observe the following when arc welding.
 - (1) Connect the negative electrode (base material) on the power supply used for welding directly to the base material or to the jig.
 - (2) Never have the main robot unit and the controller share grounding, and ensure they are grounded in isolation of each other.
5. Before turning on the external power supply, ensure that the power supply for the controller is connected securely, and that all covers are mounted correctly. Failure to do so could lead to electric shock.



CAUTION

- 1. Be sure to use an external power supply which meets the specifications of the controller for instantaneous power interruptions, voltage fluctuations and capacity, etc.**
Connecting a power supply with a different specification could cause the power supply to be turned OFF by the power supply monitoring circuit, leading to an error. Especially when using a transformer unit, the instantaneous high load of the robot is more likely to cause decreases in controller power supply voltage. If errors such as a power decrease error occur when the robot is under high load, recheck the primary power supply voltage supplied to the transformer unit and the connection tap inside the transformer unit.
- 2. If there is a risk of noise from the external power supply becoming mixed in, reduce the noise level by adding a noise filter or similar.**
- 3. Check first that there are no devices with poor noise tolerance in the vicinity.**
Devices with poor noise tolerance can malfunction due to the effects of PWM noise generated by the robot motor.
- 4. The robot's external power supply switch (breaker) should not be used in combination with welding machines or other power equipment.**
- 5. To prevent electric leakages, a time-delay electric leakage breaker (with a current sensitivity of 100 mA or higher) should be used as the external power supply switch.**
- 6. If there is a risk of voltage surges from the external power supply such as those caused by lightning surges, reduce the surge voltage level by adding a surge absorber or equivalent.**
- 7. The surge protection device (SPD) used for the equipment must be compliant with NFPA79.**
- 8. In the case of controllers with a regenerative charging function (if using an F03 controller or optional regenerative charging function), the peak values for voltage between the AC wires of the secondary breaker inside the controller that are shown in the following table may increase when the power supply breaker (NFB in the following figure) that supplies AC power to the controller during robot operation is cut off. Be aware of this if you have devices that share power with the controller from the same breaker.**

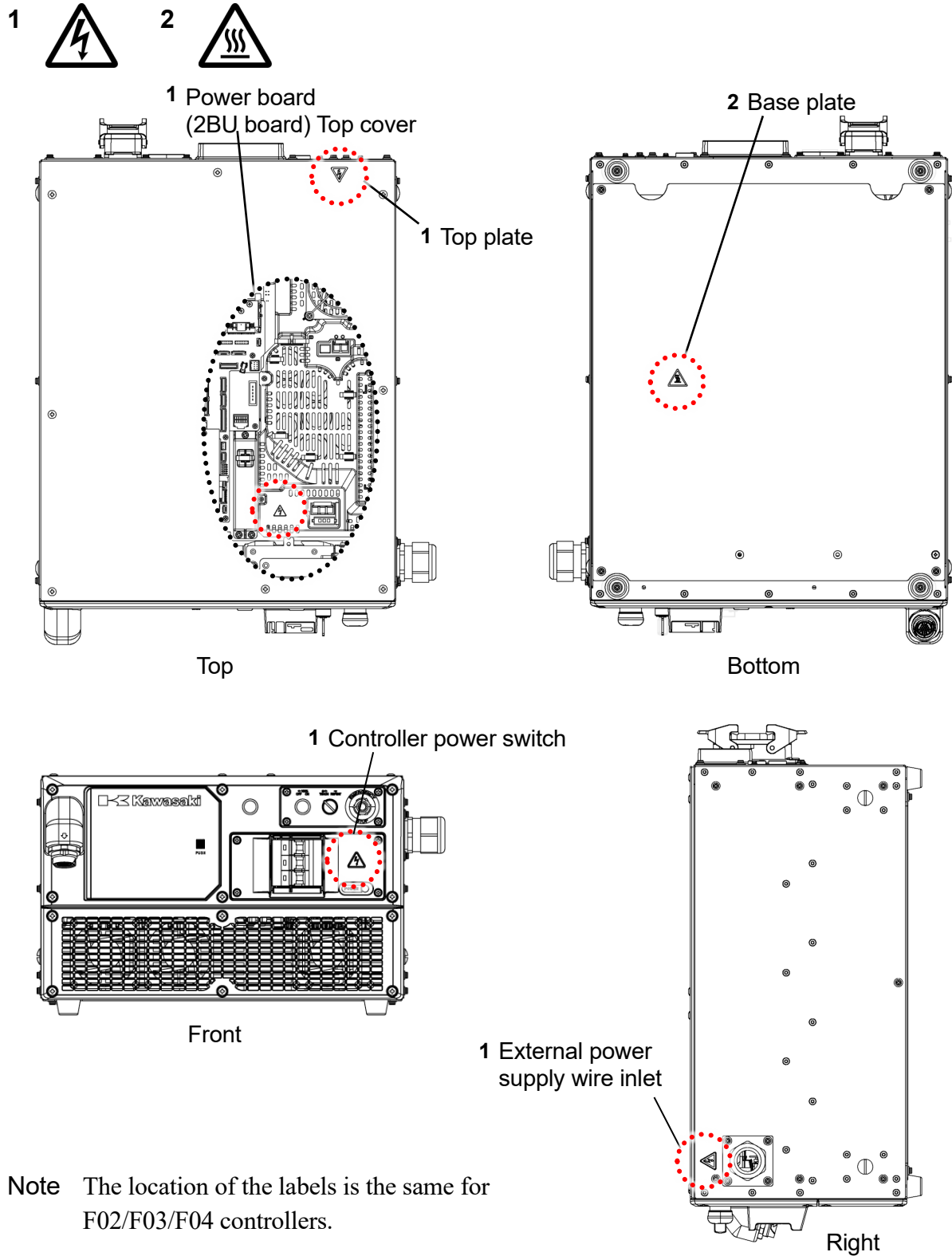
Power supplied to the controller		Peak voltage (V) between wires at point A (400 V system)	Peak voltage (V) between wires at point B (200 V system)
(1) Without transformer unit (Note When AC200-220 V)		380 V for 10 ms or less	380 V for 10 ms or less
(2) With transformer unit	When the power supply tap inside the transformer unit (X601 connector) is set to the 380 V-415 V side	700 V for 10 ms or less	
	When the power supply tap inside the transformer unit (X601 connector) is set to the 440 V-480 V side	800 V for 10 ms or less	



1.5 Warning Labels

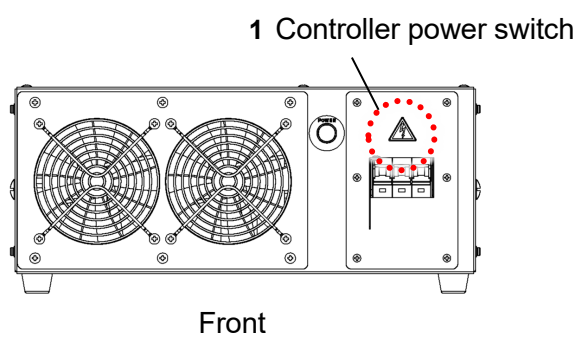
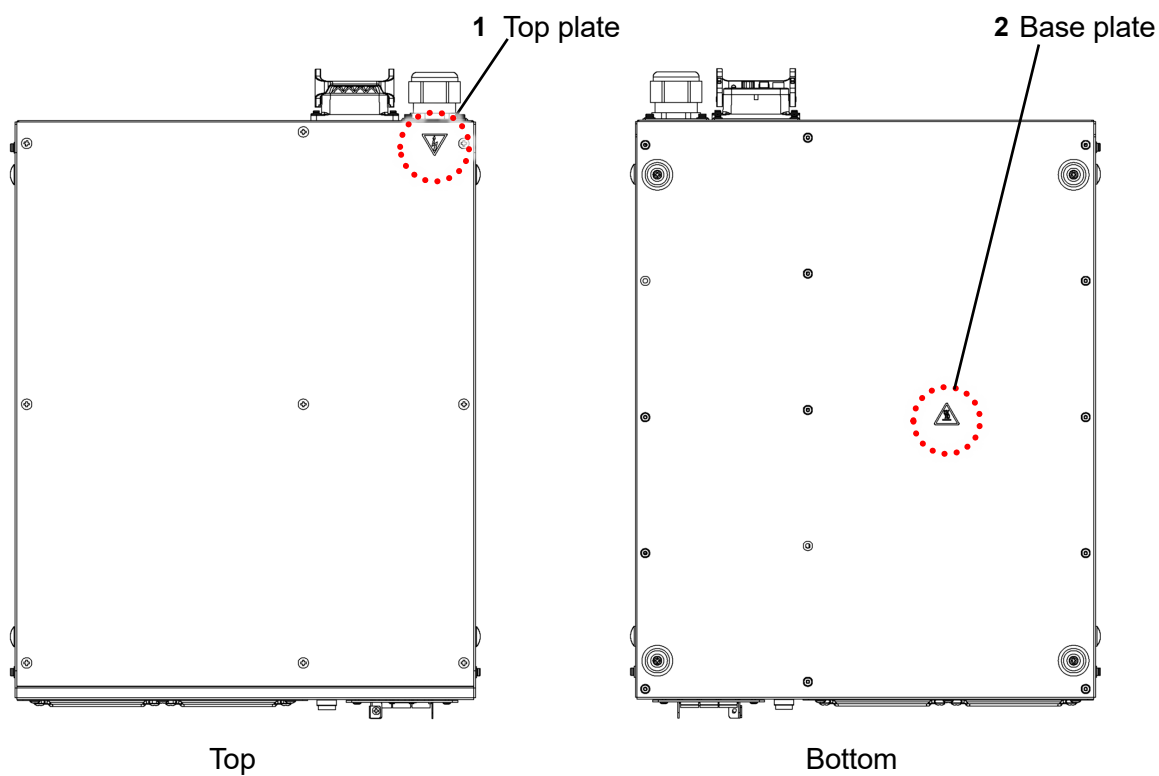
Electric shock and high temperature warning labels are affixed in the positions shown in the drawings below.

■ F01 controller



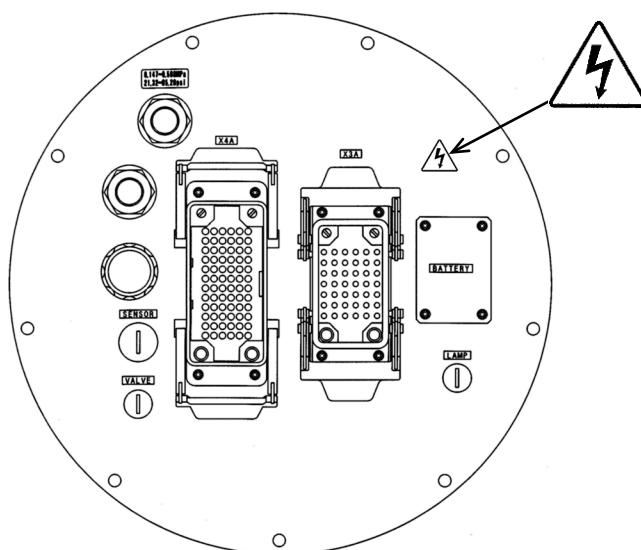
Note The location of the labels is the same for F02/F03/F04 controllers.

■ Transformer unit

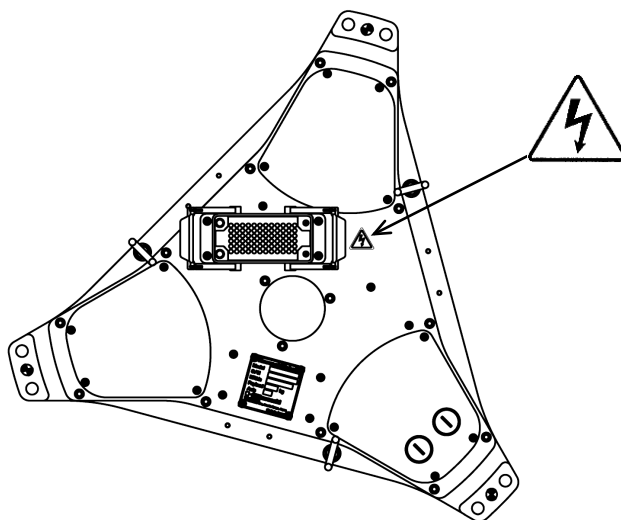


■ Arm base connector plate

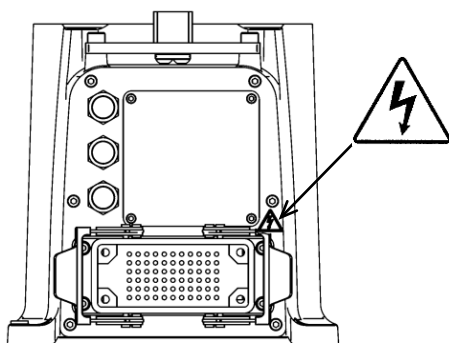
YF003N



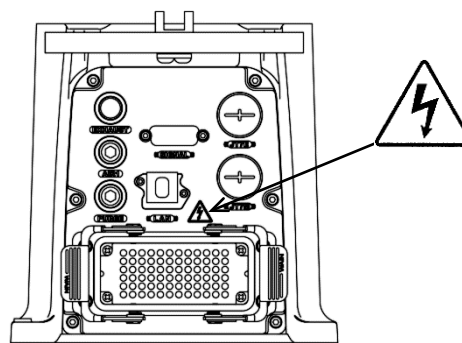
YF002N



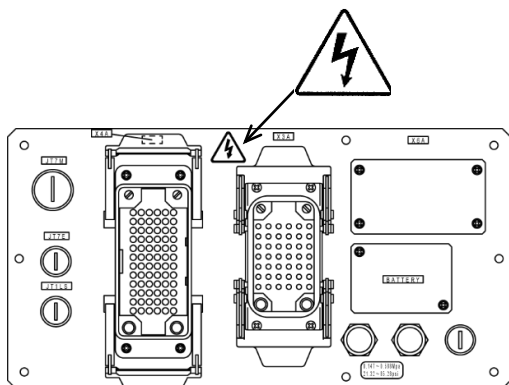
R Series 007N/007L
RS007N-A/RS007L-A



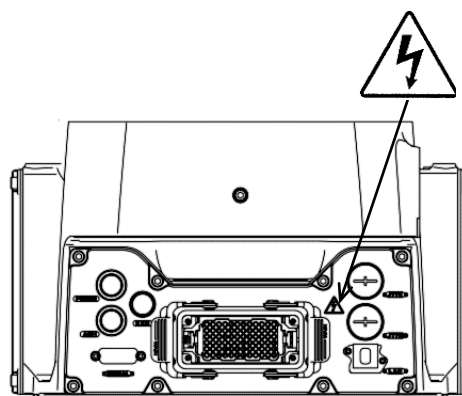
RS007N-B/RS007L-B



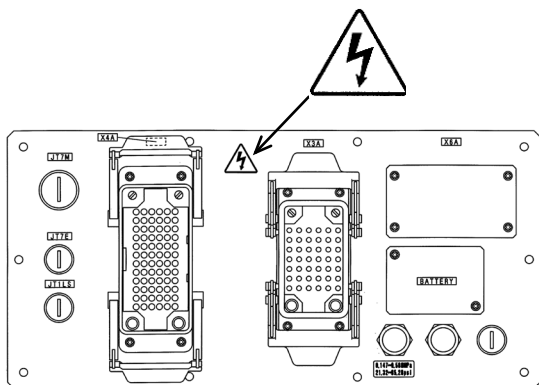
R Series 010N/006L



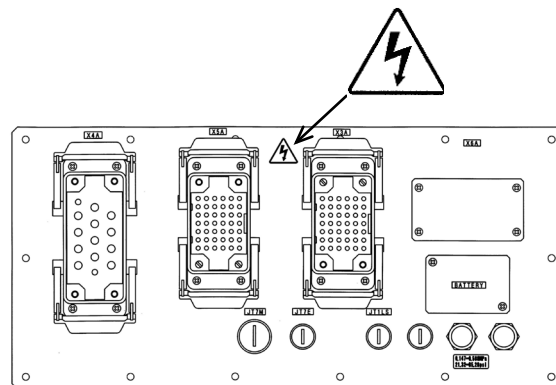
R Series 013N



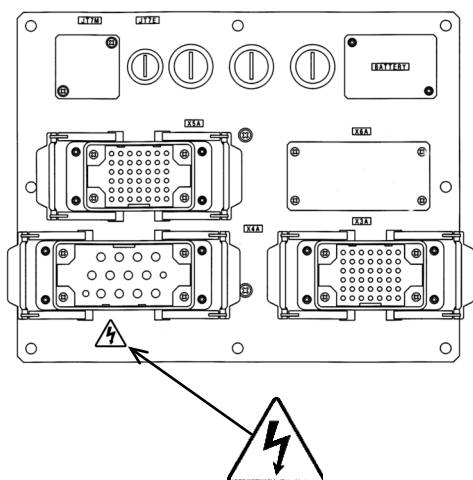
R Series 020N/010L



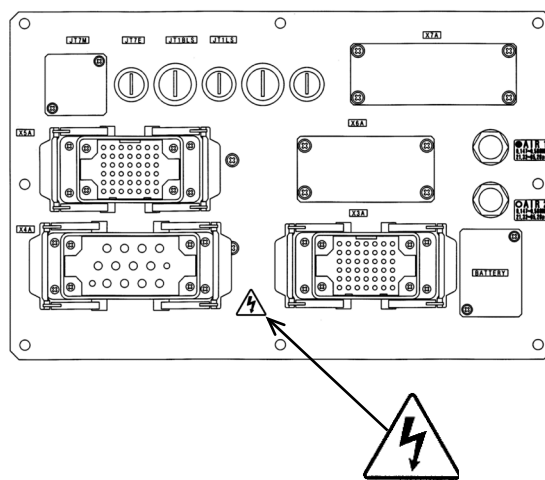
R Series 030N/050N/080N/015X



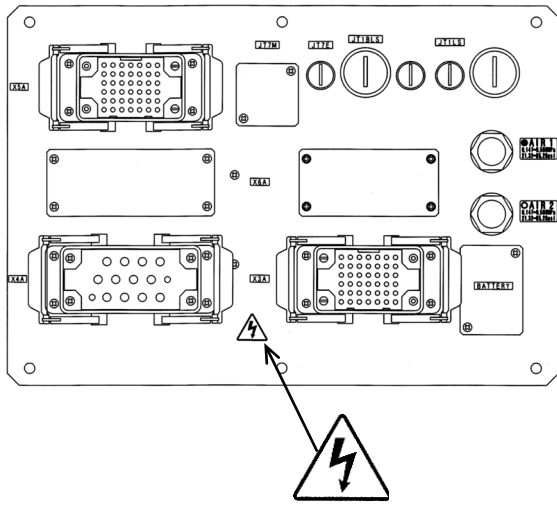
ZH Series



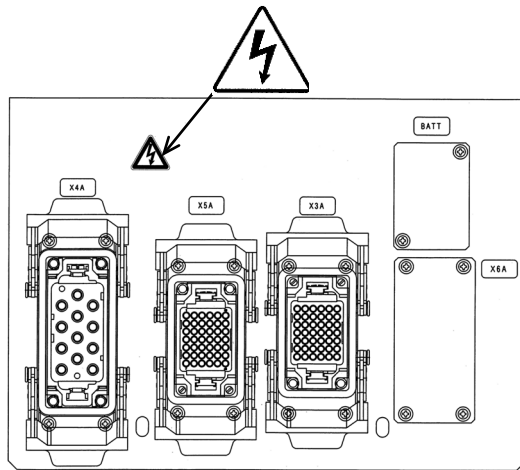
ZX/ZT Series



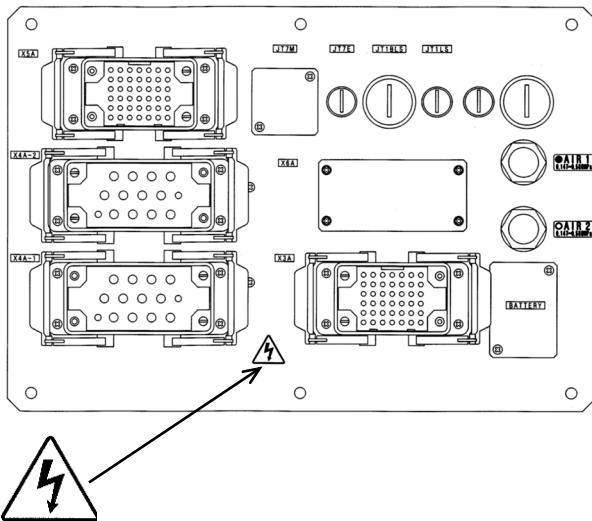
MT Series



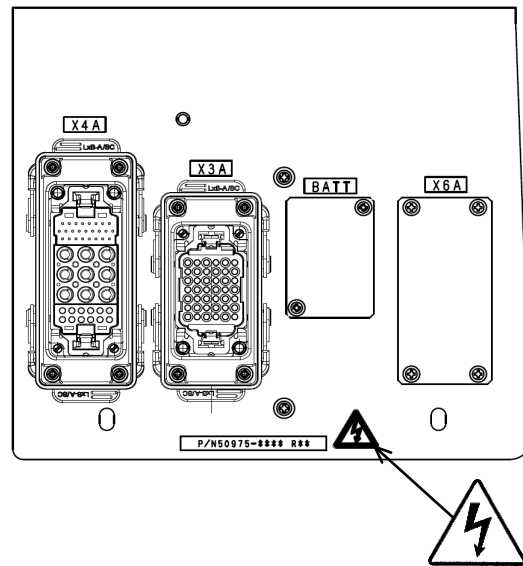
B Series



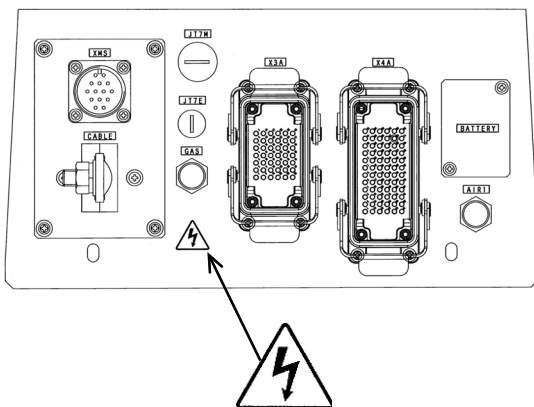
MX Series



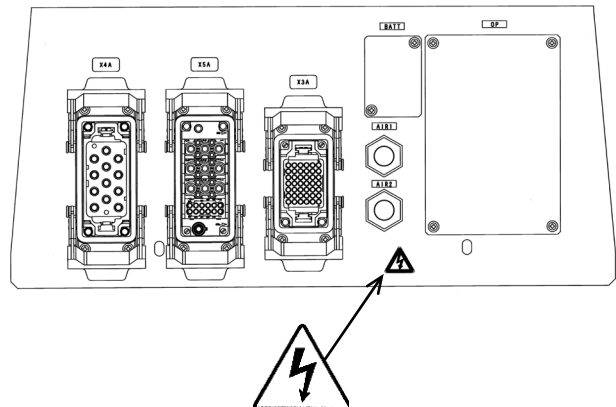
BXP Series



BA Series



CP Series



1.6 Use and Disposal of Fuses and Batteries

Within the robot arm and the controller, various batteries are used for data back-up. Misuse or mishandling of batteries may not only cause malfunctions, but may also lead to ignition, heating, rupture, corrosion, leakage etc. The following cautions should be strictly observed.



WARNING

1. Only use the batteries specified by Kawasaki.
2. Do not charge, disassemble, modify or heat the batteries.
3. Do not dispose of batteries in fire or water.
4. Do not use batteries with surface damage.
Doing so might cause them to short internally.
5. Do not allow metal objects such as wires, etc. to short the positive and negative terminals on the batteries.



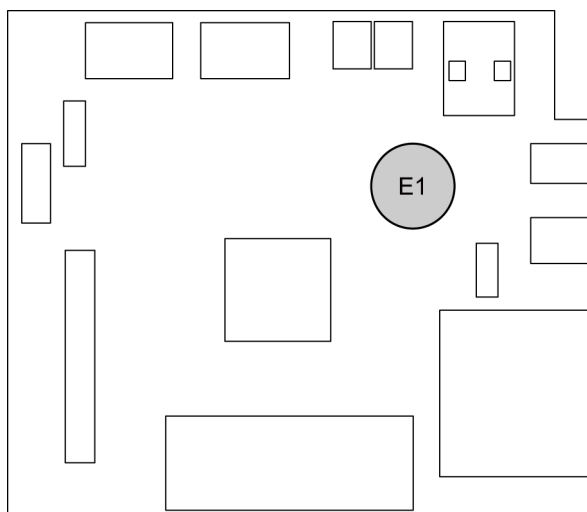
CAUTION

Do not dispose of no longer needed batteries along with other garbage disposed of in landfills.
When disposing of batteries, insulate them with tape or something similar so that they do not touch other metal objects, and be sure to follow any local ordinances or regulations.

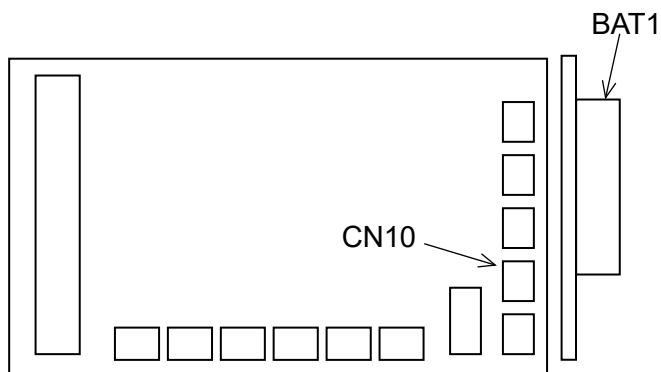
■ **Battery mounting location**

The positions of the batteries on the 2AA board and the 1HG board are shown below.

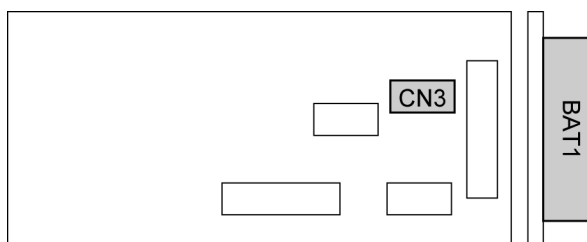
- 2AA board
 Location Number: E1
 Part Model: BR2032
 Manufacturer: Panasonic



- 1FG board (inside robot base)
 Location Number: BAT1
 Part Number: 50750-1007 or
 50750-1018
 Manufacturer: KHI
 Connector: CN10

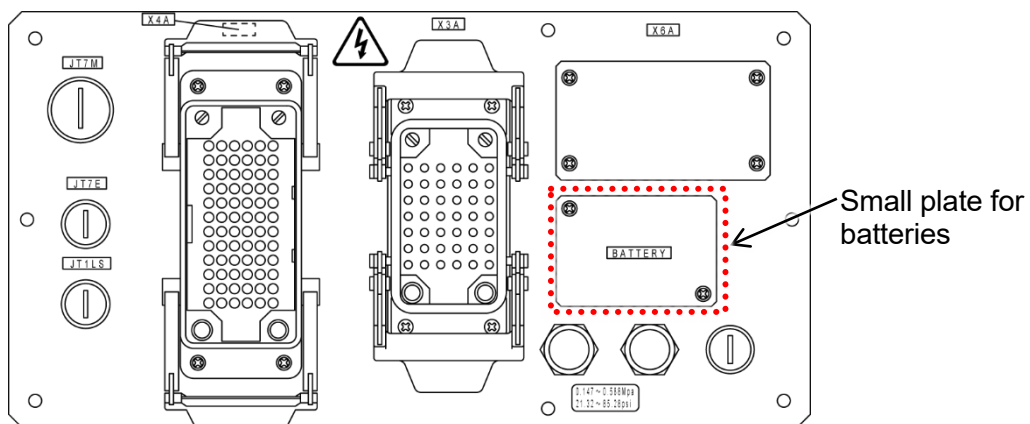


- 1HG board (inside robot base)
 Location Number: BAT1
 Part Model: 50750-1007 or
 50750-1018
 Manufacturer: KHI
 Connector: CN3



- Replacement method

It is possible to replace by simply removing the small plate labeled "BATTERY."



1.7 Safety Specification

To ensure user safety, Kawasaki's robot systems are equipped with the following features.

1. All emergency stop switches are hard wired.
2. A dual-system safety circuit is installed on this controller.
Both safety circuits must be connected in order to operate the robot in teach and repeat modes. For details, see the "External I/O Manual."
3. The controller safety circuits satisfy ISO 13849-1 category 4 PLe requirements.
The category and PL are determined on a system-wide basis.
4. For arms equipped with a servo ON lamp, the servo ON lamp will light up when motor power is supplied.
5. Emergency stop switches are equipped to the TP and operation panel.
External emergency stop inputs are also available.
6. TP is equipped with three position enabling switches.
It is necessary to push and hold down the enabling switch to operate in either teach or check mode.
7. The maximum TCP speed in teach mode or check mode is restricted to 250 mm/s (10.0 in/s).
8. The optional Fast Check mode switch enables a speed limit of 250 mm/s (10.0 in/s) or more during check operations. (Based on ISO 10218-1)



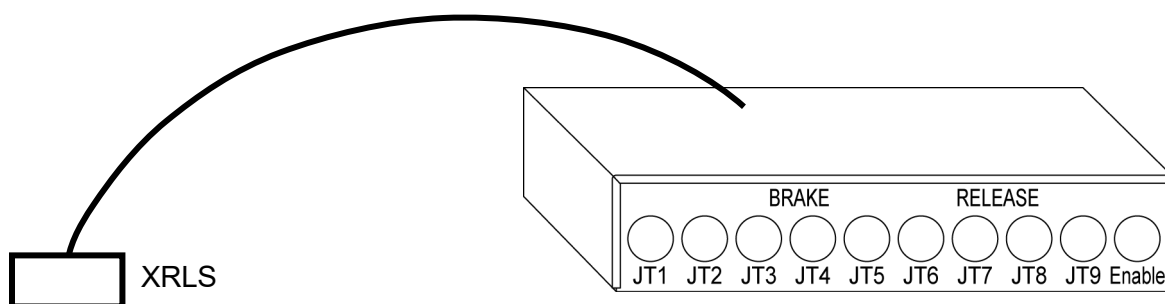
WARNING

If the robot is operated using the Fast Check function, have all personnel exit from the safety protection area and perform checks from outside the safety fence.

1.8 Arm Movement without a Motor Driven Power Supply (During Emergencies or in Abnormal Situations)

During emergencies or in abnormal situations, the (optional) brake release switch can be used to move the arm without a motor-driven power supply.

- Brake release switch box (optional)



Part number

- Non-CP Series: 50818-0067
- For CP Series: 50818-0068

■ Precautions

If no motor driven power is supplied to the arm, the electromagnetic brakes lock in order to maintain the posture of the robot. There is a possibility that unsupported axes may fall when the brake release switch is pressed.

Note that depending on conditions, the overhanging axes (especially axes JT2 and JT3) will drop the fastest.

! WARNING

When operating the switch, stand in a position where you are able to see the entire robot, and keep your attention focused on the arm at all times.

■ Work procedure

Follow the instructions below when manually releasing each individual axis brake.

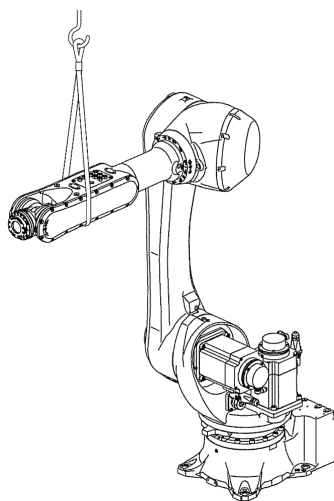
1. Press the Emergency Stop button on the controller or the TP to turn OFF the motor power.
2. Check that the safety countermeasures are working.
 - No personnel near the robot
 - The safety fence is plugged in

3. If there is a possibility of physical injury and/or damage to equipment, take appropriate measures to support the robot arm, and the load of the tool at the end of the arm, before using the brake release switch.

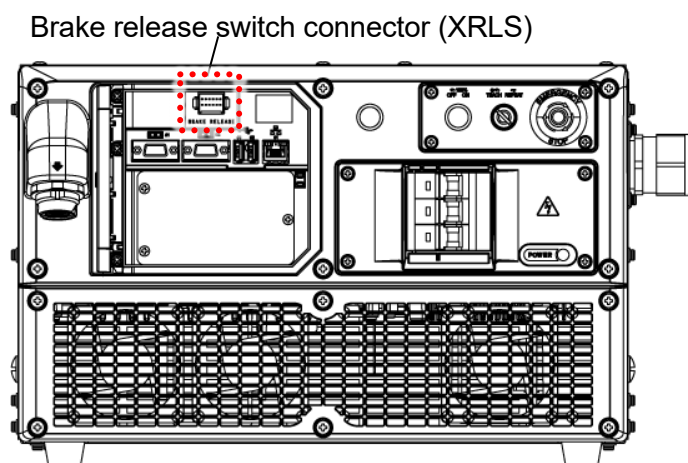
The robot arm can be supported using a crane and a wire. (Figure below)

! **WARNING**

Failure to take these measures could lead to an accident and/or robot failure.



4. Connect the harness from the brake release switch box to the brake release switch connector.
 - Brake release switch connector position on F0x controller

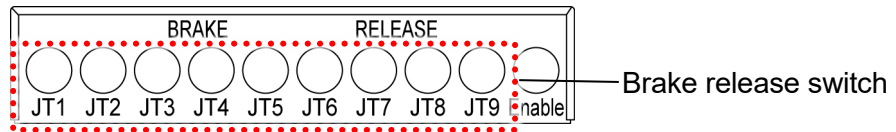


! **CAUTION**

To ensure that the brake release switch can be connected immediately to the XRLS connector in the event of an emergency, do not place anything in front of the connector.

5. Check that the brake is not released with a single switch.
 If the brake is released, stop using it immediately.

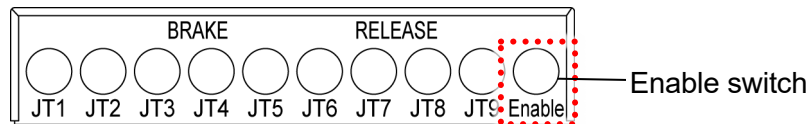
(1) Momentarily press the brake release switch for the target axis.



CAUTION

If the electromagnetic brake is released when a single switch is pressed, immediately stop using the brake release switch. The switch may be malfunctioning.

(2) Press and hold down the Enable switch.

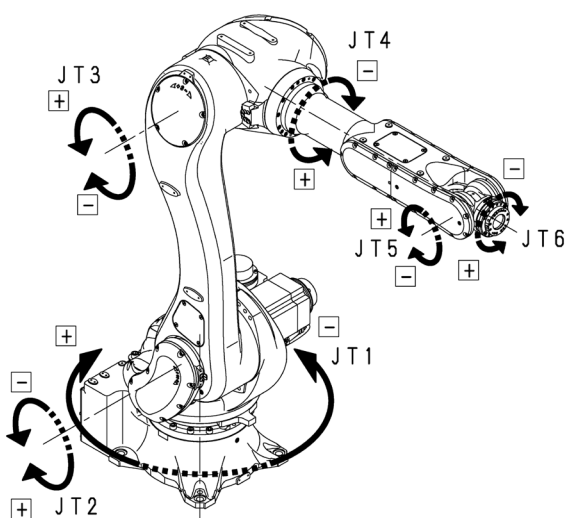


6. While holding down the Enable switch, press the brake release switch for the axis you wish to release.

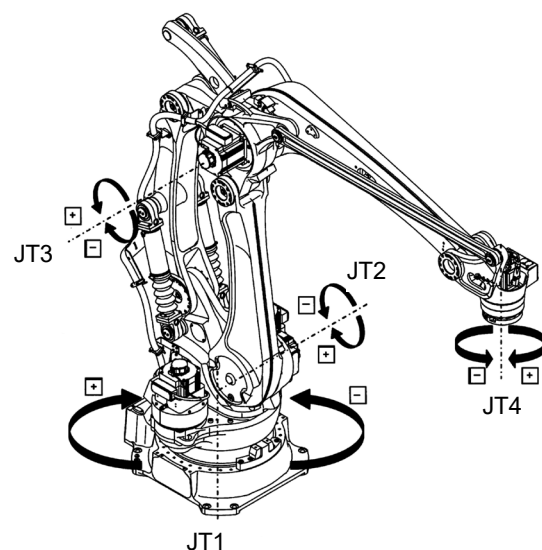
CAUTION

To ensure safety, release the brake for one axis at a time. Pressing two or more switches at the same time may result in an accident or robot malfunction.

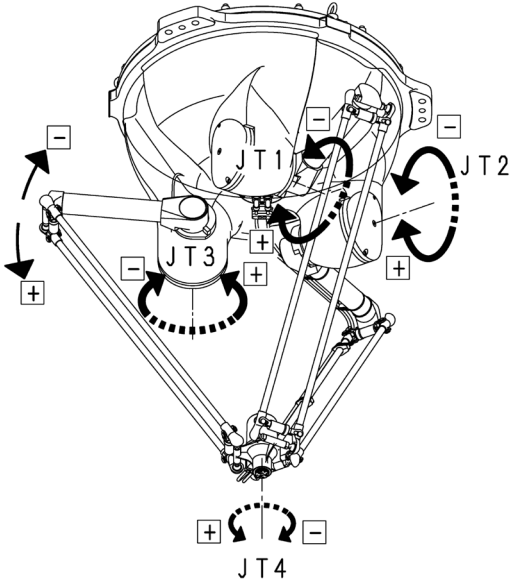
7. The brake remains released until the brake release switch is no longer engaged.
 - Brake release axis of the robot



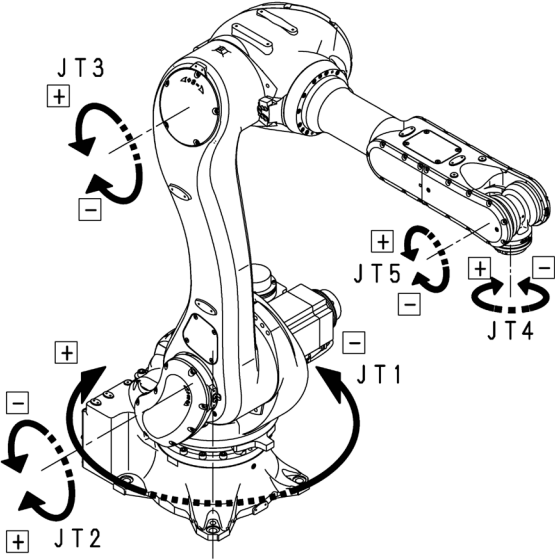
6-axis robot



CP Series



YF Series

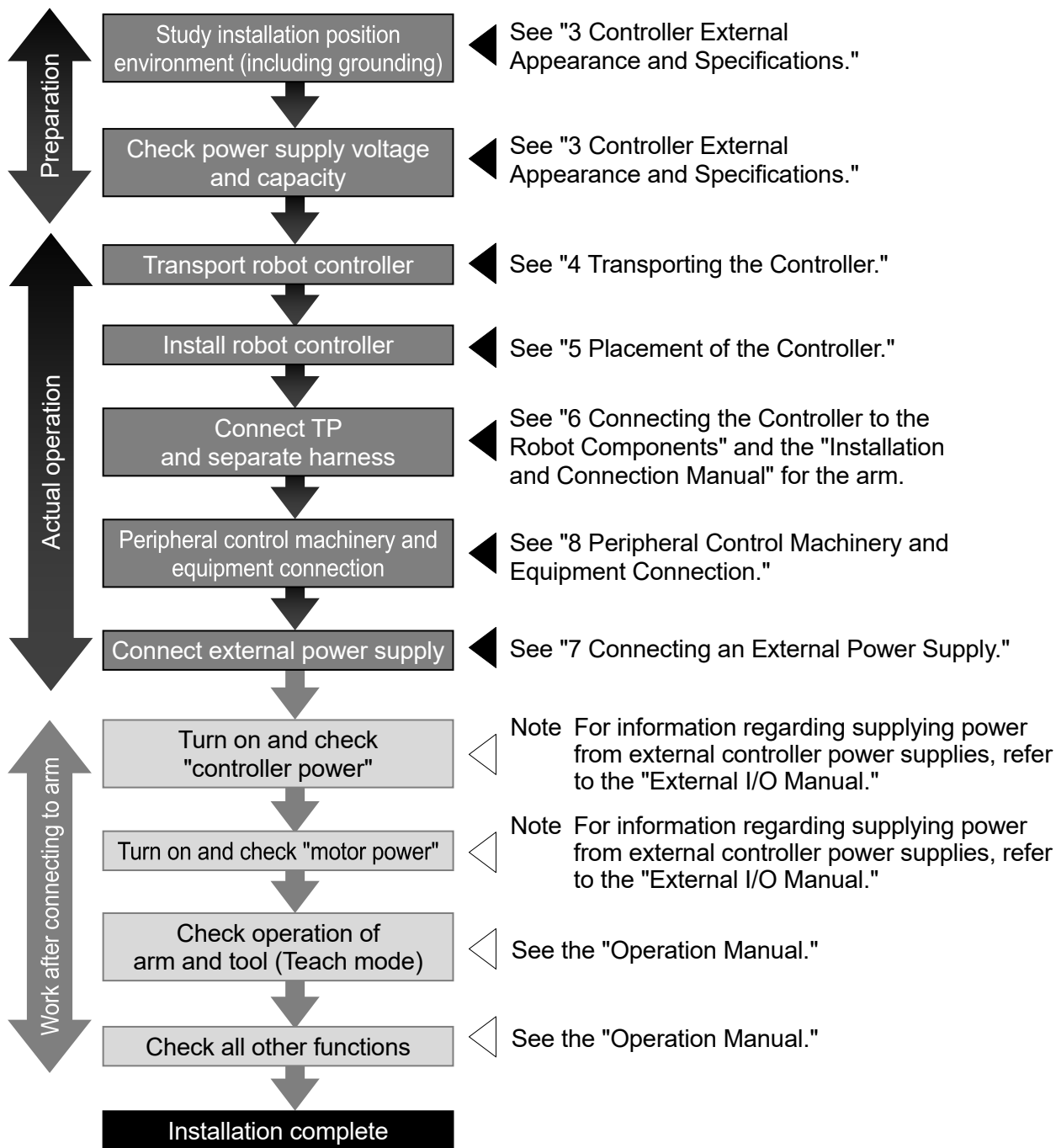


RD Series

2 Workflow to be Followed When Installing and Connecting the Controller

The workflow described here is for the robot controller.

See the arm's "Installation and Connection Manual" for more information regarding the arm section of the robot.



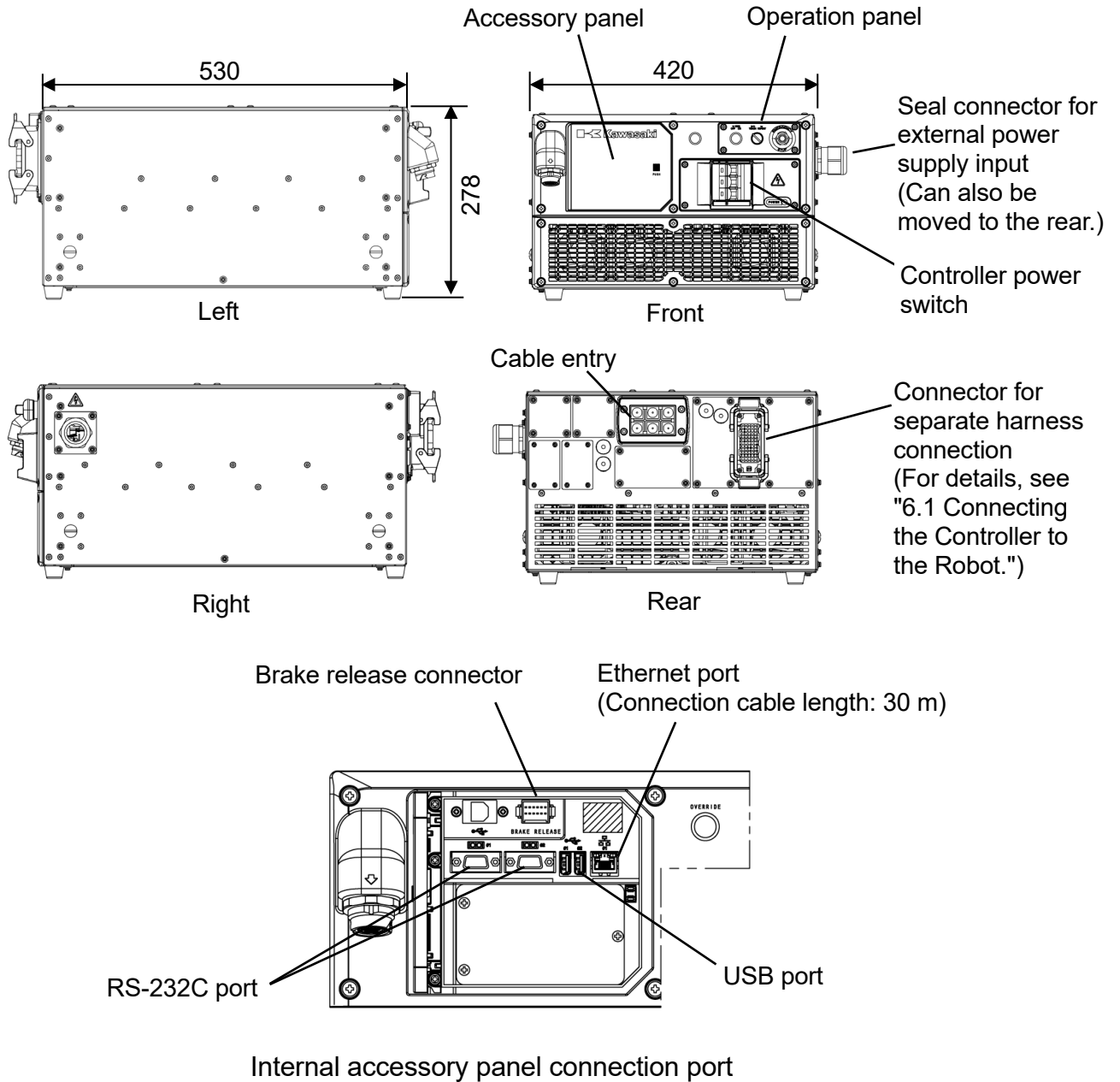
[NOTE]

This manual explains sections up to "Connecting an External Power Supply."

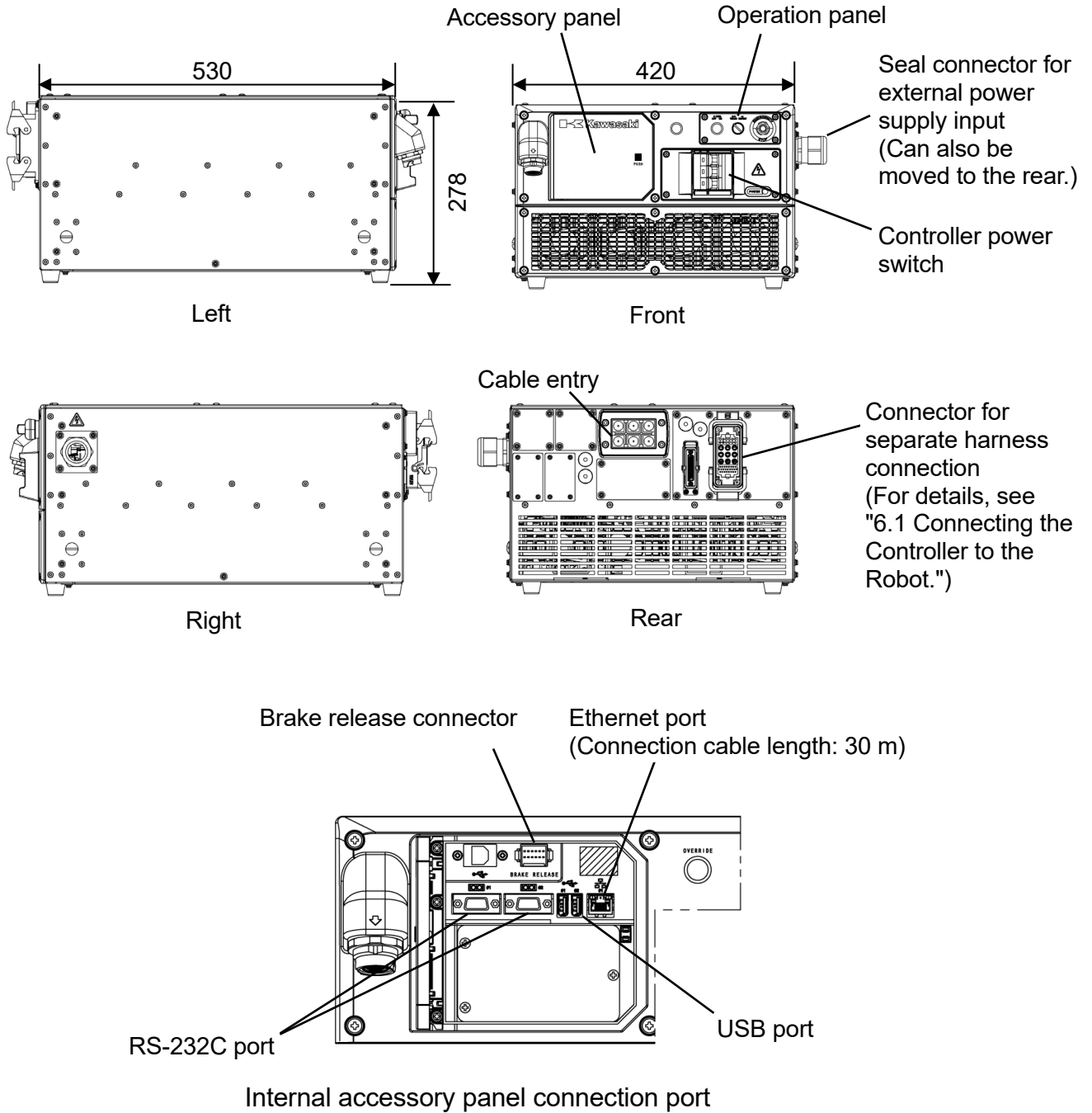
3 Controller External Appearance and Specifications

3.1 External Appearance of Controller

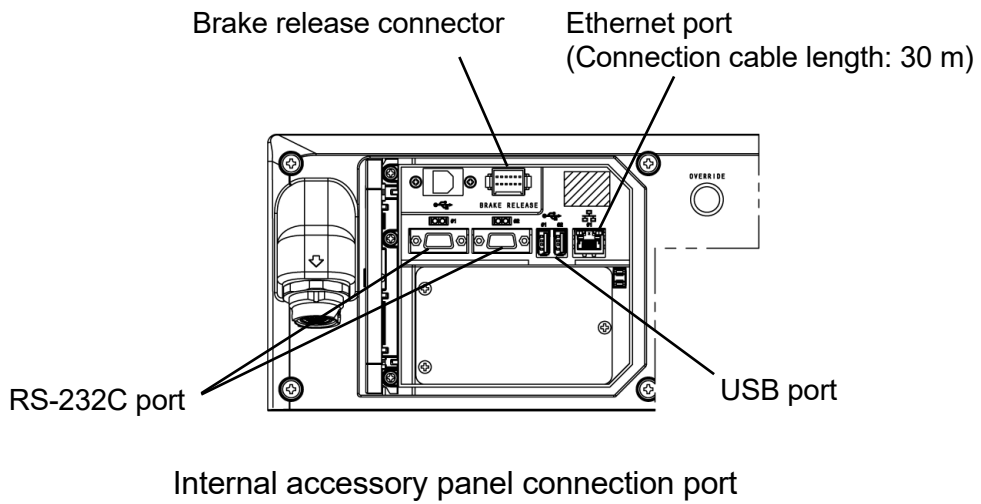
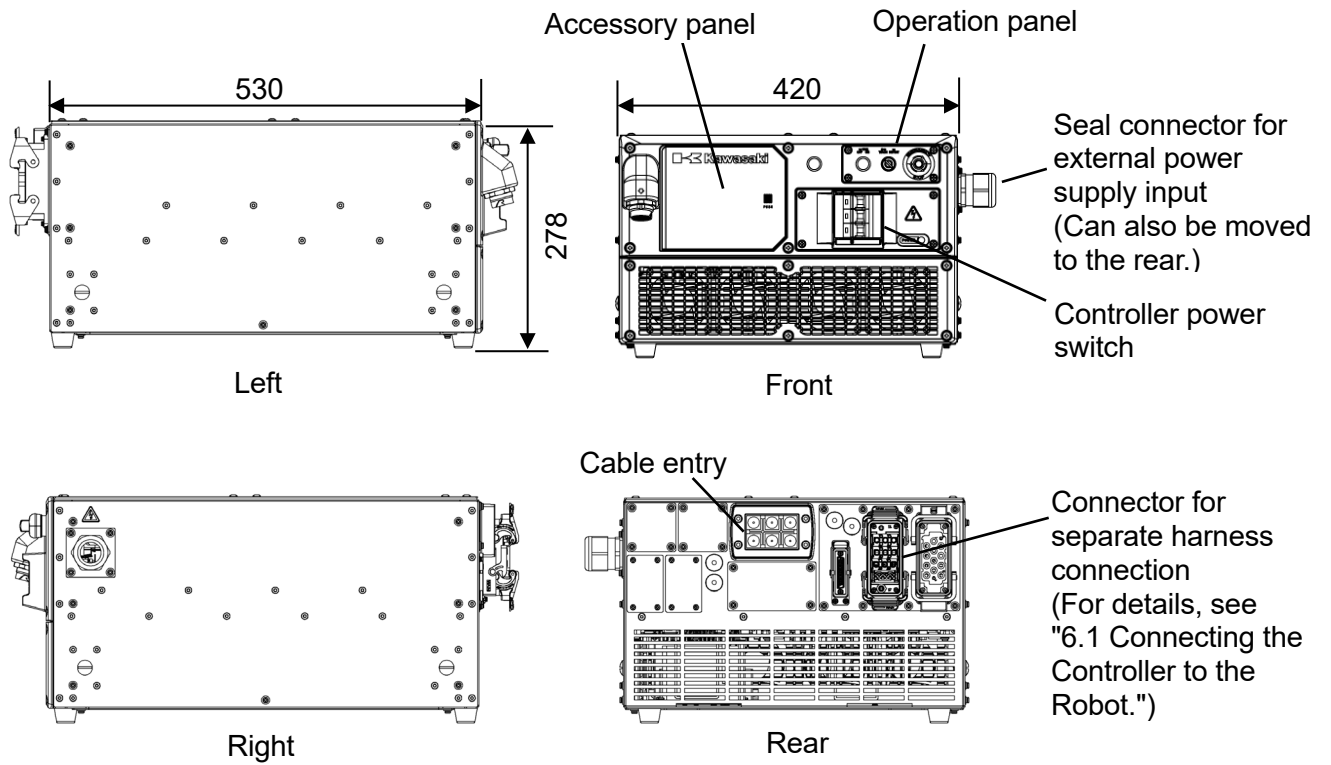
■ F01 controller



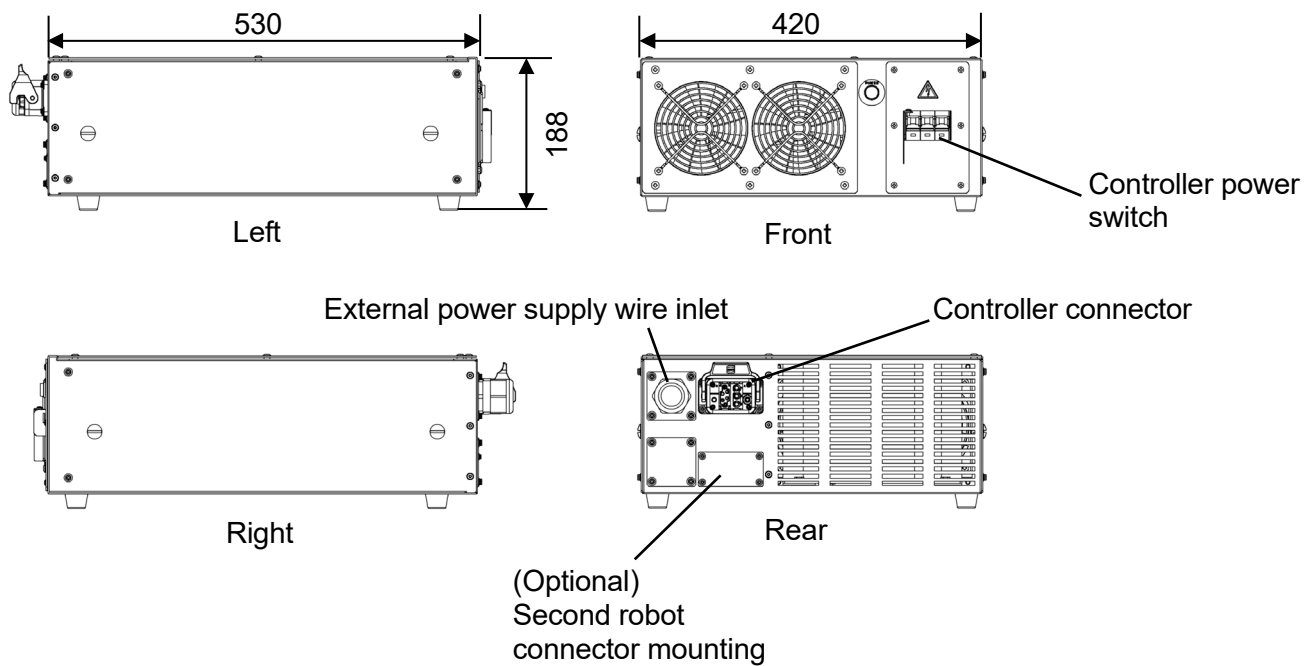
■ F02 controller



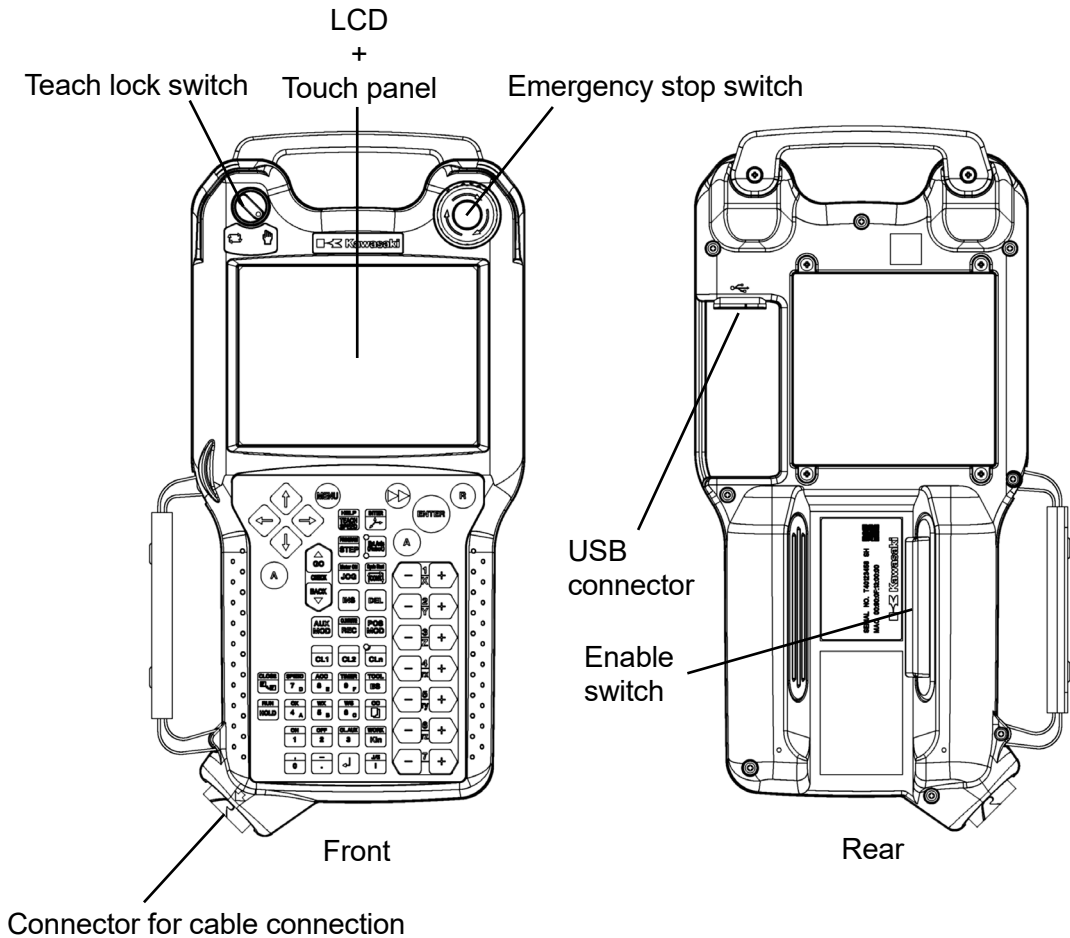
■ F03/F04 controllers



■ Transformer unit



3.2 External Appearance of TP



3.3 F0x Controller Specifications

■ Controller

Structure		Sealed structure, indirect cooling system
Mass^{*1}		F01: 20 kg F02/F04: 25 kg F03: 30 kg
Ambient environment	Temperature	0 to 45°C
	Humidity	35 to 85% RH (there must be no condensation)
	Elevation	0 to 1,000 m above sea level
	Pollution degree^{*3}	3 or lower
Vibration conditions	10 to 57 Hz	Half amplitude 0.075 mm
	57 to 150 Hz	1 G
Power supply^{*2}		AC200-220 V ±10%, 50/60 Hz, 3-phase AC200-230 V ±10%, 50/60 Hz, single phase (only some models)
Power supply capacity		See the following table "External power supply connection capacity and cable specification."
Grounding		Dedicated class D grounding or higher (100 Ω or less)
TP cable length		5 m/10 m/15 m/20 m/25 m/25 m/30 m/25 m/40 m/45 m

* 1 With no other options installed.

* 2 Single-phase operation is only possible when R Series 007 to 013N, BA006 or YF002 is connected to the F01 controller.

However, an optional transformer unit (400 V, 3-phase) is required in order to comply with the CE standards.

* 3 The pollution degree is specified in IEC60664-1.

■ Transformer unit

Structure		Sealed structure, indirect cooling system
Mass		42 kg
Ambient environment	Temperature	0 to 45°C
	Humidity	35 to 85% RH (there must be no condensation)
	Elevation	0 to 1,000 m above sea level
	Pollution degree	3 or lower
Power supply		AC380-415 V ±10%, 50/60 Hz, three phases, or AC440-480 V ±5%, 50/60 Hz, three phases (Switched by voltage control tap connector) Note To use AC440 V -5% or less, set the voltage control tap to 400 V.
Power supply capacity		See the following table "External power supply connection capacity and cable specification."
Grounding		Dedicated class D grounding or higher (100 Ω or less)

Length of cable connected to the controller	1 m (optional maximum 5 m)
--	----------------------------

■ External power supply connection capacity and cable specification

Destination	Connection arm model	Power supply capacity	Recommended power cable size (including ground wire)	Power cable length
F01 controller	R Series 007 to 020 BA Series Y Series	Maximum 5.6 kVA	3.5 mm ² or more (AWG #12 or higher)	200 m or less
F02 controller	R Series 030 to 080 Z Series MT Series B Series BXP Series	Maximum 7.5 kVA	5.5 mm ² or more (AWG #10 or higher)	200 m or less
F03 controller	RD Series CP Series	Maximum 12 kVA	5.5 mm ² or more (AWG #10 or higher)	200 m or less
F04 controller	MX Series	Maximum 12 kVA	5.5 mm ² or more (AWG #10 or higher)	200 m or less
Transformer unit		Maximum 12 kVA	5.5 mm ² or more (AWG #10 or higher)	200 m or less

■ Specification of external power supply connection circuit breaker inside controller

Destination	Rated current	Rated voltage	Rated breaking capacity
F01/F02 controllers	30 A	AC277 V	10 kA (UL489)
F03/F04 controllers	40 A	AC240 V	10 kA (UL489)
Transformer unit	25 A	AC480 Y/277 V	10 kA (UL489)

4 Transporting the Controller

When transporting the controller, follow the procedure below.

4.1 Lifting with Wire

F0x Series controllers cannot be lifted with wire by themselves. If transporting a controller by itself, see "4.2 Transportation by Two People." Lifting the transformer unit by itself with wire is possible, or optional connector brackets can be used to suspend both the controller and transformer unit.

When lifting with wire, mount the following eyebolts into the M10 tapped holes shown in the figure below. (Manufacturer: TAKIGEN, Model: B-130-10 or equivalent product) Ensure that the thread length of the eyebolts does not exceed 25 mm.



WARNING

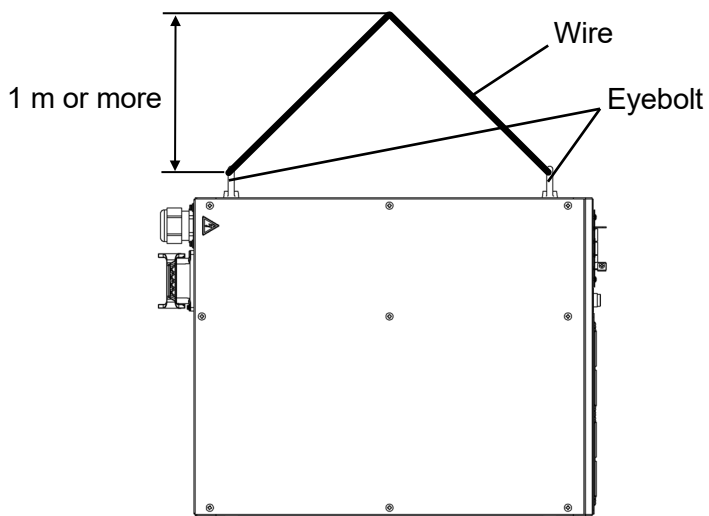
1. Under no circumstances should people be used to support a suspended controller, nor should they walk underneath or approach a controller while it is suspended.
2. Hook the wire to the eyebolts in the manner shown below.
3. Check that the eyebolts are not loose and if loose tighten them. Failure to tighten them may cause the controller to fall and break.



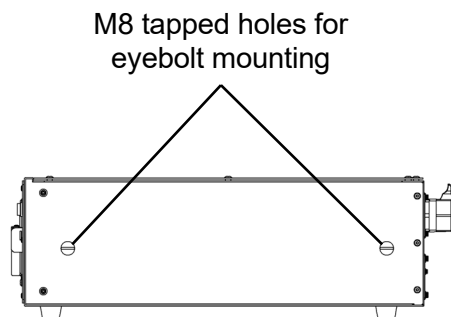
CAUTION

1. Use wires, cranes, and other equipment which is able to withstand loads of 200 kg or greater when the full complement of optional products are installed on the controller.
2. Remove teach pendants when lifting with wire.
3. Be sure to use a wire length of 1 m or greater as shown in the following figure.
4. Be aware that the controller may tilt when lifted.
5. Make sure that the cables do not get caught on other equipment, etc.

Transformer unit

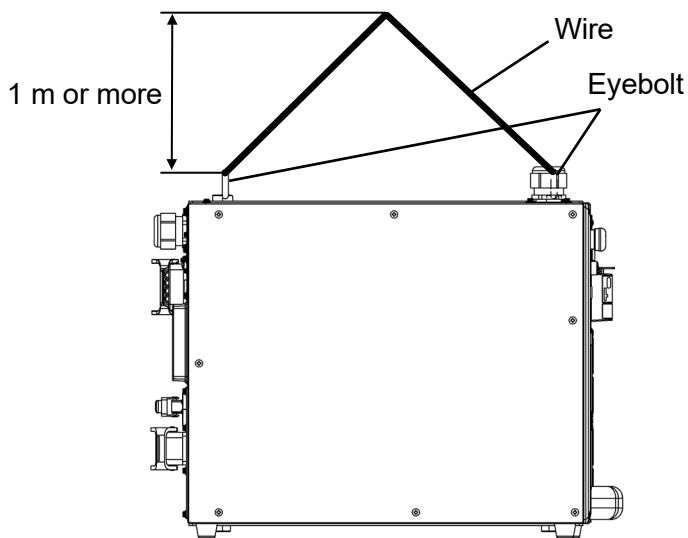


Top of transformer unit

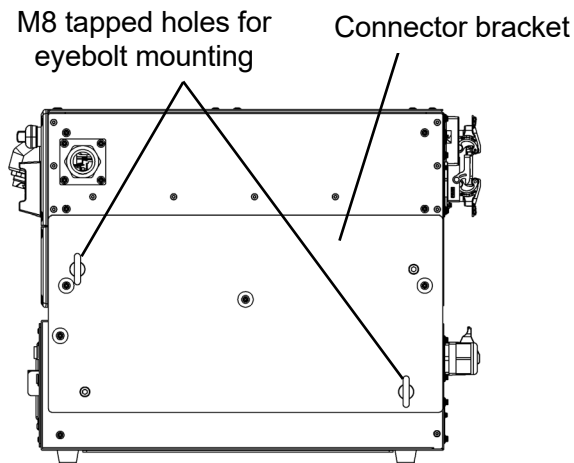


Right side of transformer unit

Controller + transformer unit when connected



Top of controller +
transformer unit



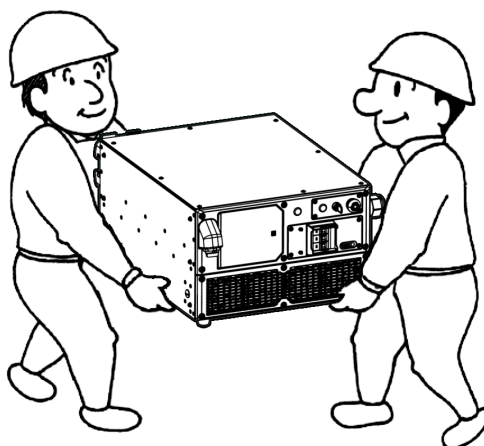
Right side of controller +
transformer unit

4.2 Transportation by Two People



CAUTION

1. Remove the teach pendant.
2. During transport, be careful not to subject the unit to shock or impact.
3. Since the gap between the base surface and the floor is narrow (18 mm), it is important to lift one side at a time. After lifting your side a little, place your fingers securely underneath to get a proper grip and then raise the unit.
4. Because the controller is heavy (F01: 20 kg, F02/F04: 25 kg, F03: 30 kg, transformer unit: 42 kg), do not attempt to hold it using only your fingertips.



5 Placement of the Controller

5.1 Horizontal Placement of the Controller

The F0x controller is placed horizontally as standard.

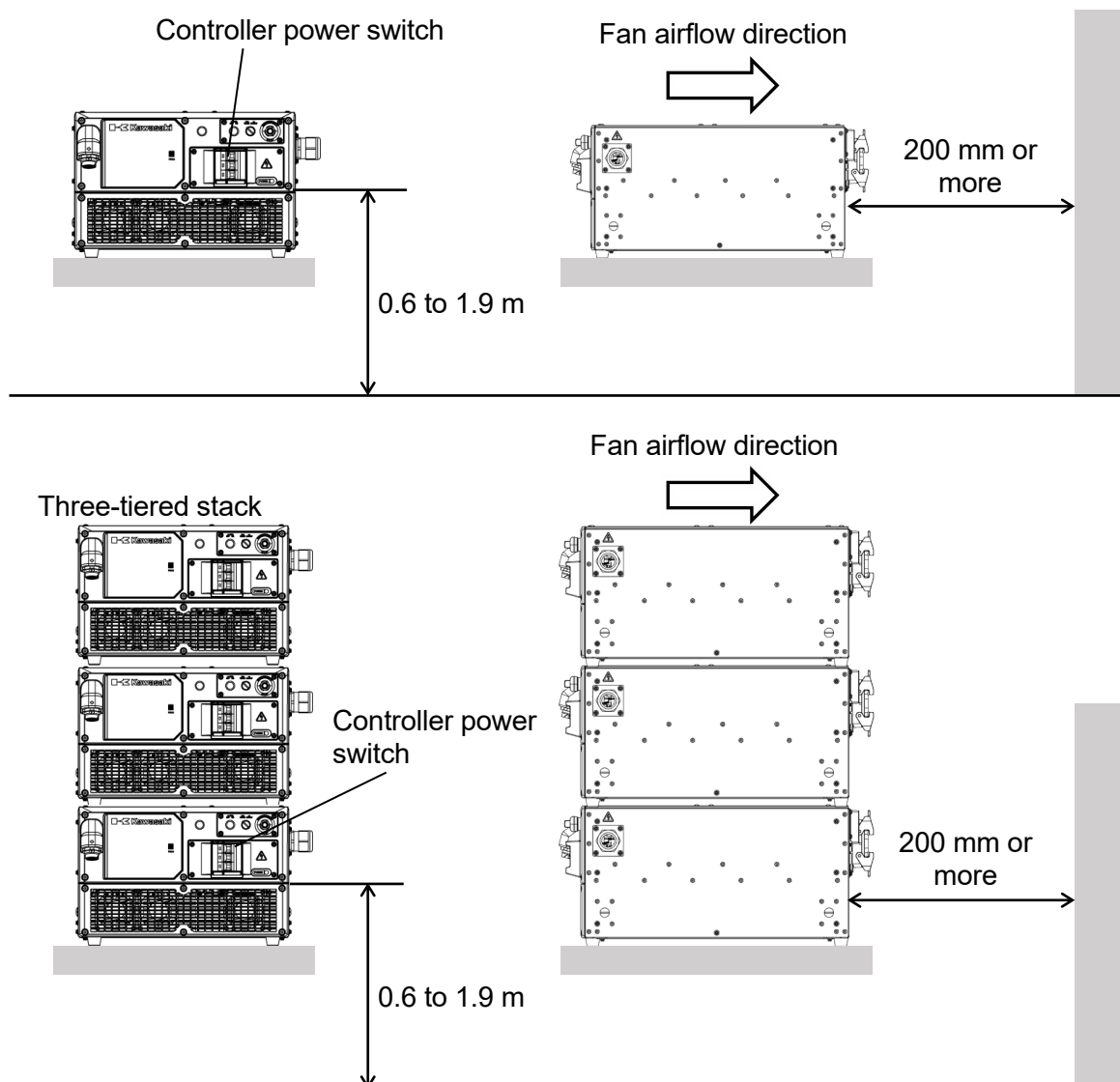
When setting the controller in place, be sure to follow the instructions below in order to keep its internal temperature at a suitable level.

■ Precautions

- Three-tiered stacking of controllers is possible when placed horizontally.
- Objects placed on top of the controller will need to be removed when maintenance is to be carried out.

■ Placement location

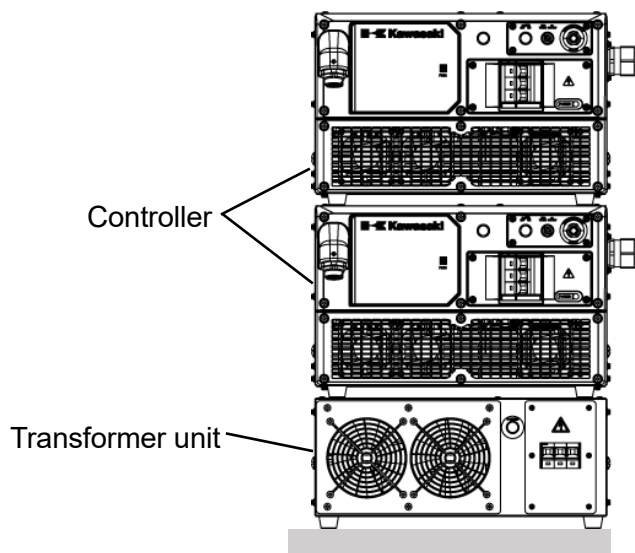
- The controller should be placed on a flat stand high enough to ensure that the controller power switch/operations switch is 0.6 to 1.9 m above the floor.
- The rear of the controller should be at least 200 mm clear of the nearest wall.



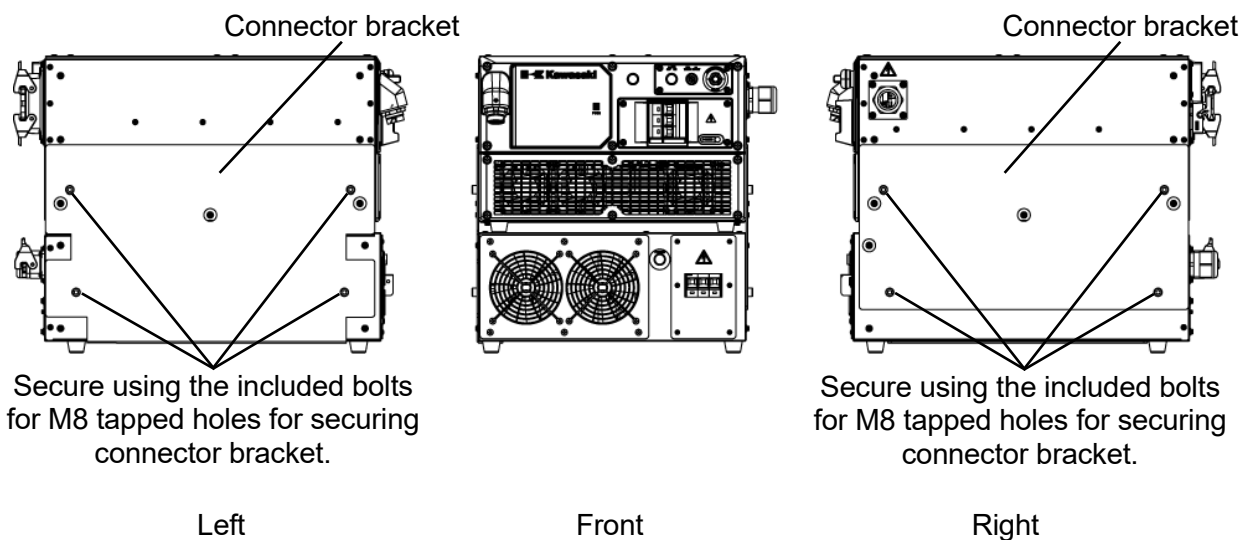
Also, two-tiered stacking with a transformer unit is possible when placed horizontally.

■ **Precautions**

- Transformer units cannot be stacked on one another.
- Up to two controllers can be stacked on top of a transformer unit.
- The placement requirements are the same as those for controllers.



Controllers and transformer units can be connected using an optional connector bracket (part number: 50833-0455) as shown in the figure below.



5.2 Vertical Placement of the Controller

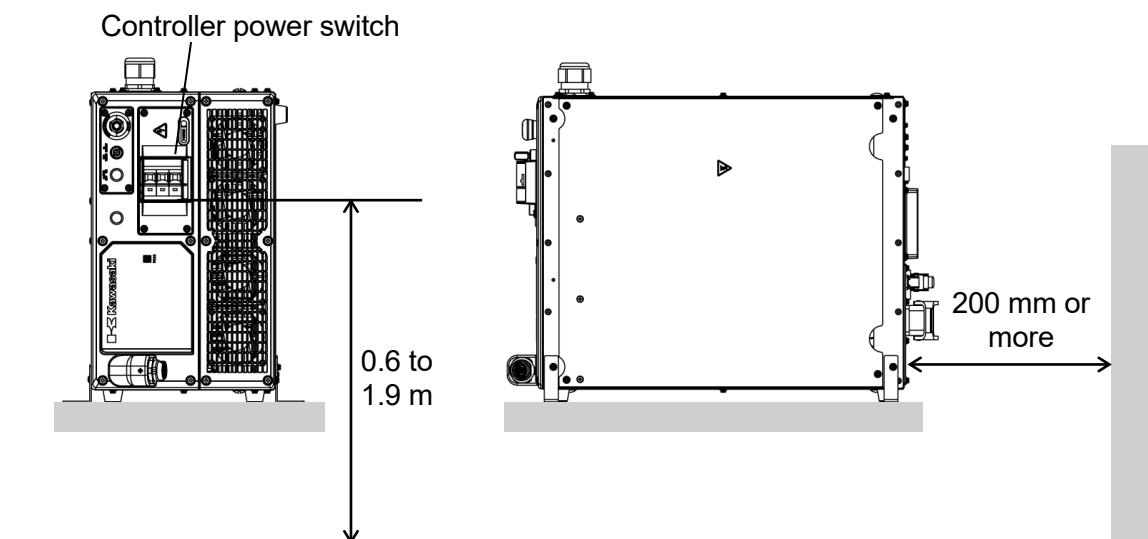
When placing the controller vertically, be sure to follow the instructions below.

■ Precautions

- If the controller is placed vertically, objects may not be placed on top of it.
- Mount the rubber feet to the bottom.
- Create the fixing bracket shown in "5.3 Tap Positions on the Side of the Controller" and secure the controller so that it does not fall over.

■ Placement location

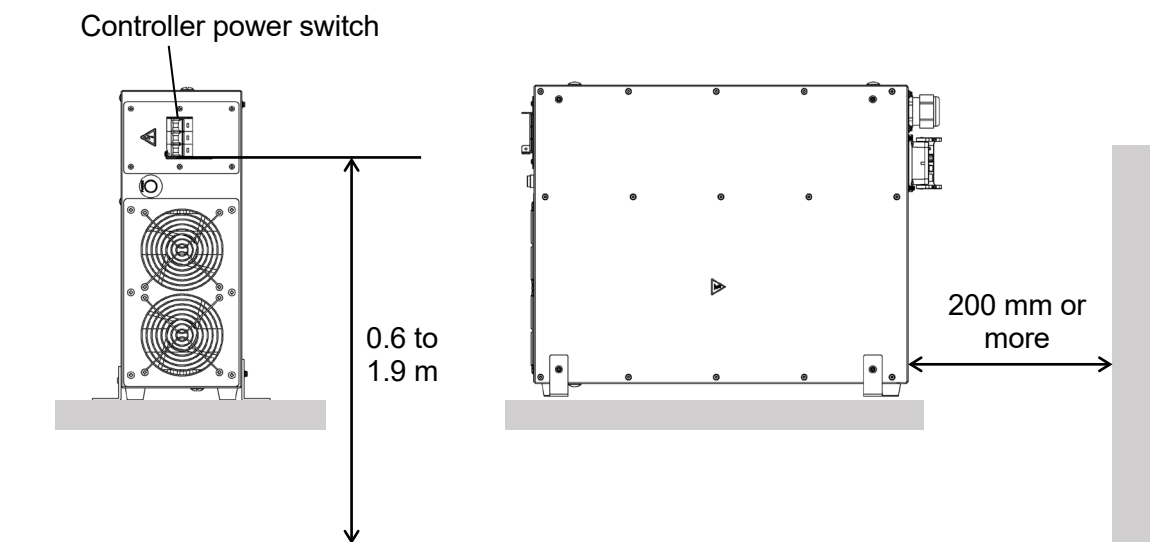
- The controller should be placed on a flat stand high enough to ensure that the controller power switch/operations switch is 0.6 to 1.9 m above the floor.
- Place the unit with the controller power switch facing up.
- The rear of the controller should be at least 200 mm clear of the nearest wall.



When placing the transformer unit vertically, be sure to follow the instructions below.

■ **Precautions**

- If the controller is placed vertically, objects may not be placed on top of it.
- Mount the rubber feet to the bottom.
- The placement requirements are the same as those for controllers.

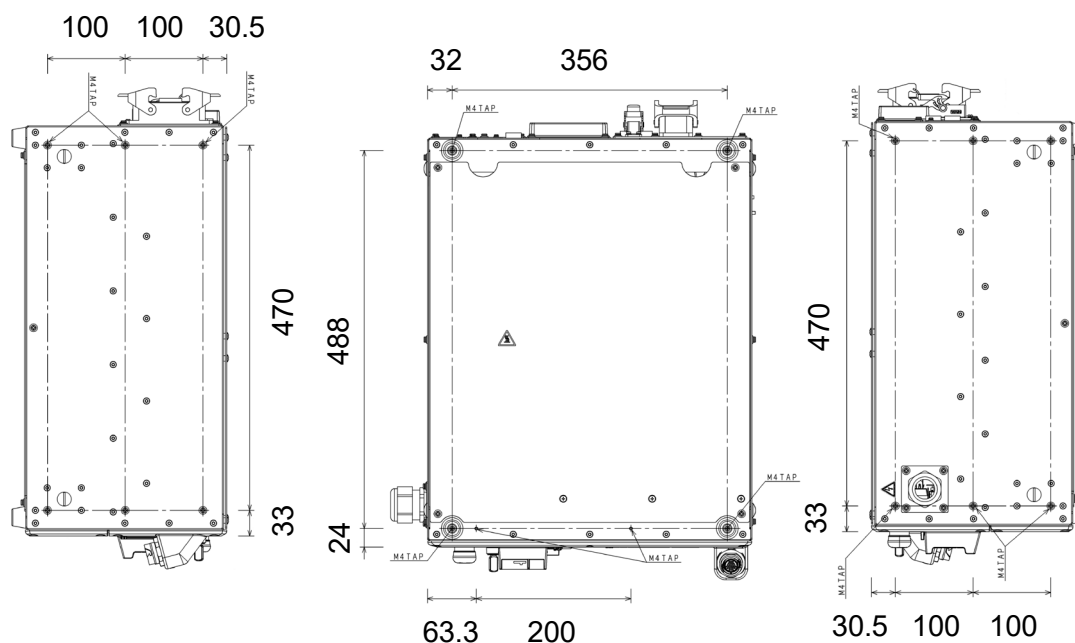


5.3 Tap Positions on the Side of the Controller

If the tapped holes below are to be used, take care that the bolts do not interfere with internal parts.

Refer to the figure below for the length of the bolts to be used.

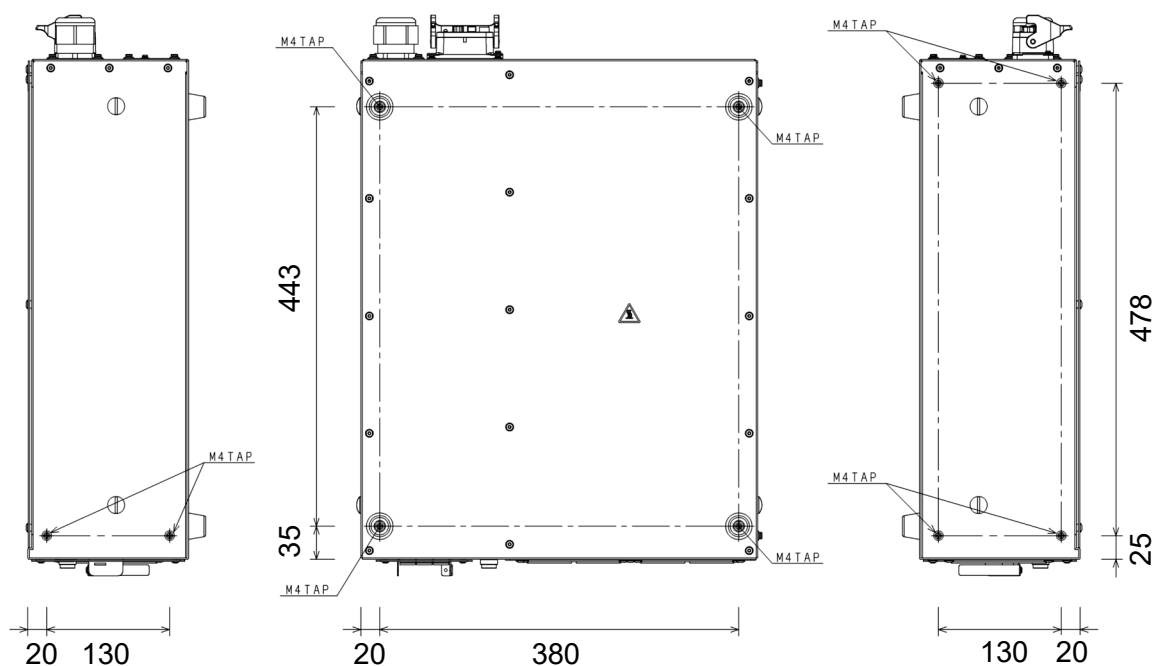
■ F0x controller



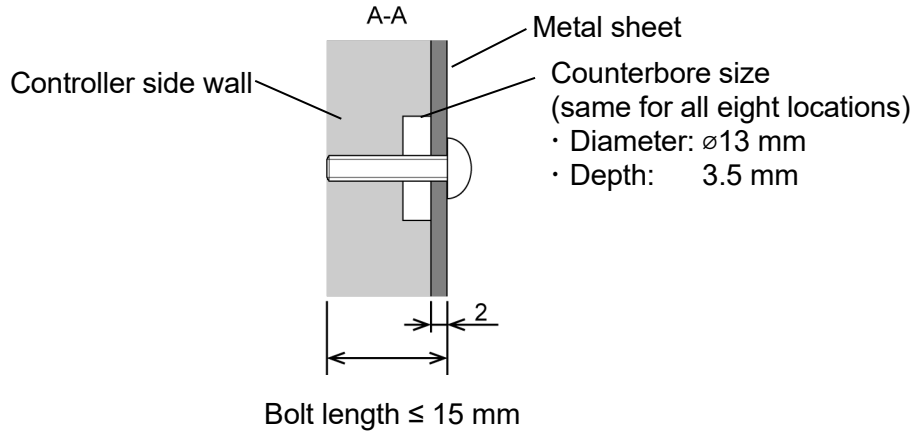
■ Transformer unit

If the tapped holes below are to be used, take care that the bolts do not interfere with internal parts.

The length of the bolts used is the same as those used for the controller.



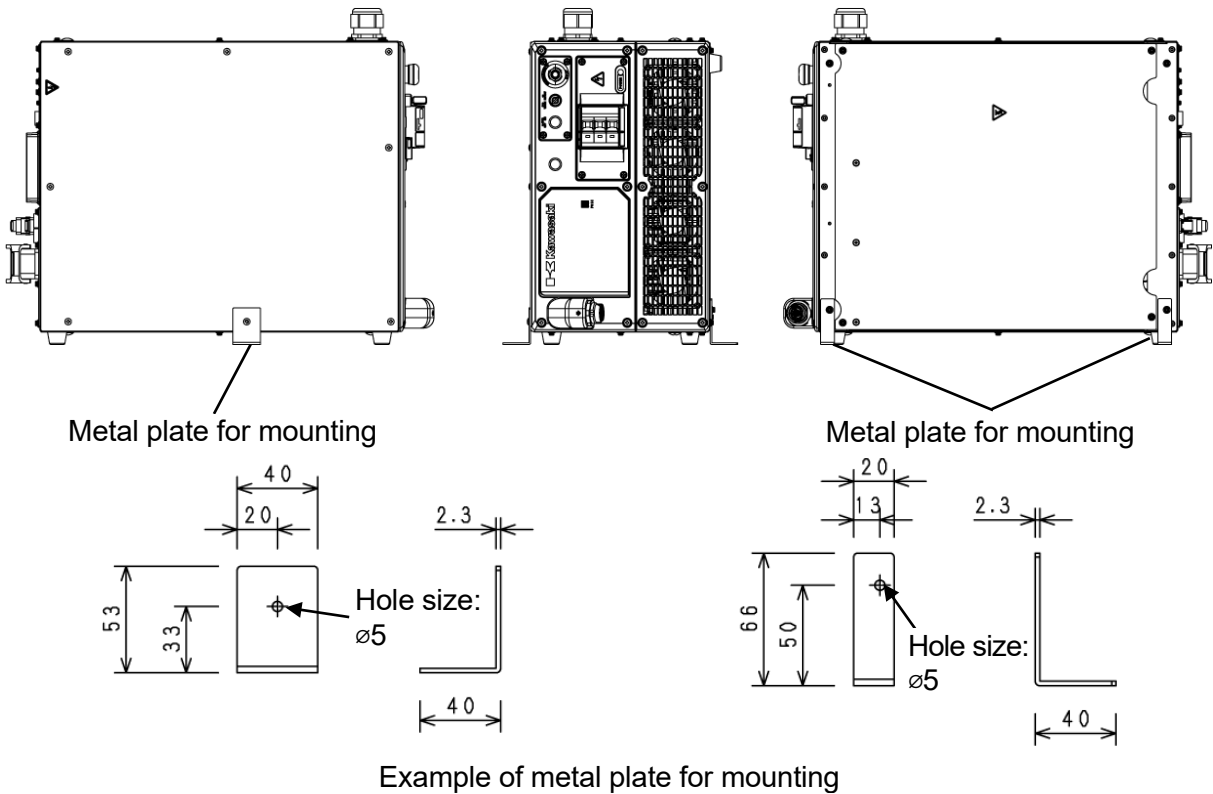
Example: When securing the controller to a metal sheet with a thickness of 2 mm, the bolt length should be 15 mm or less.



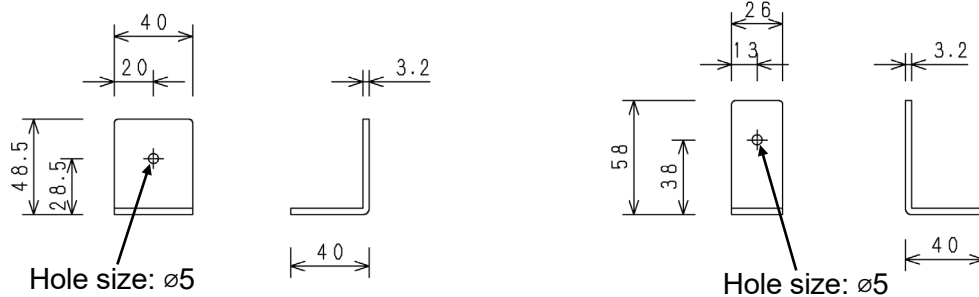
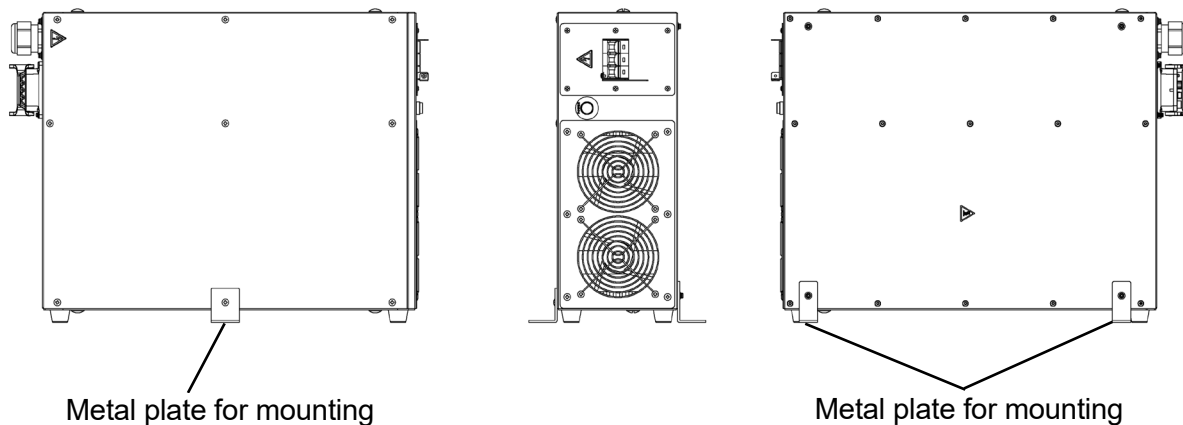
Example: How to secure the controller

[NOTE]

When using the controller in a vertical position, the position at which the metal plate for mounting the controller is secured must be indicated by being marked or labeled.
 Use a metal plate and fixing screws with sufficient strength.



Example: How to secure the transformer unit



Example of metal plate for mounting

6 Connecting the Controller to the Robot Components

6.1 Connecting the Controller to the Robot

When connecting the controller to the robot, strictly observe the following cautions.



WARNING

To prevent electric shocks, do not connect the external power supply until the connection between the robot and the controller is complete.



CAUTION

1. When connecting a harness, make sure the connector is connected at the correct point. Forcing a connection may lead to connector damage or electrical system failure.
2. Do not place anything on top of the harness or place it in a position where it could be walked on or driven over (with a forklift etc.). Stepping on or running over the harness could damage it or cause electrical system failure.
3. Keep the harness separate from the robot wiring and from high voltage power lines.
 - (1) Do not wire the harness close to or in parallel with other power lines.
 - (2) Do not bundle the wires.
 - (3) Keep the wiring at least 1 m clear of high voltage or current power lines.
Failure to do so may lead to malfunctions caused by noise from the power cables.
4. Even if the harness is long, be sure to avoid winding, bending, or bundling the cables/wires. Bundling prevents generated heat from escaping, causing the harness to overheat. This could damage the cables and cause a fire.
5. Wire the communication cables and sensor cables separately from the robot motor harness.
 - (1) Do not wire them close to or in parallel with other cables.
 - (2) Do not bundle the wires.
6. Use twisted pair shielded cables for the communication and sensor cables, and connect the outer sheath of the shielded wire appropriately. If the connection is not done appropriately, PWM noise could affect the cable adversely, leading to communication errors.
7. Be sure to keep the secondary cable for the welding machine separate from the robot signal harness, and do not house them inside the same duct.
8. To ensure that PWM noise generated by the motor harness (power cable) does not adversely affect the control signal cable, strictly observe the cautions below.
 - (1) Keep the power cable and signal cables separate.
 - (2) Keep the power cable as short as possible.
 - (3) Do not parallel-wire or bundle the signal cables.
 - (4) When using wiring ducts, keep the power cables and control cables separate.
 - (5) Be sure to properly ground the controller.

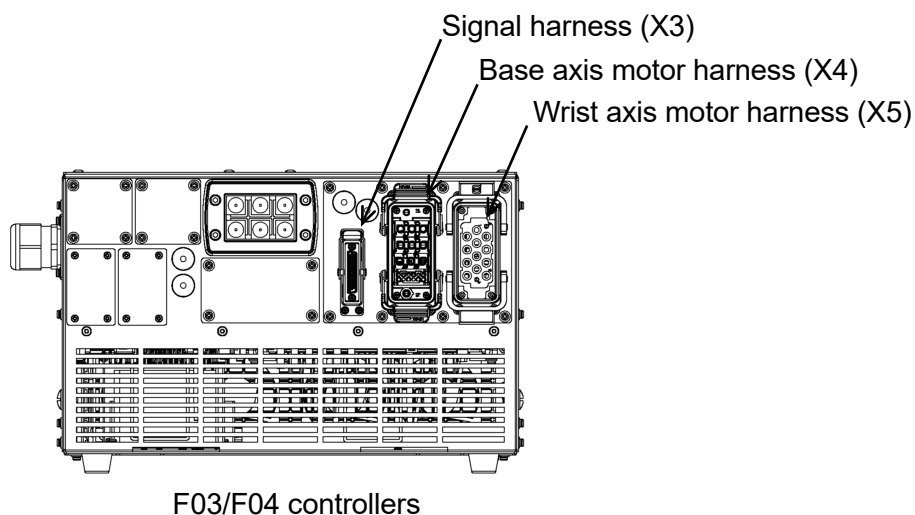
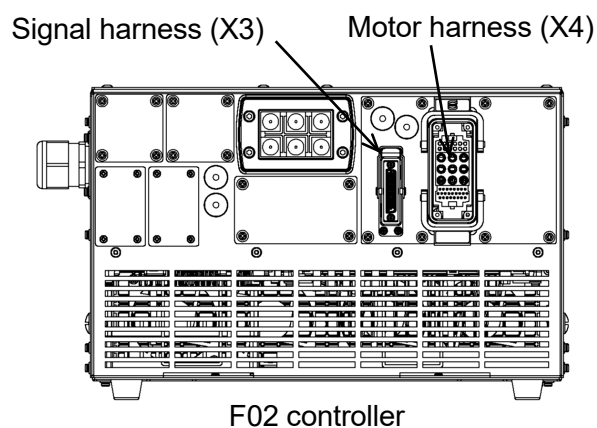
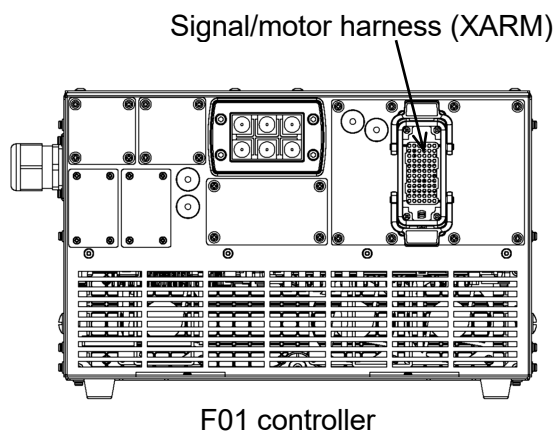
■ Connection locations

Connect the separate harnesses in the positions indicated in the figure below.

⚠ CAUTION

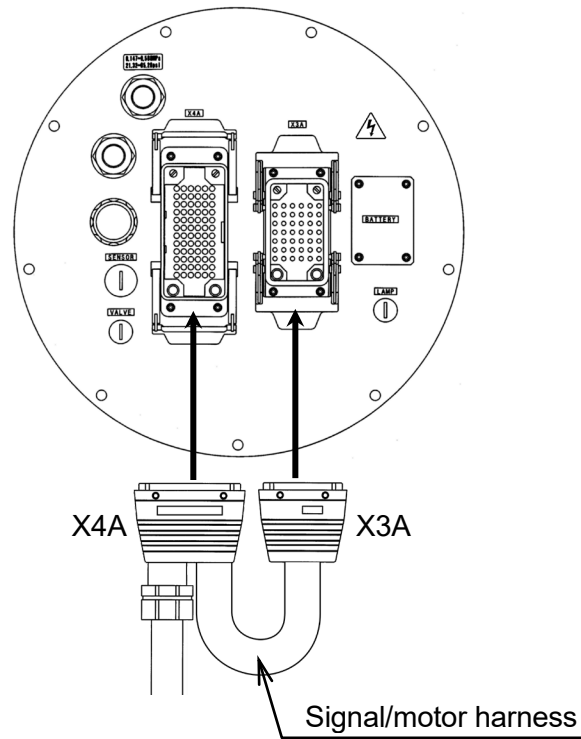
1. Be sure to secure each connector properly.
If connectors come unplugged, malfunctions might occur.
2. Connect a separate harness when stacking controllers so that the exhaust port on the rear surface of the lowest controller does not become blocked.

- Controller side

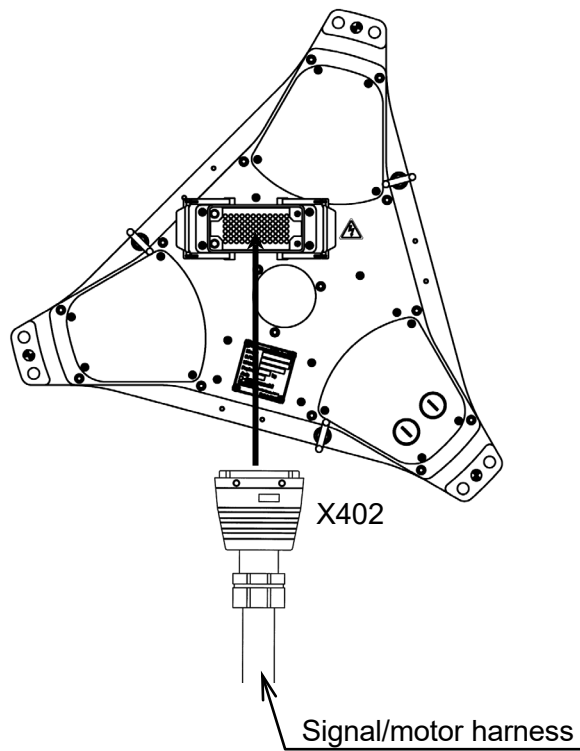


- Arm side

YF003N

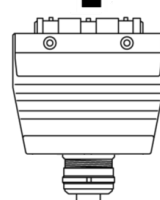
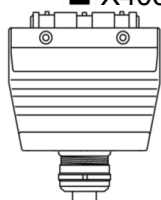
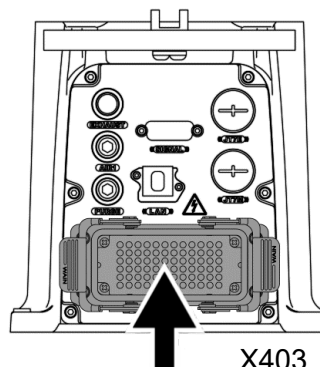
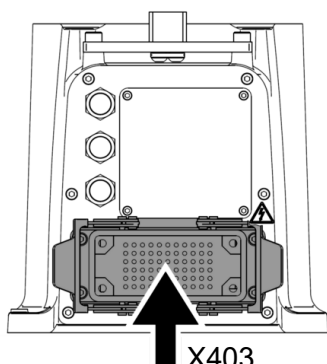


YF002N



R Series 007N/007L
RS007N-A/RS007L-A

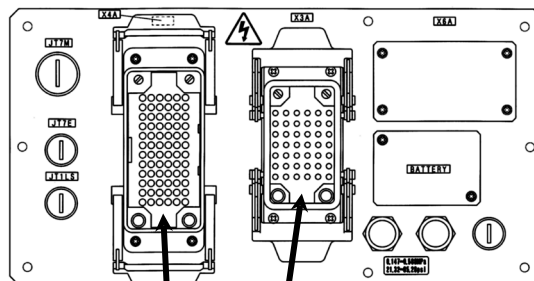
RS007N-B/RS007L-B



Signal/motor harness

Signal/motor harness

R Series 010N/006L

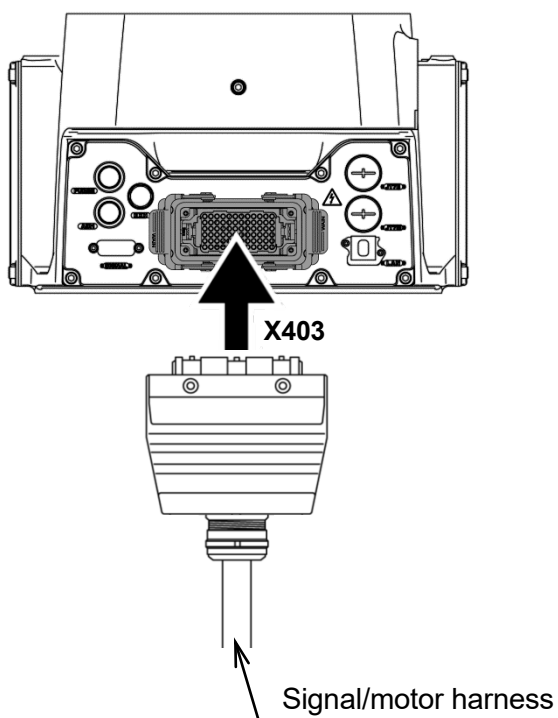


X4A

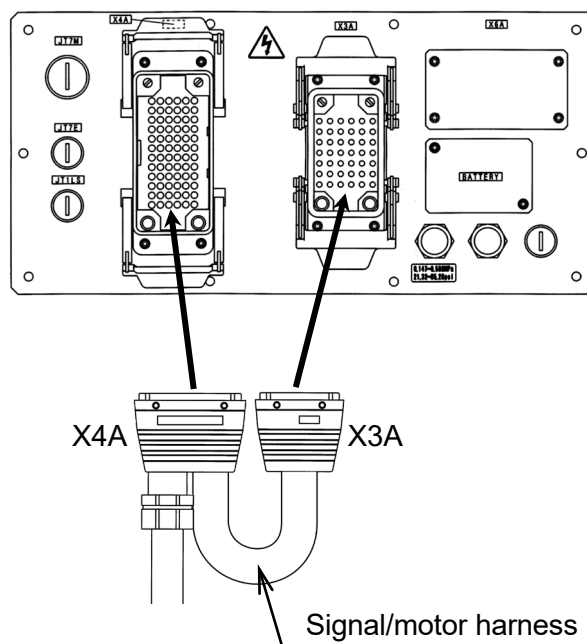
X3A

Signal/motor harness

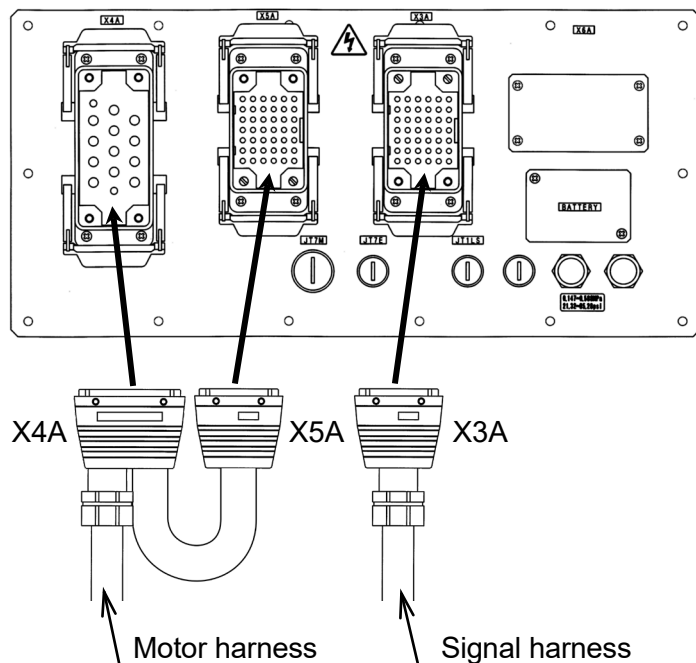
R Series 013N



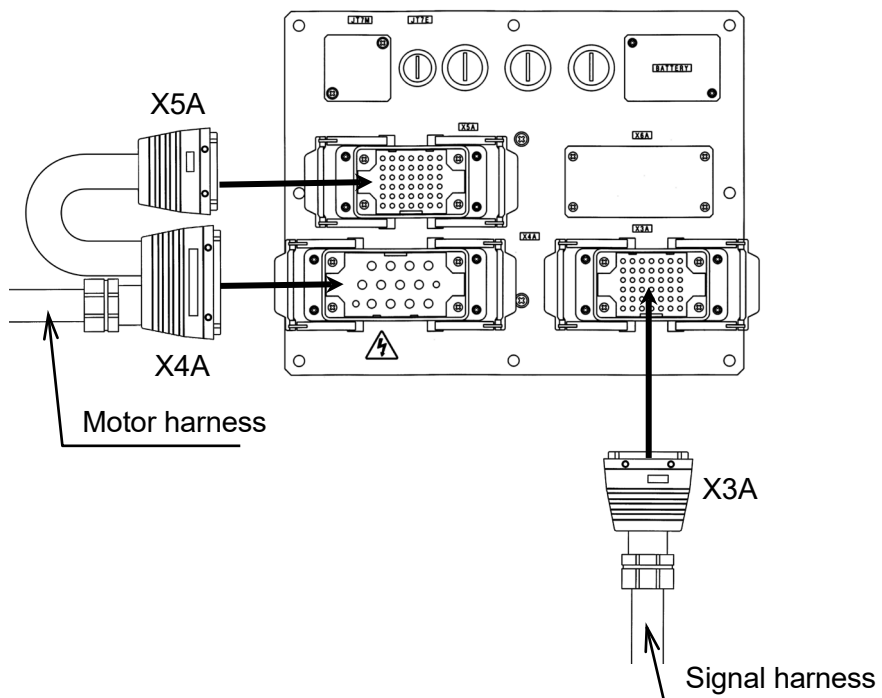
R Series 020N/010L



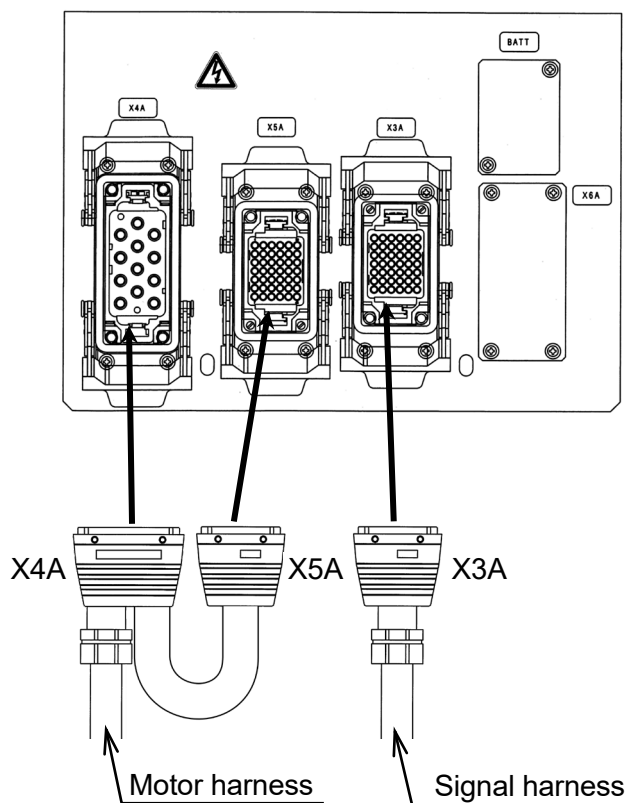
R Series 030N/050N/080N/015X



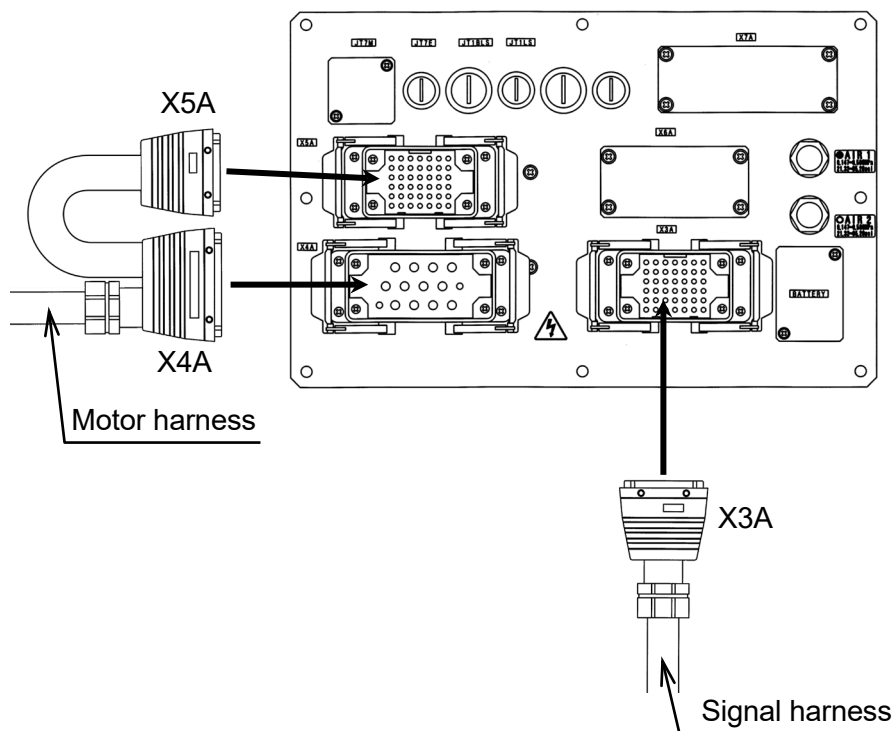
ZH Series



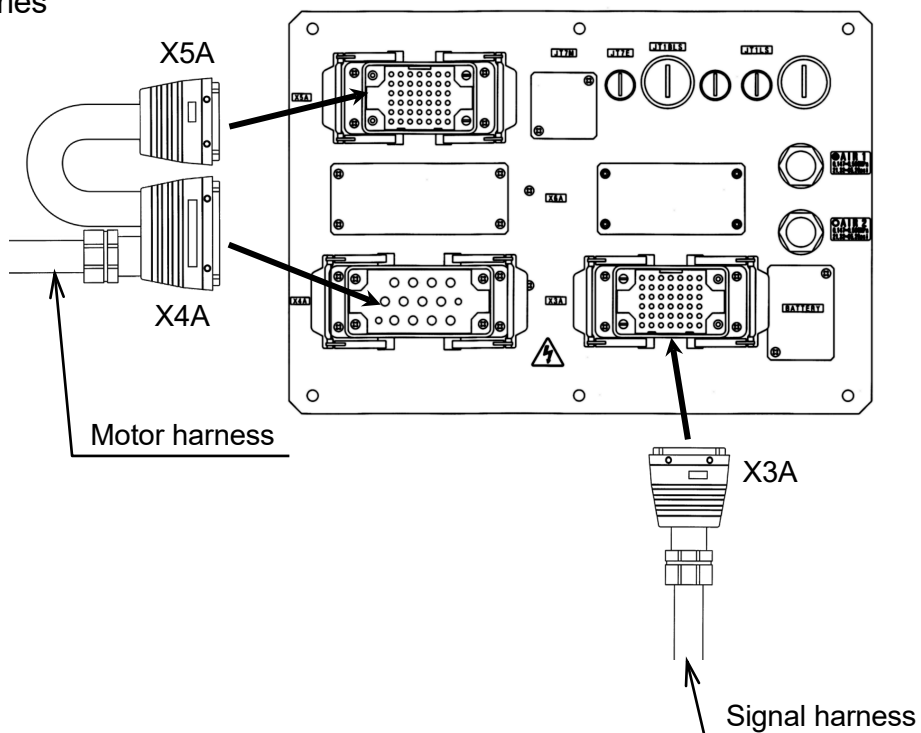
B Series



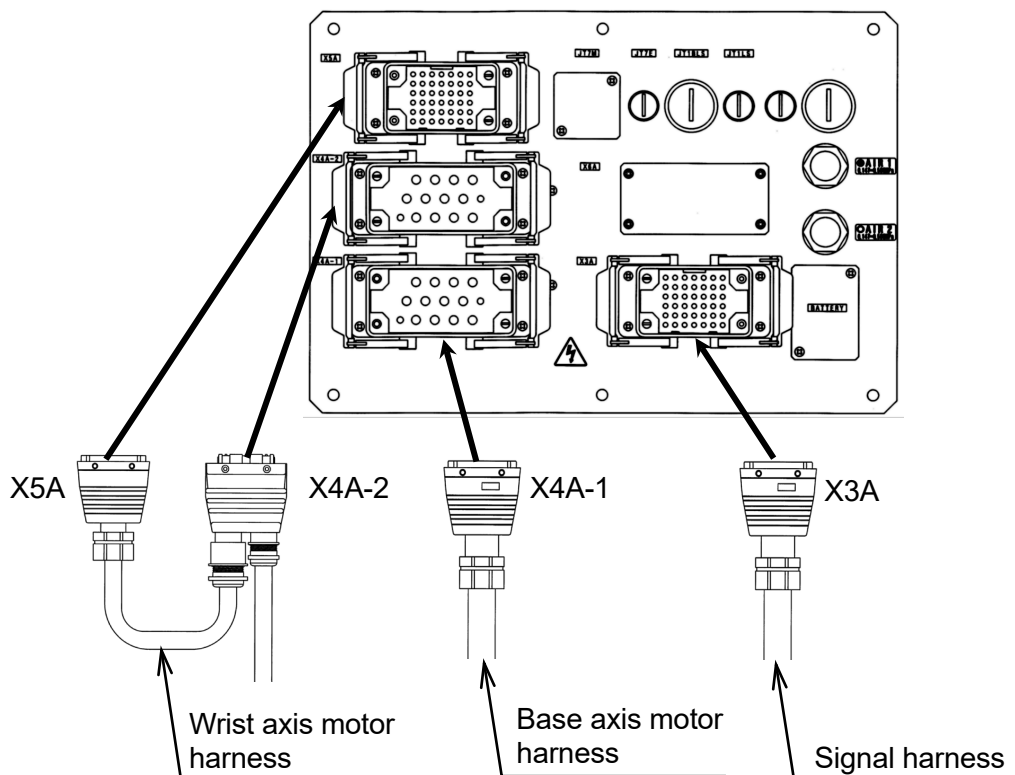
ZX/ZT Series



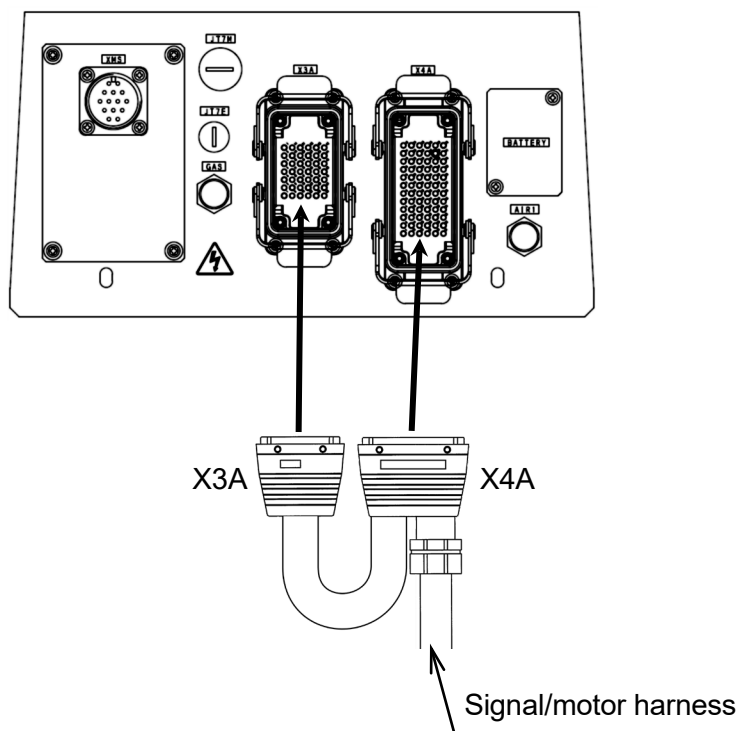
MT Series



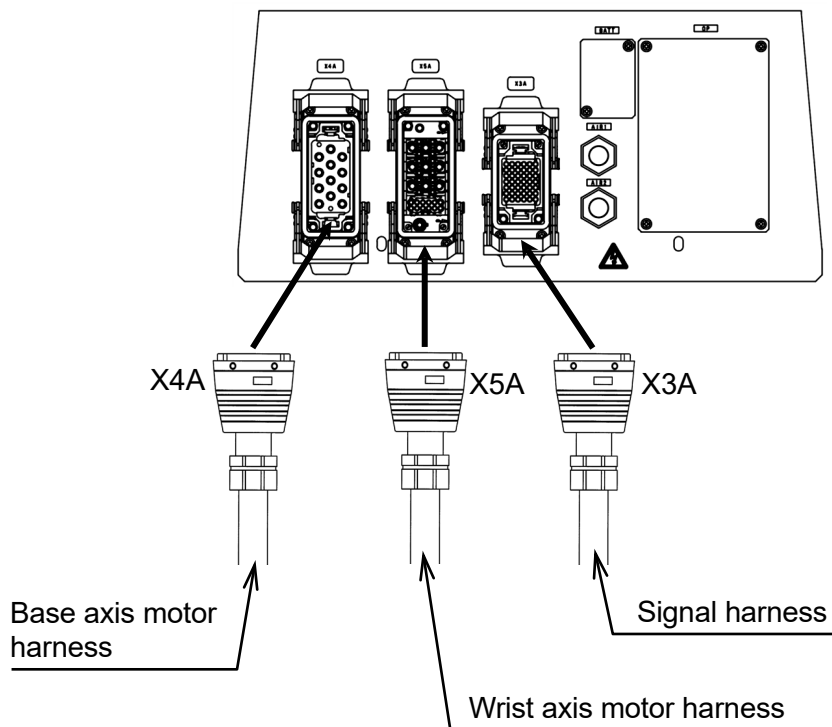
MX Series



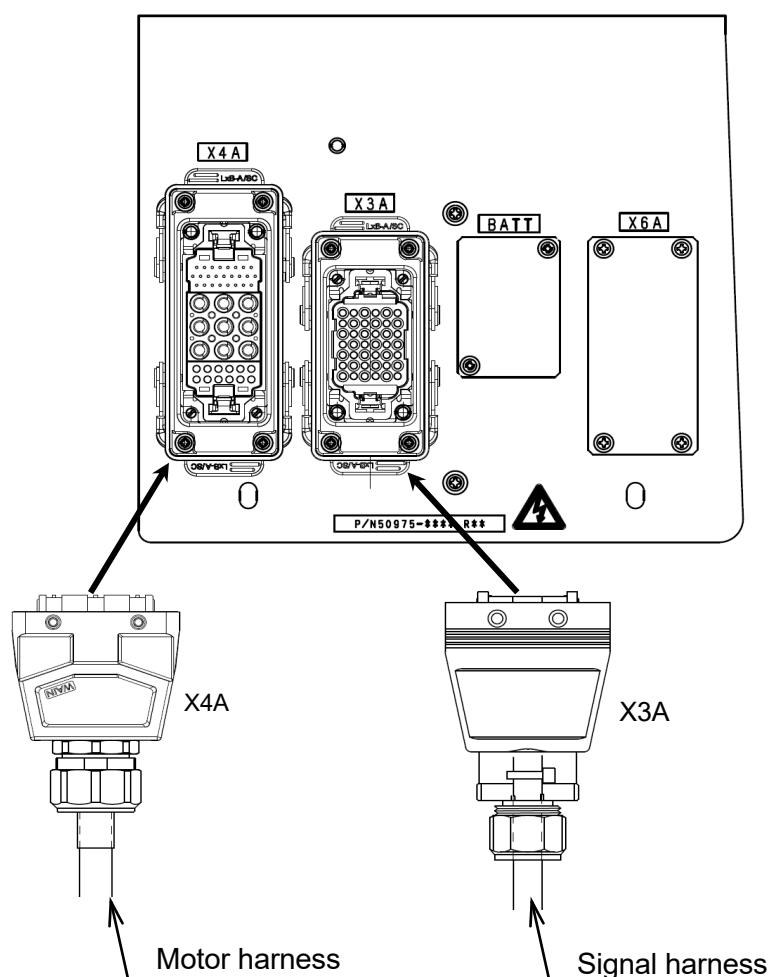
BA Series



CP Series



BXP Series



See the table below for the outer dimensions and minimum bend radius of each cable.

Controller	Connector number	Cable diameter	Minimum bend radius
F01	XARM	23.6 to 24.6 mm	145 mm
F02	X3	10.0 to 10.6 mm	64 mm
	X4	22.3 to 23.9 mm	150 mm
F03	X3	10.0 to 10.6 mm	64 mm
	X4	20.5 to 23.7 mm	138 mm
	X5 (CP Series)	23.2 to 24.4 mm	143 mm
	X5 (RD080)	17.6 to 20.0 mm	221 mm
F04	X3	10.0 to 10.6 mm	64 mm
	X4	20.5 to 23.7 mm	138 mm
	X5	23.2 to 24.4 mm	143 mm

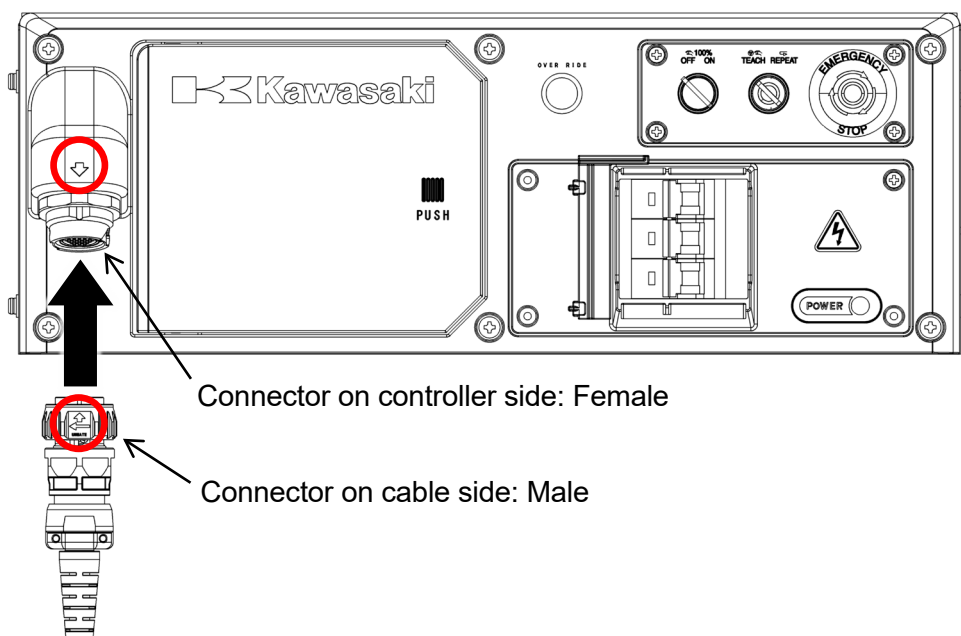
6.2 Connecting the Controller to the TP

Connect the TP cable to the controller and TP.

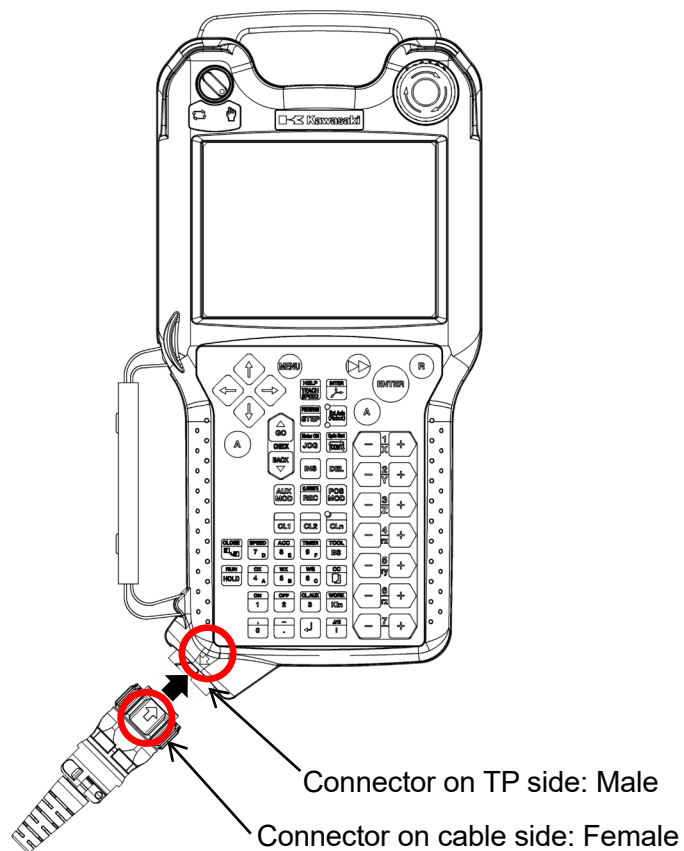
[NOTE]

The TP cable has different male and female connections for the controller side and TP side. Confirm the connector to be inserted and do not force it in.

1. Connect the TP cable to the controller connector. Do so by aligning the arrow on the controller with the arrow on the connector and inserting the connector.



2. Connect the TP cable to the TP connector. Do so by aligning the arrow on the TP with the arrow on the connector and inserting the connector.



7 Connecting an External Power Supply

When connecting an external power supply, strictly observe the following cautions.



DANGER

1. Before connecting an external power supply, make sure that the external power supply for the controller is turned off. Connecting while powered on could cause an electric shock.
2. Until the external power supply connection is completed, put a tag on the breaker indicating that work is in progress or assign another technician for supervision to ensure that the breaker will not be turned ON.



WARNING

1. Check that the specification of the power supply connected to the controller is the same as the stated specification on the rating plate. Connecting power supplies with different specifications may cause the internal electrical components to fail.
2. Always provide grounding as a countermeasure against electric shock and noise.
 - (1) Dedicated grounding:
Dedicated class D grounding with a resistance of 100 Ω or less
 - (2) Recommended power cable size:
Ground wire of 3.5 to 5.5 mm² or more
(For details, see "3.3 F0x Controller Specifications.")
3. Grounding should never share ground wires or negative electrodes (base material) with welding machines, etc.
4. Be sure to observe the following when arc welding.
 - (1) Connect the negative electrode (base material) on the power supply used for welding directly to the base material or to the jig.
 - (2) Never have the main robot unit and the controller share grounding, and ensure they are grounded in isolation of each other.
5. Before turning on the external power supply, ensure that the power supply for the controller is connected securely, and that all covers are mounted correctly. Failure to do so could lead to electric shock.



CAUTION

1. Be sure to use an external power supply which meets the specifications of the controller for instantaneous power interruptions, voltage fluctuations and capacity, etc.

Connecting a power supply with a different specification could cause the power supply to be turned OFF by the power supply monitoring circuit, leading to an error. Especially when using a transformer unit, the instantaneous high load of the robot is more likely to cause decreases in controller power supply voltage. If errors such as a power decrease error occur when the robot is under high load, recheck the primary power supply voltage supplied to the transformer unit and the connection tap inside the transformer unit.

2. If there is a risk of noise from the external power supply becoming mixed in, reduce the noise level by adding a noise filter or similar.
3. Check first that there are no devices with poor noise tolerance^{*1} in the vicinity.

Devices with poor noise tolerance can malfunction due to the effects of PWM noise generated by the robot motor.

4. The robot's external power supply switch (breaker) should not be used in combination with welding machines or other power equipment.
5. To prevent electric leakages, a time-delay electric leakage breaker (with a current sensitivity of 100 mA or higher) should be used as the external power supply switch.
6. If there is a risk of voltage surges from the external power supply such as those caused by lightning surges, reduce the surge voltage level by adding a surge absorber or equivalent.
7. The surge protection device (SPD) used for the equipment must be compliant with NFPA79.
8. In the case of controllers with a regenerative charging function (if using an F03 controller or optional regenerative charging function), the peak values for voltage between the AC wires of the secondary breaker inside the controller may increase when the power supply breaker that supplies AC power to the controller during robot operation is cut off. Be aware of this if you have devices that share power with the controller from the same breaker.

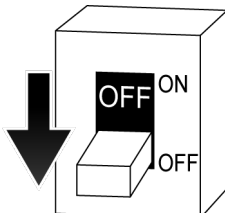
*1 Some devices are highly susceptible to voltage surges such as those from proximity switches directly connected to power supplies. Please bear this in mind.

When not using transformer units

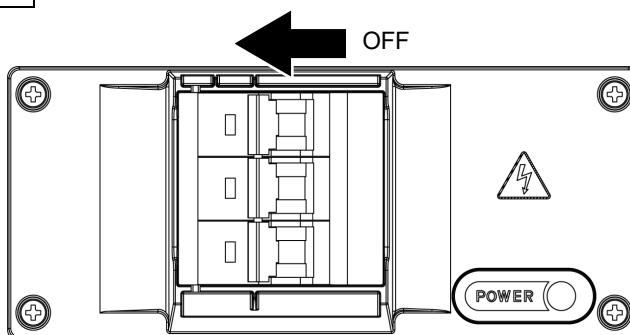
■ Work procedure

When connecting an external power supply, follow the procedure below.

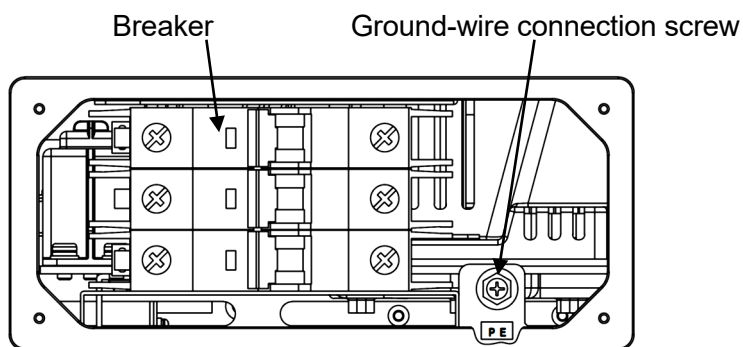
1. Turn OFF the external power supply to the controller.



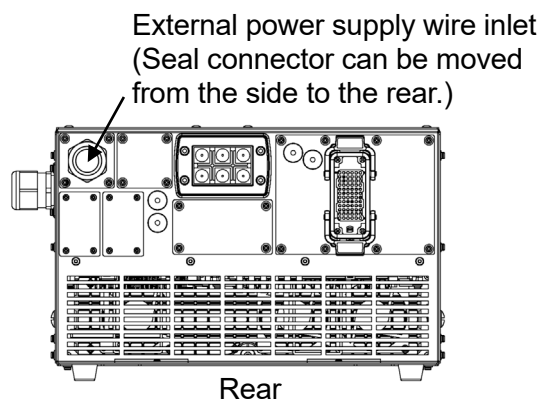
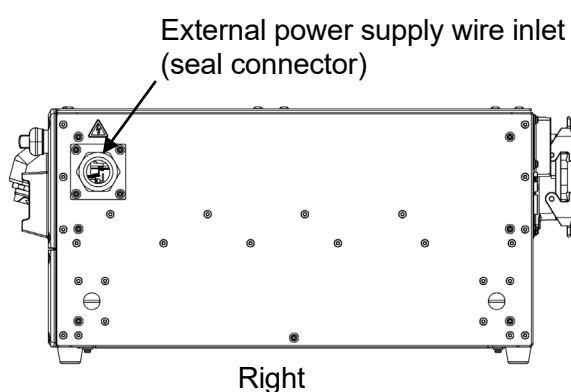
2. Turn the **Controller Power** switch to OFF.



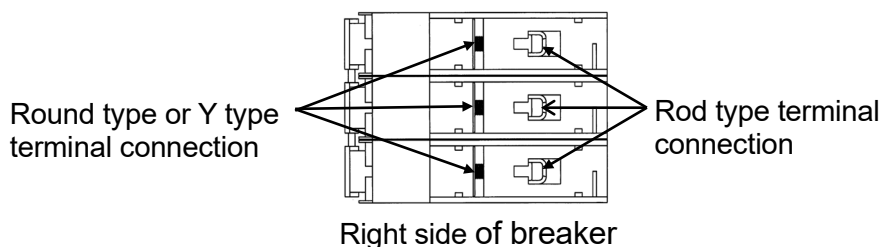
3. Open the front cover of the **Controller Power** switch.



4. Run the external power cable from the external power supply inlet, which can be found on either the right side or rear of the controller.



5. Connect the ground wire to the metal plate next to the breaker.
6. Connect the power cable to the location shown in the figure (right side of breaker).



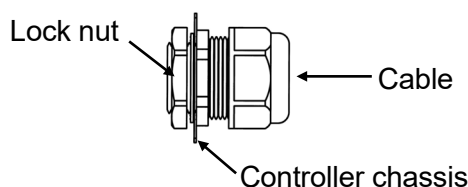
! CAUTION

1. **Check the power supply capacity used before selecting a cable. (See "3 Controller External Appearance and Specifications.")**
2. **Note that there is the possibility of voltage drops or the cable heating up if the wire diameter is thin.**
3. **Ensure that the ground is grounded. Failure to do so could lead to electric shock in the event of electrical leakage.**

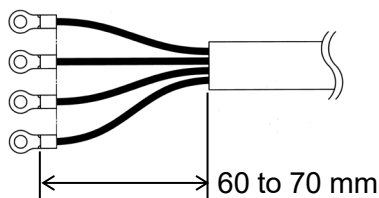
7. Reattach the front cover of the controller power switch detached in step 3.

■ Notes

- A seal connector for inserting external power supply wiring is provided on the right side of the controller. (Can also be moved to the rear.) Use power cables with a diameter of between $\varnothing 16$ and $\varnothing 22$.

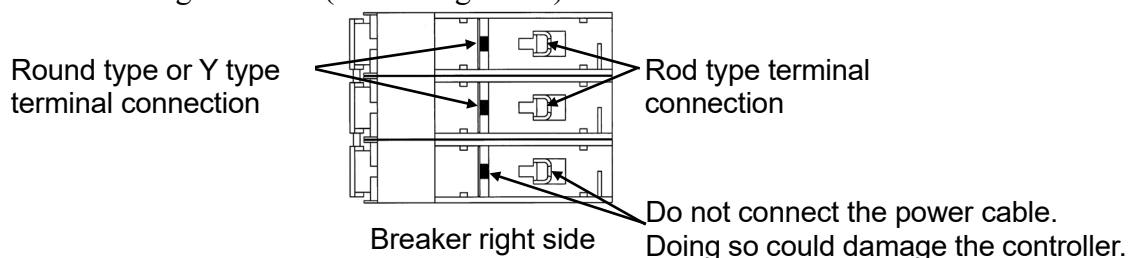


- Leave a cable sheath clearance of between 60 and 70 mm when inserting power cables from the right side of the controller.

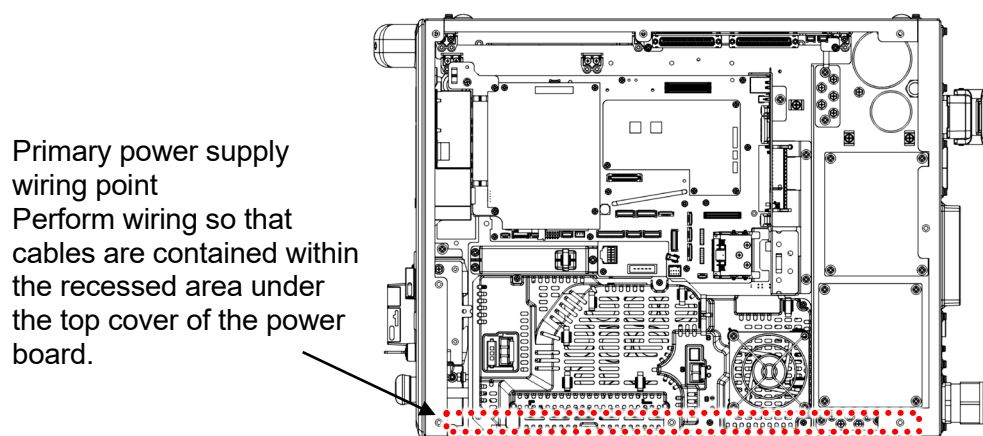


- Use a crimp terminal when connecting to breakers. Use terminals for M5 screws when using round or Y type terminals.
- Source separately a seal connector which matches the diameter of the cable if the cable diameter is larger than $\varnothing 22$. The wire inlet hole diameter on the external power supply plate is $\varnothing 34$.

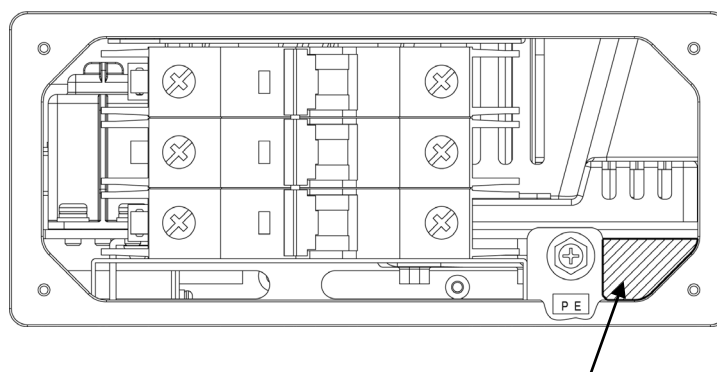
- The electronic components inside the controller may fail if the seal connector is not used or if the seal connector does not match the cable diameter and a gap is created. Make sure to insert cables so that no gaps are created.
- For single-phase input (only some models), connect the power cable to the two locations on top as shown in the figure below (breaker right side).



- Follow the route shown in the figure below when inserting external power cables from the rear.



- An acrylic rod shaped part is attached to the front cover of the controller power switch. The wired power cables may interfere with the acrylic part, making the attachment of cover not possible, so please refer to the figure below to wire the power cables.



Avoid covering the shaded area when wiring.

When using transformer units

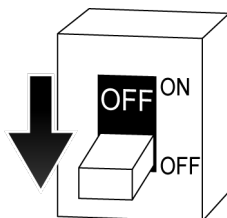
■ Notes

Two F01 controllers can be connected to a single transformer unit only when an F01 controller is used. When connecting two controllers, the parts that are to be connected will differ compared to when connecting only one controller. Perform connections after carefully reading the following procedure.

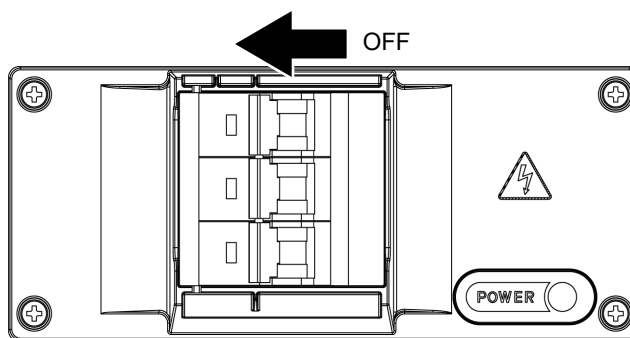
A. Connection between controller and transformer unit

Connect the dedicated power cable between the controller and the transformer unit using the following procedure. For items that are not specifically noted, use the same procedure to connect both controllers.

1. Turn OFF the external power supply to the controller.

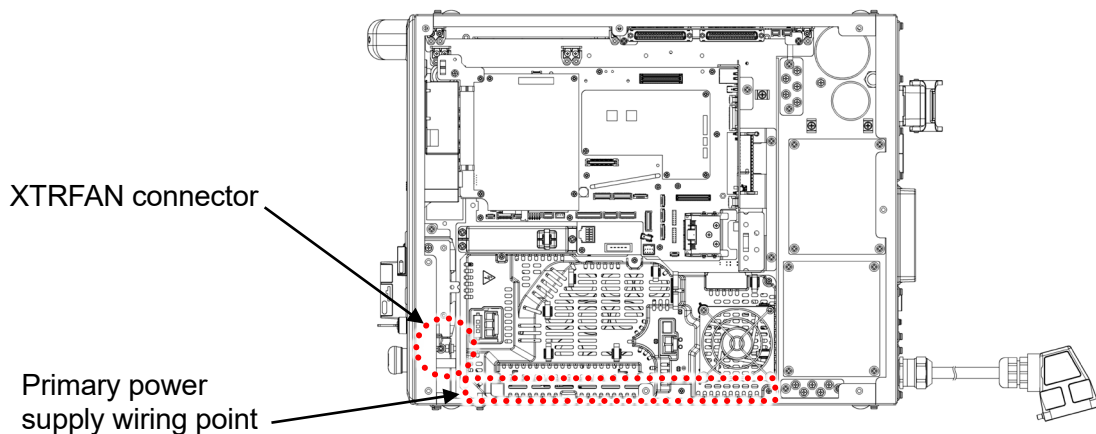


2. Turn the **Controller Power** switch to OFF.



3. Open the top plate and front cover of the controller, remove the rear inlet plate (without seal connector) and side inlet wire plate (with seal connector), and attach the removed rear wire plate to the side inlet. The side inlet plate with seal connector will not be used.

- Route the power cable (part number: 50979-3783) through the rear inlet and up to the breaker, as indicated by the wiring route shown in the following figure. When doing so, make sure that the rear seal connector is securely tightened.

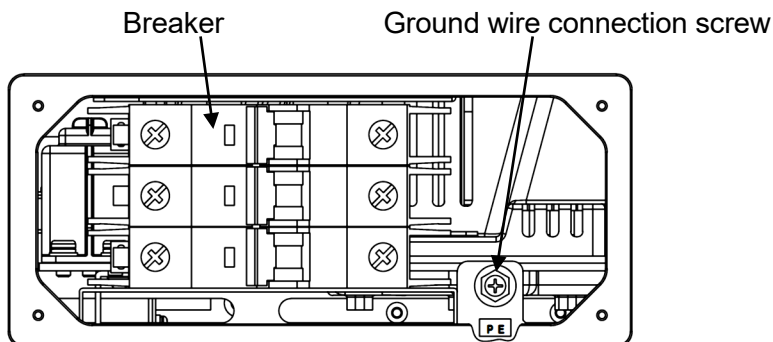


- Disconnect the existing jumper connector of the "XTRFAN" connector inside the controller and connect the connector attached to the power cable. (The removed jumper connector will not be used.)

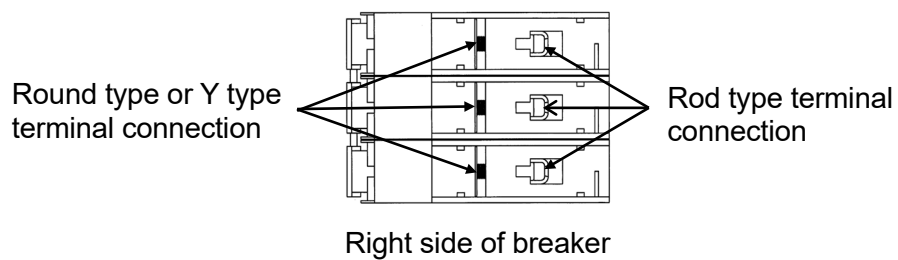
CAUTION

- The cable (XOUT1) from the first robot controller drives the fan inside the transformer unit. When connecting two controllers, be aware that the fan inside the transformer unit will not operate when the power for the first controller is OFF and power for the second controller is ON.
- When connecting two controllers, connect the connector attached to the power cable to the "XTRFAN" connector on the first robot controller. Connect the existing jumper connector to the "XTRFAN" connector located inside the second robot controller. (Do not connect the connector for the power cable.)

- Connect the ground wire to the metal plate next to the breaker.



7. Connect the power cable to the location shown in the figure (right side of breaker).

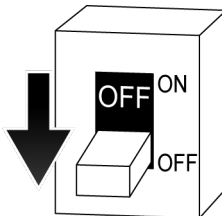


8. Close the top plate and front cover.

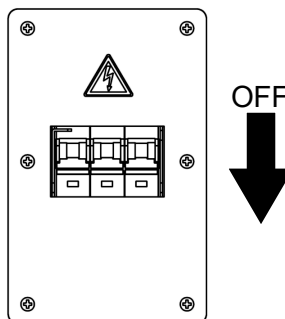
B. Connection between external power supply and transformer unit (when connecting one controller)

Connect the external power supply and transformer unit using the following procedure.

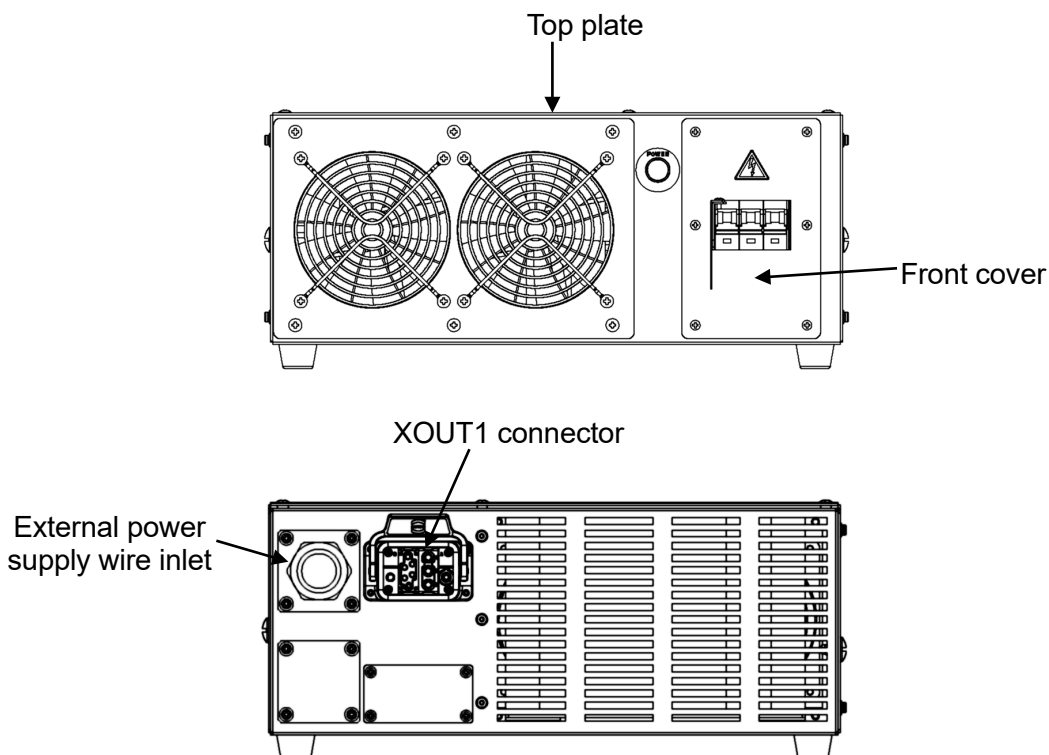
1. Turn OFF the external power supply to the controller.



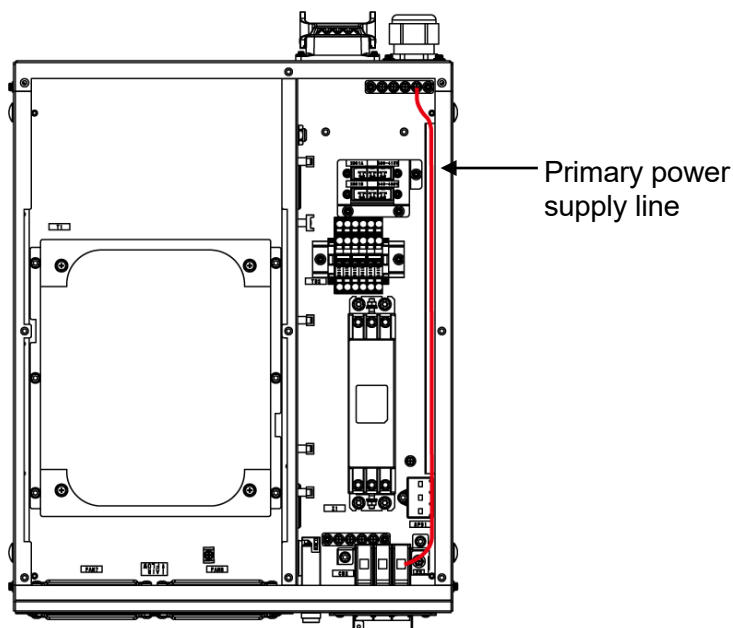
2. Turn the transformer unit **Controller Power** switch to OFF.



3. Remove the top plate and front cover of the transformer unit, as well as the metal plate for the rear external power supply inlet. Then connect the controller power cable to the XOUT1 connector.



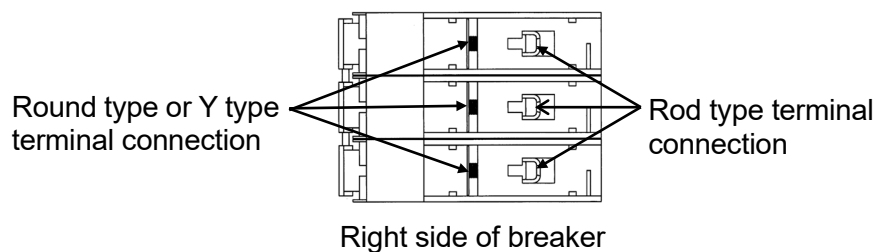
4. Route the power cable through the rear inlet before routing the cable to the breaker as indicated by the wiring route shown in the following figure. When doing so, make sure that the rear seal connector is securely tightened.



5. Connect the power cable ground to the PE terminal next to the breaker.

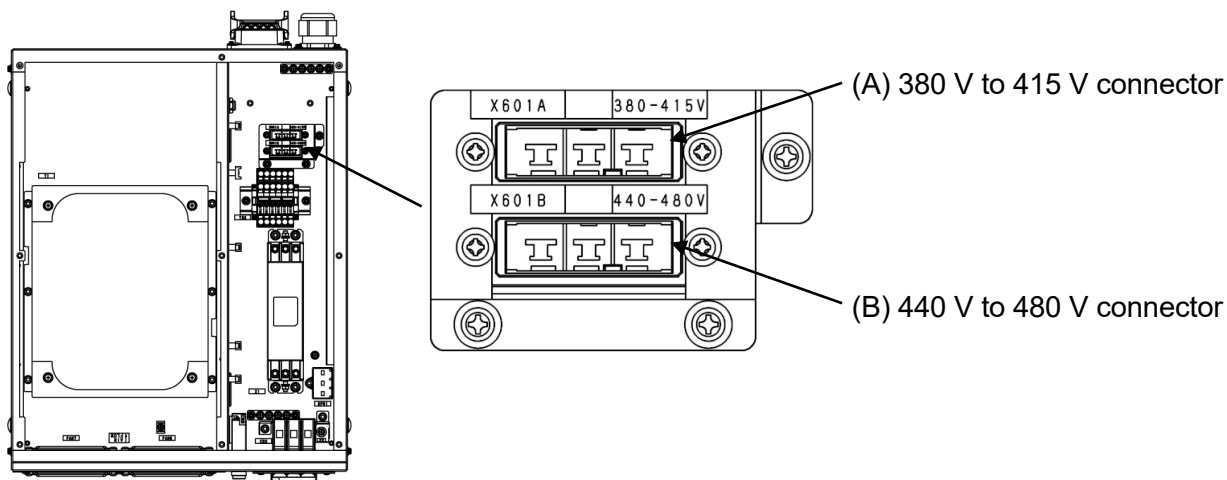
⚠ DANGER

The breaker will be wired from the top. Never touch the breaker terminal when it is energized and the top plate is open.



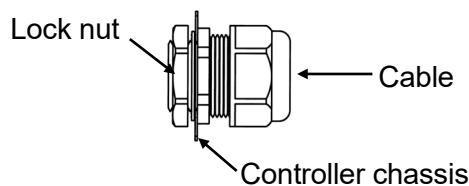
6. Connect the power cable to the location shown in the figure (right side of breaker).

7. Connect the X601 power tap connector to match the working voltage. (Be sure to check the input voltage range shown under "3.3 F0x Controller Specifications.")

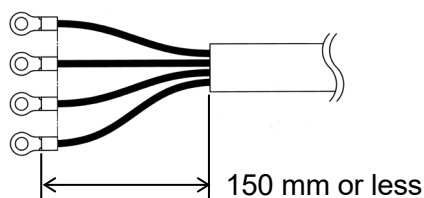


8. Close the top plate and front cover.

- A seal connector for inserting external power supply wiring is provided on the rear of the transformer unit. Use power cables with a diameter of between $\varnothing 16$ and $\varnothing 22$.



- Leave a cable sheath clearance of less than 150 mm when inserting the power cables.



Note Source separately a seal connector which matches the diameter of the cable if the cable diameter is larger than $\varnothing 22$. The hole diameter on the metal plate for the transformer unit cable entry point is $\varnothing 34$.

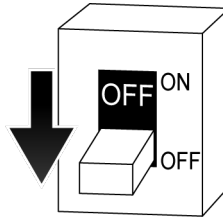


CAUTION

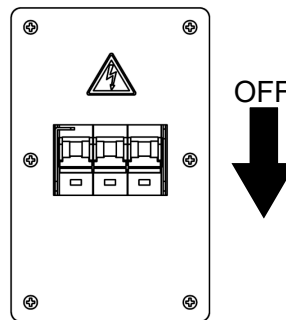
1. Check the power supply capacity used before selecting a cable. See "3 Controller External Appearance and Specifications."
2. Note that there is the possibility of voltage drops or the cable heating up if the wire diameter is thin.
3. After connecting the transformer unit and controller, confirm that the two transformer unit fans rotate normally when the controller power switches of the transformer unit and controller are ON.

C. Transformer unit wiring when connecting two controllers

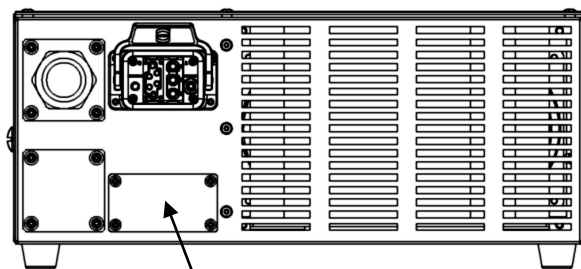
1. Turn OFF the external power supply to the controller.



2. Turn the transformer unit **Controller Power** switch to OFF.

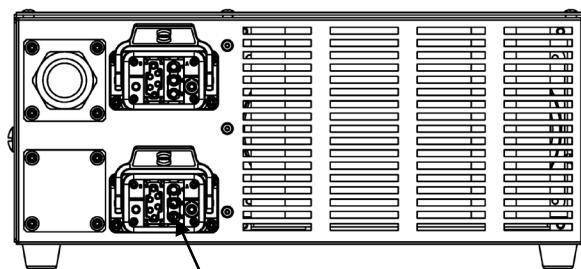


3. Route the power cable using the procedure described in steps 3 through 7 under "B. Connection between external power supply and transformer unit."
4. Remove the blank plate located on the rear of the transformer unit.



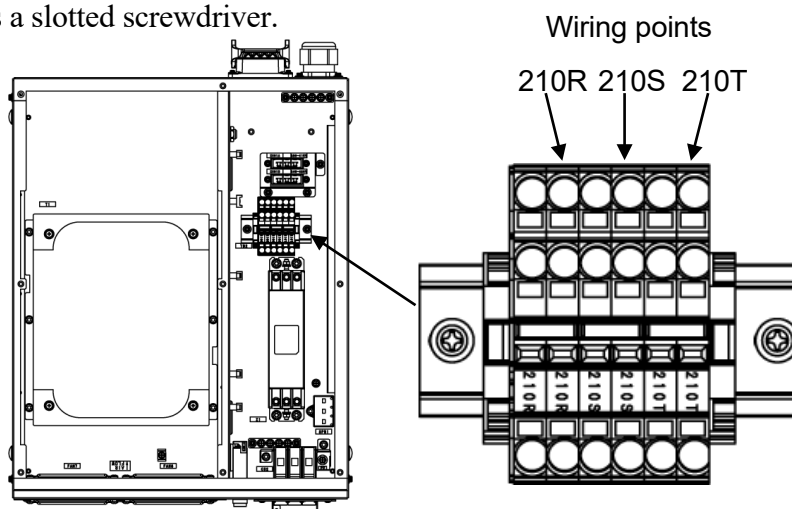
Blank plate

5. Attach the optional XOUT2 cable (part number: 50977-6317) to the location of the blank plate removed in step 4 before connecting the controller power cable to the XOUT1 and XOUT2 connectors.

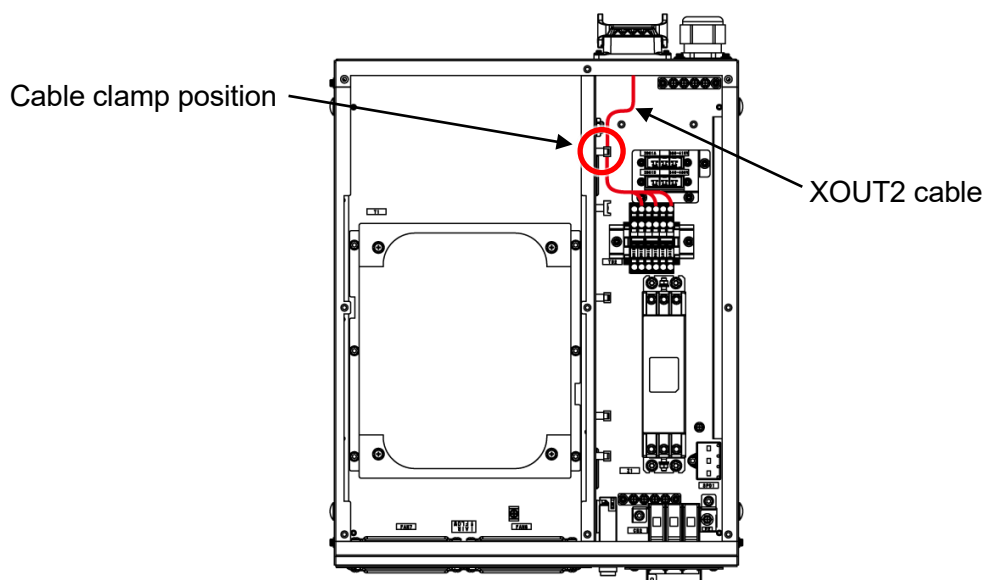


XOUT2 cable

- Connect the end of the XOUT2 cable to the terminal block inside the transformer unit using a tool such as a slotted screwdriver.



- Tie the XOUT2 cable at the location shown in the figure below.



- Close the top plate of the transformer unit.

! **CAUTION**

- The cable (XOUT1) from the first robot controller drives the fan inside the transformer unit. When connecting two controllers, be aware that the fan inside the transformer unit will not operate when the power for the first controller is OFF and power for the second controller is ON.
- When connecting two controllers, connect the connector attached to the power cable to the "XTRFAN" connector on the first robot controller. Connect the existing jumper connector to the "XTRFAN" connector located inside the second robot controller. (Do not connect the connector for the power cable.)

8 Peripheral Control Machinery and Equipment Connection

For details of connection methods, see the "External I/O Manual."

8.1 Cautions to Observe When Connecting

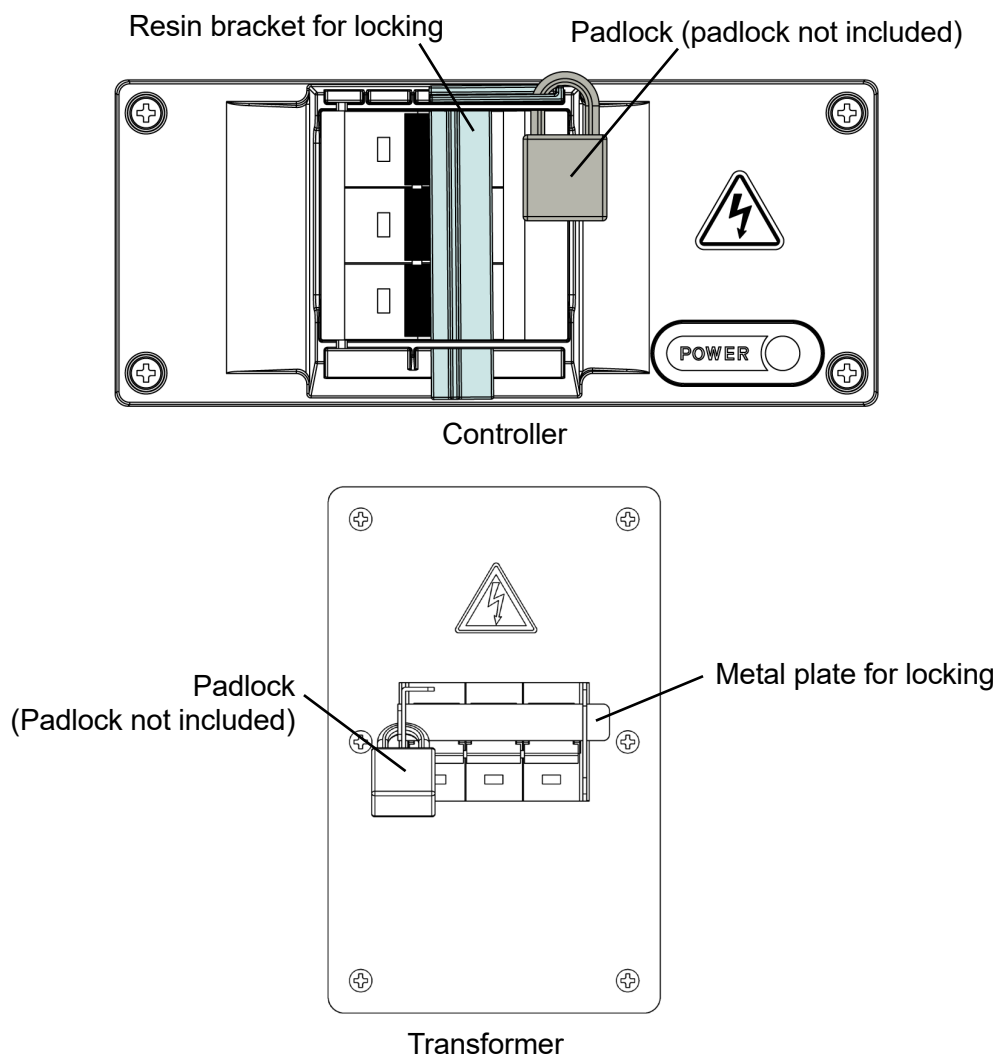
! DANGER

1. Prior to connecting the external I/O, check to make sure that the controller and external devices are all powered off. Connecting while powered on could cause an electric shock.
2. Until the external I/O connection is completed, put a tag on the breaker indicating that work is in progress or assign another technician for supervision to ensure that the breaker will not be turned ON.

■ Measures to ensure that controller power is not turned on while work is in progress

Applicable machine: F0x controller

Lock the controller by inserting the included resin bracket for locking into the designated position.



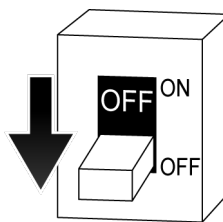
⚠ CAUTION

1. **Be sure to implement noise countermeasures on the machinery to which the external I/O is connected.**
Noise can cause malfunctions and damage to electrical systems.
2. **Be sure to connect the external I/O signals to the correct connector pin numbers. Forcing a connection may lead to connector damage or electrical system failure.**
3. **Be sure not to place external I/O cables on top of or under objects, or in places where they could be stepped on by people or run over by vehicles (forklifts, etc.).**
Stepping on or running over a cable could damage it or cause electrical system failure.
4. **Wire external I/O cables with a clearance of at least 20 cm, so that they do not run close to or in parallel with power lines (internally or externally).**
If noise gets into an I/O cable it can cause malfunctions.
5. **Use shielded cables for external I/O cables when connecting them to machine casings.**
6. **When connecting an external I/O cable to a terminal block or connector, use a tying band to secure it to the cable support at the top of the inner face of the controller, to prevent excessive force being applied.**

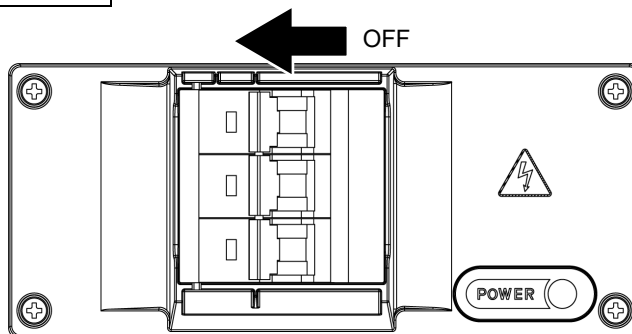
When connecting external I/O cables to the controller, use the cable entry located in the cable inlet to ensure the controller is protected from dust. Refer to the following for instructions on its use.

■ External I/O cable wiring procedure

1. Turn OFF the external power supply to the controller.

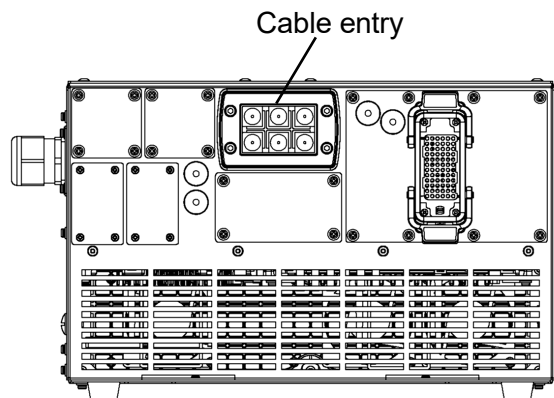


2. Turn the Controller Power switch to OFF.

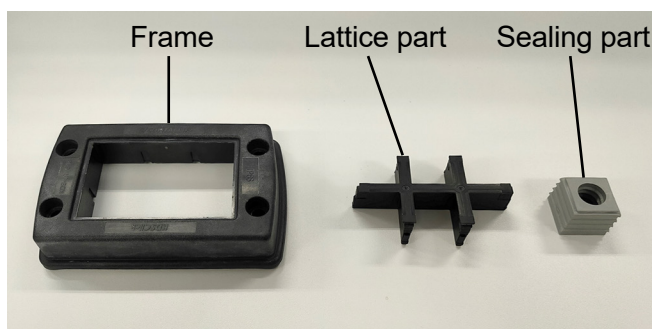


3. Remove the top plate from the controller.

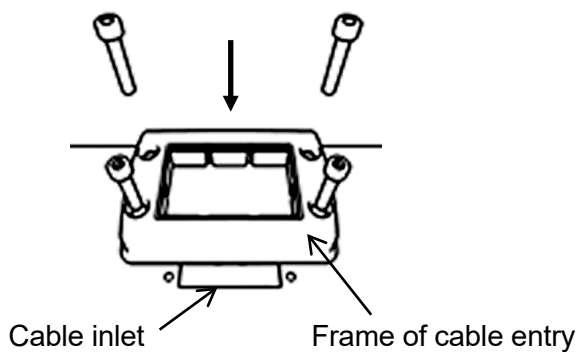
4. Remove the cable entry located on the rear of the controller.



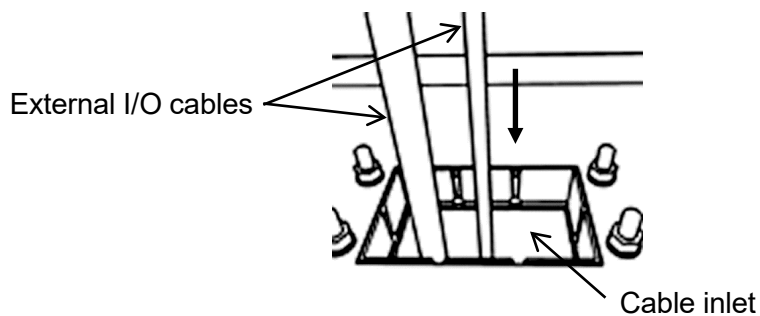
5. Separate the frame, lattice part, and sealing part of the removed cable entry.



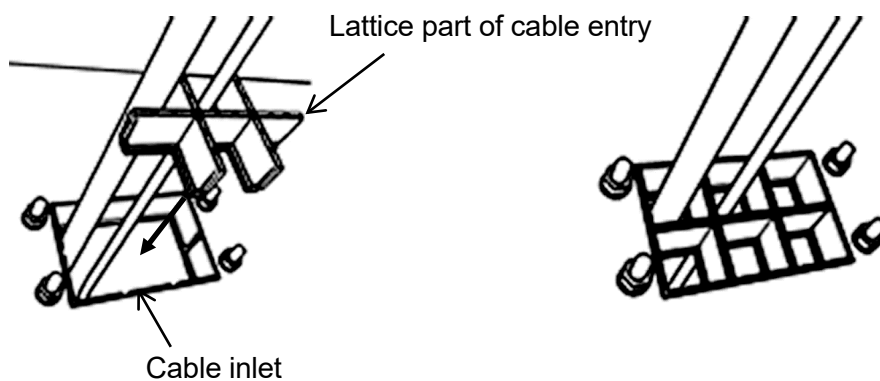
6. Attach the cable entry frame to the controller.



7. Pull the external I/O cables into the controller from the cable inlet.



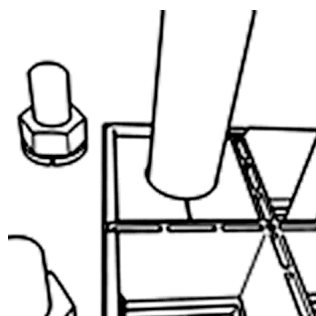
8. Attach the lattice part of the cable entry to the cable inlet. When doing so, press down until a click is heard.



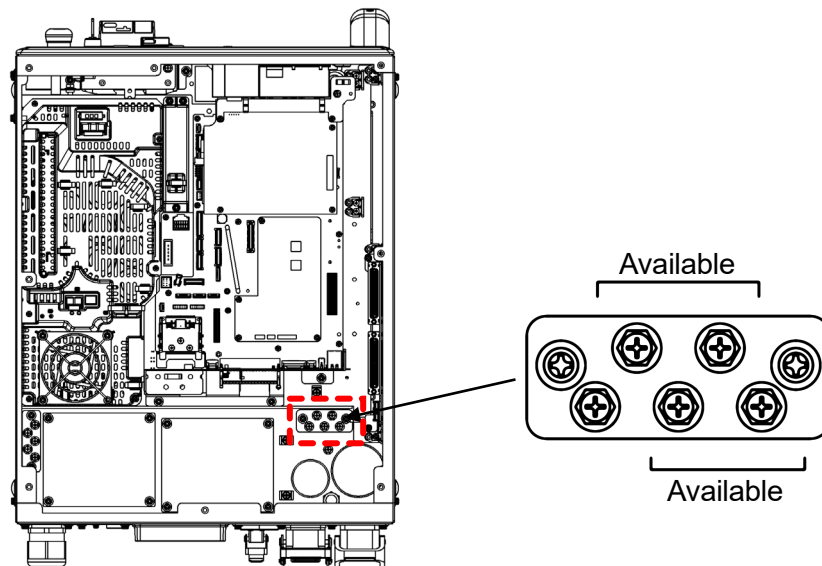
9. Attach the sealing part of the cable entry to the cable.



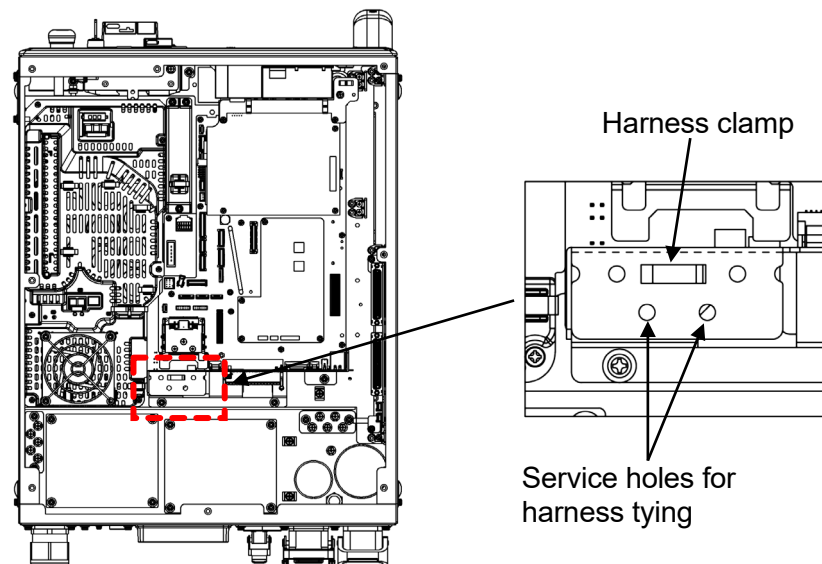
10. Push the sealing part of the cable entry into the lattice part until it is fully seated.



11. Connect the external I/O cable shield to the shield plate on the controller.



12. Tie the external I/O cables to the cable clamping position on the controller.



13. Attach the top plate to the controller.

■ Notes

- Use external I/O cables with a diameter of $\varnothing 11$ to 12 mm. If using cables of a smaller size, insert them into the cable entry using the set of sealing parts of the cable entry provided optionally, or with them held between grommets, etc.
- If placing the controller in a rack or other similar location, it may not be possible to remove the top plate unless the controller is pulled out from the rack. Because external I/O cables cannot be removed unless the top plate is removed, adjust the length of the external I/O cables so that the controller can be pulled out if it is to be placed in a rack or other similar location.

8.2 General Purpose Signal Connection

For details of connection, see the "External I/O Manual."

8.3 Hardware-Dedicated Signal Connection

If the external emergency stop signal and the external hold signal are connected to the XES terminal block provided on the servo board (2FB board) inside the controller, a safety circuit can be configured using a hardware circuit.

For details of connection, see the "External I/O Manual."

8.4 PC Connection

If a personal computer (PC) is connected, it can be used as a robot controller terminal.

For details, refer to "AS Language Reference Manual."

- Connect a PC onto which KRterm/KCwin32 terminal software has been loaded, to the RS-232C port in the accessory panel, using an RS-232C cable.
- Connect a PC onto which KRterm/KCwin TCP/IP terminal software has been loaded, to the Ethernet port in the accessory panel, using an Ethernet cable.

8.5 RS-232C Serial Signal Connection (Optional)

If you connect a host computer or equivalent to the RS-232C port in the accessory panel, using an RS-232C cable, you will be able to use data communication. For details, refer to "Communication Option Manual."

8.6 Ethernet Communication Signal Connection

Using the Ethernet port in the accessory panel, you can build a 10BASE-T, 100BASE-TX or 1000BASE-T Ethernet LAN. For details, refer to "Communication Option Manual."

8.7 Fieldbus Connection (Optional)

Adding the fieldbus communication module (optional) to the XAB connector on top of the servo board (2FB board) inside the controller makes it possible to communicate with peripheral devices using a fieldbus network such as DeviceNet.

For details, see the "General Fieldbus I/O Usage Manual."

Kawasaki Robot Controller F0x Series Controller
Installation and Connection Manual

2021-02 : 1st Edition

2021-06 : 2nd Edition

Publication : Kawasaki Heavy Industries, Ltd.

90202-1252DEB

Copyright © 2021 Kawasaki Heavy Industries, Ltd. All rights reserved.