



# Standard Specifications

## BA006L-A

1st ed. 26-Aug-16  
5th ed. 18-Jan-21

Kawasaki Heavy Industries, Ltd.  
Robot Business Division

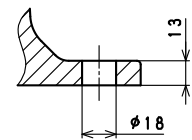
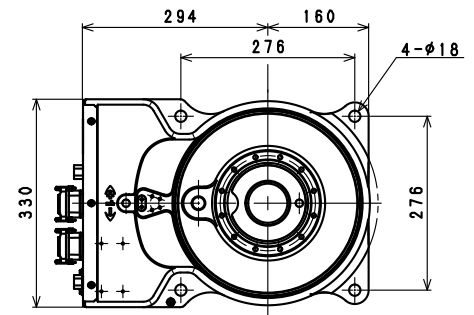
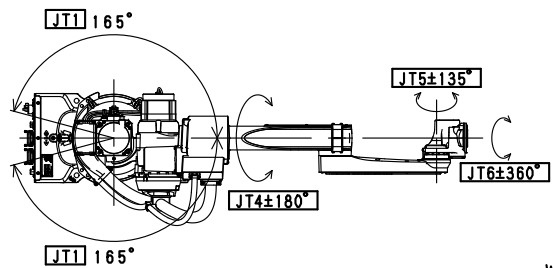
Specification number : 90151-0154DEE

Materials and specifications are subject to change without notice.

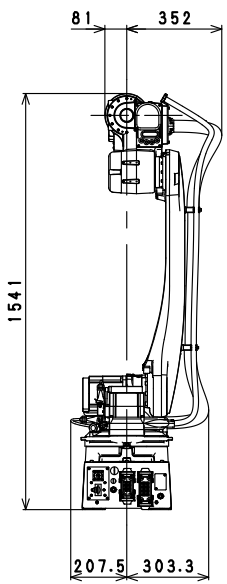
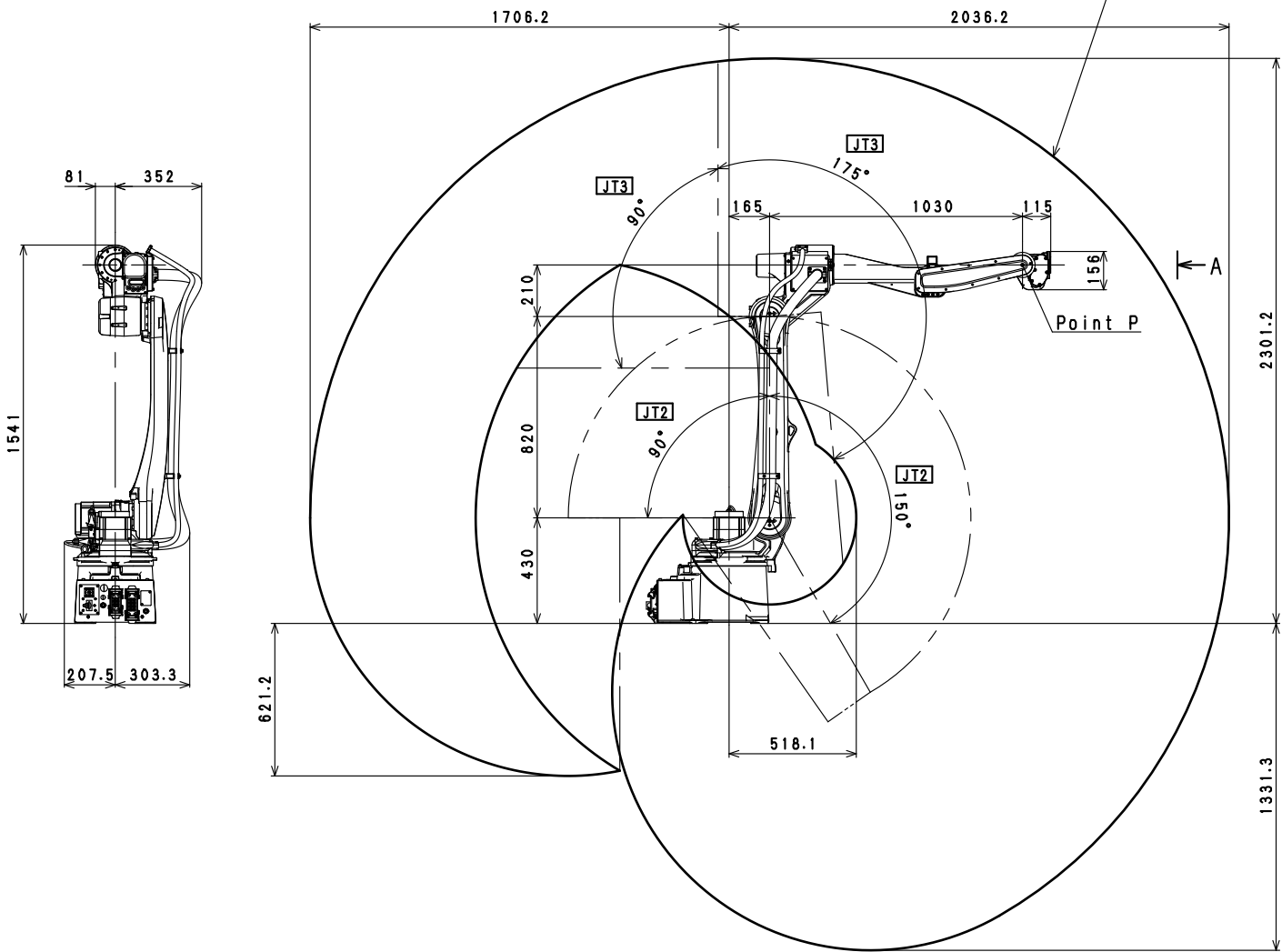
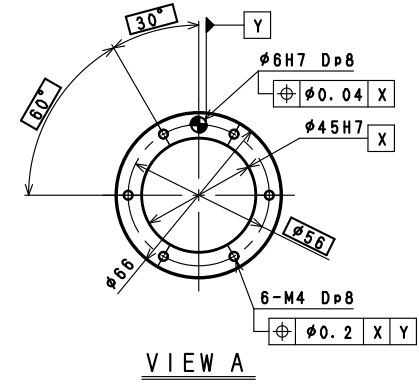
## Robot specifications

1. Model	BA006L-A																						
2. Type	Articulated robot																						
3. Degree of freedom	6 axes																						
4. Max. payload	6 kg																						
5. Max. reach	2,036 mm																						
6. Position repeatability	±0.08 mm (wrist flange surface) conforms to ISO 9283																						
7. Axis specification	<table border="1"> <thead> <tr> <th>Operating axis</th> <th>Motion range</th> <th>Max. speed</th> </tr> </thead> <tbody> <tr> <td>Arm rotation (JT1)</td> <td>±165°</td> <td>210°/s</td> </tr> <tr> <td>Arm out-in (JT2)</td> <td>+150° - -90°</td> <td>210°/s</td> </tr> <tr> <td>Arm up-down (JT3)</td> <td>+90° - -175°</td> <td>220°/s</td> </tr> <tr> <td>Wrist swivel (JT4)</td> <td>±180°</td> <td>430°/s</td> </tr> <tr> <td>Wrist bend (JT5)</td> <td>±135°</td> <td>430°/s</td> </tr> <tr> <td>Wrist twist (JT6)</td> <td>±360°</td> <td>650°/s</td> </tr> </tbody> </table>		Operating axis	Motion range	Max. speed	Arm rotation (JT1)	±165°	210°/s	Arm out-in (JT2)	+150° - -90°	210°/s	Arm up-down (JT3)	+90° - -175°	220°/s	Wrist swivel (JT4)	±180°	430°/s	Wrist bend (JT5)	±135°	430°/s	Wrist twist (JT6)	±360°	650°/s
Operating axis	Motion range	Max. speed																					
Arm rotation (JT1)	±165°	210°/s																					
Arm out-in (JT2)	+150° - -90°	210°/s																					
Arm up-down (JT3)	+90° - -175°	220°/s																					
Wrist swivel (JT4)	±180°	430°/s																					
Wrist bend (JT5)	±135°	430°/s																					
Wrist twist (JT6)	±360°	650°/s																					
8. Load capacity of wrist	<table border="1"> <thead> <tr> <th></th> <th>Max. torque</th> <th>Moment of inertia*</th> </tr> </thead> <tbody> <tr> <td>JT4</td> <td>12 N·m</td> <td>0.4 kg·m<sup>2</sup></td> </tr> <tr> <td>JT5</td> <td>12 N·m</td> <td>0.4 kg·m<sup>2</sup></td> </tr> <tr> <td>JT6</td> <td>3.75 N·m</td> <td>0.07 kg·m<sup>2</sup></td> </tr> </tbody> </table> <p>Note* Each value in this table shows allowable moment of inertia of JT4/JT5/JT6 when max. allowed torque is applied to each axis. If more detailed data is required for your application, please contact Kawasaki.</p>			Max. torque	Moment of inertia*	JT4	12 N·m	0.4 kg·m <sup>2</sup>	JT5	12 N·m	0.4 kg·m <sup>2</sup>	JT6	3.75 N·m	0.07 kg·m <sup>2</sup>									
	Max. torque	Moment of inertia*																					
JT4	12 N·m	0.4 kg·m <sup>2</sup>																					
JT5	12 N·m	0.4 kg·m <sup>2</sup>																					
JT6	3.75 N·m	0.07 kg·m <sup>2</sup>																					
9. Mass	160 kg (without options)																						
10. Mounting	Floor or Ceiling mounting																						
11. Installation Environment	Ambient Temperature: 0 - 45 °C Relative Humidity: 35 - 85 % (with no dew condensation)																						
12. Color	Munsell 10GY9/1 equivalent																						
13. Built-in utilities	Pneumatic piping (φ8 × 1 line) , Gas piping (φ8 × 1 line) Internal welding cable (60sq, from BASE(JT1) to JT3)																						
14. Options	<table border="1"> <tbody> <tr> <td>Shock sensor</td> <td>Shock sensor made by BINZEL, TOKIN, Others</td> </tr> <tr> <td>Welding torch</td> <td>350A/ 500A , air cooling/water cooling * include welding cable from torch to wire feeder Welding cable for wire feeder made by DAIHEN, Others</td> </tr> <tr> <td>Solenoid valve</td> <td>Double solenoid / Single solenoid valves (2 units max.)</td> </tr> <tr> <td>Mechanical stopper</td> <td>Adjustable mechanical stopper JT1</td> </tr> <tr> <td>Installation stand</td> <td>300 mm / 600 mm height</td> </tr> <tr> <td>Installation base plate</td> <td>750 mm × 750 mm</td> </tr> <tr> <td>Color</td> <td></td> </tr> <tr> <td></td> <td></td> </tr> <tr> <td></td> <td></td> </tr> </tbody> </table>		Shock sensor	Shock sensor made by BINZEL, TOKIN, Others	Welding torch	350A/ 500A , air cooling/water cooling * include welding cable from torch to wire feeder Welding cable for wire feeder made by DAIHEN, Others	Solenoid valve	Double solenoid / Single solenoid valves (2 units max.)	Mechanical stopper	Adjustable mechanical stopper JT1	Installation stand	300 mm / 600 mm height	Installation base plate	750 mm × 750 mm	Color								
Shock sensor	Shock sensor made by BINZEL, TOKIN, Others																						
Welding torch	350A/ 500A , air cooling/water cooling * include welding cable from torch to wire feeder Welding cable for wire feeder made by DAIHEN, Others																						
Solenoid valve	Double solenoid / Single solenoid valves (2 units max.)																						
Mechanical stopper	Adjustable mechanical stopper JT1																						
Installation stand	300 mm / 600 mm height																						
Installation base plate	750 mm × 750 mm																						
Color																							

- Consult Kawasaki about maintenance parts and spare parts.
- This robot is for arc welding only. If you are willing to use this robot for other application, please consult us.



Installation Dimensions



BA006L-A  
WORKING RANGE