



Standard Specifications

BX100N-B00x

1st ed. 17-Feb-15
3rd ed. 17-Nov-20

Kawasaki Heavy Industries, Ltd.
Robot Business Division

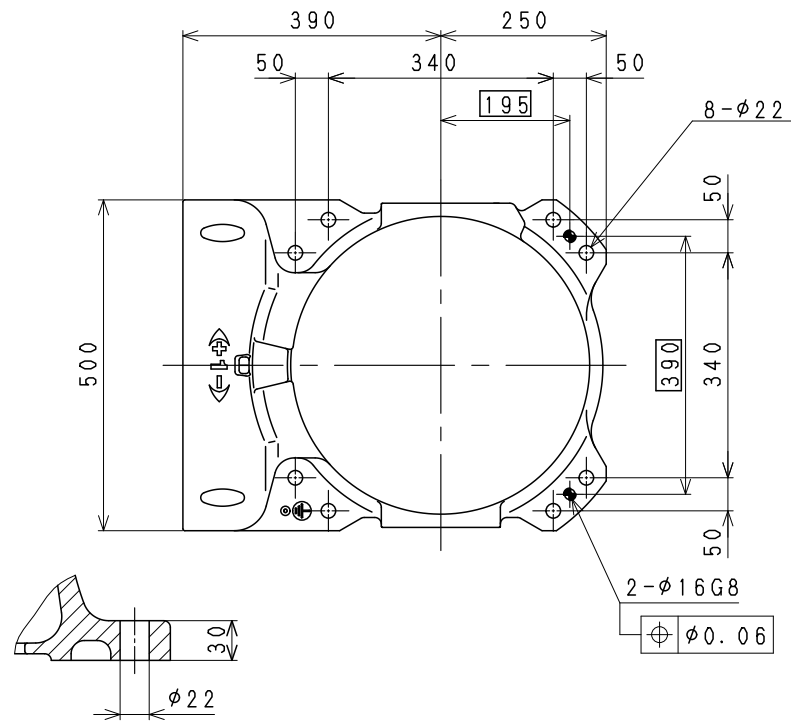
Specification number : 90151-0006DEC

Materials and specifications are subject to change without notice.

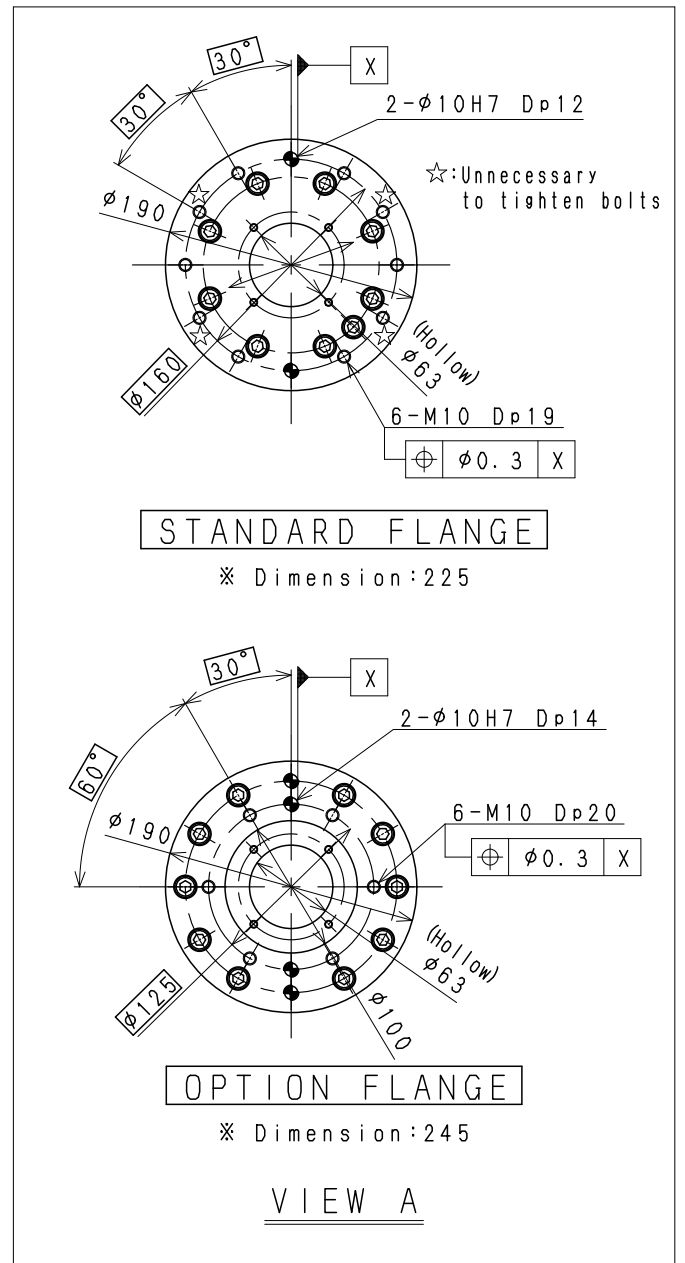
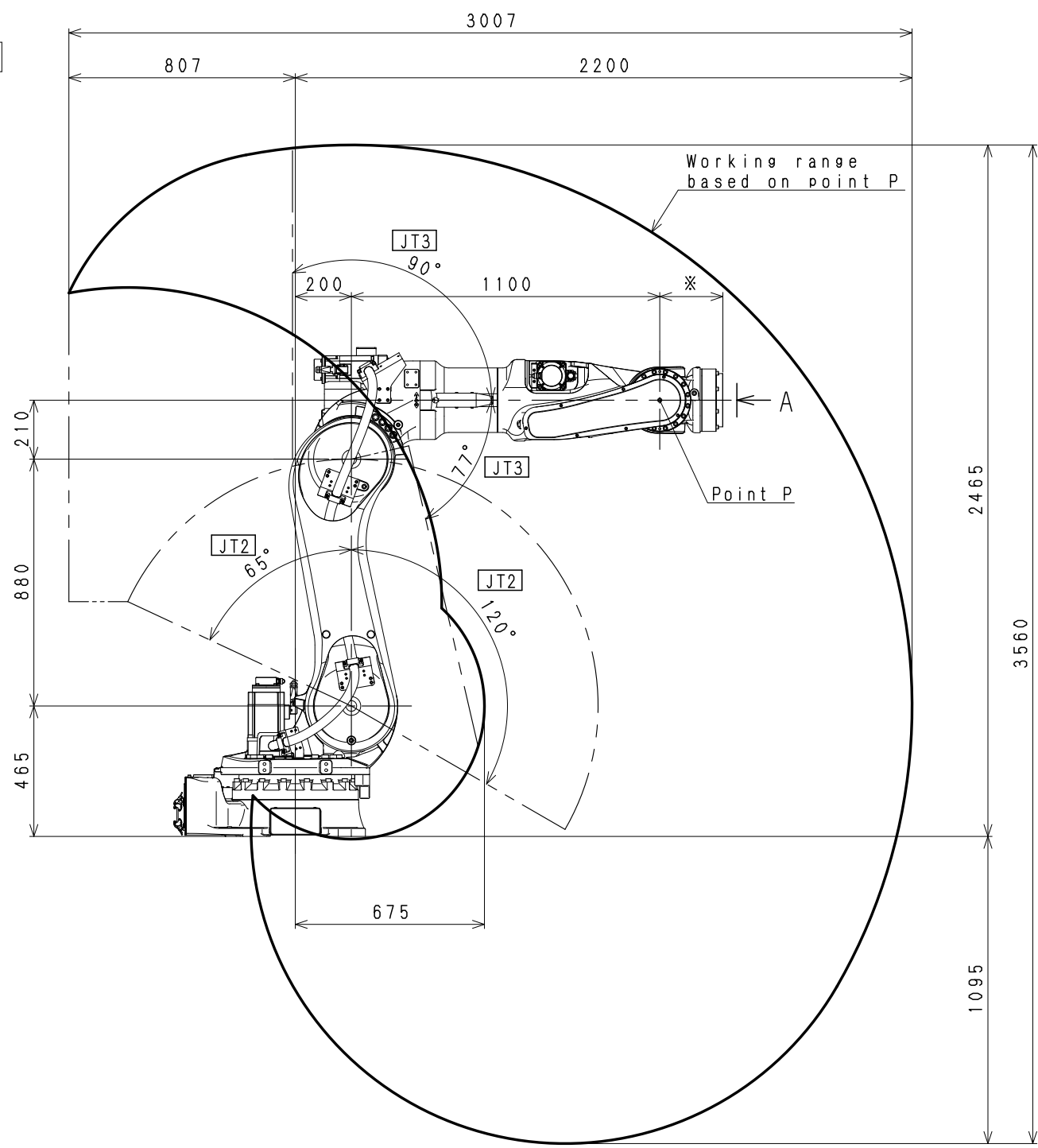
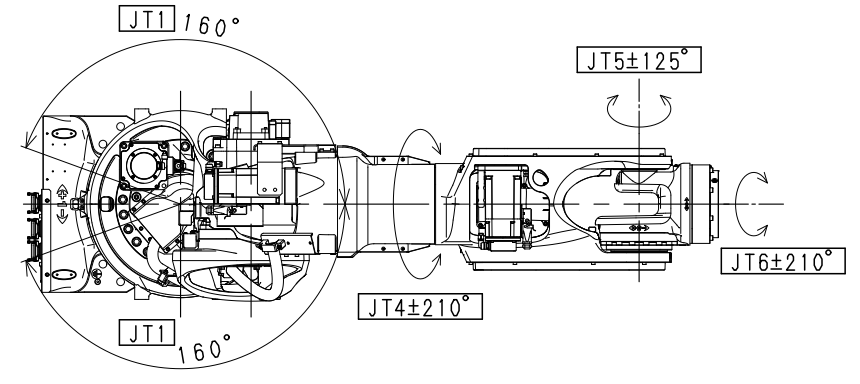
Robot specifications

1. Model	BX100N-B																						
2. Type	Articulated robot																						
3. Degree of freedom	6 axes (Option 7 axes)																						
4. Max. payload	100 kg																						
5. Max. reach	2,200 mm																						
6. Position repeatability	±0.06 mm (wrist flange surface) conforms to ISO 9283																						
7. Axis specification	<table border="1"> <thead> <tr> <th>Operating axis</th> <th>Motion range</th> <th>Max. speed</th> </tr> </thead> <tbody> <tr> <td>Arm rotation (JT1)</td> <td>±160°</td> <td>135°/s</td> </tr> <tr> <td>Arm out-in (JT2)</td> <td>+ 120° - - 65°</td> <td>110°/s</td> </tr> <tr> <td>Arm up-down (JT3)</td> <td>+ 90° - - 77°</td> <td>140°/s</td> </tr> <tr> <td>Wrist swivel (JT4)</td> <td>±210°</td> <td>200°/s</td> </tr> <tr> <td>Wrist bend (JT5)</td> <td>±125°</td> <td>200°/s</td> </tr> <tr> <td>Wrist twist (JT6)</td> <td>±210°</td> <td>300°/s</td> </tr> </tbody> </table>		Operating axis	Motion range	Max. speed	Arm rotation (JT1)	±160°	135°/s	Arm out-in (JT2)	+ 120° - - 65°	110°/s	Arm up-down (JT3)	+ 90° - - 77°	140°/s	Wrist swivel (JT4)	±210°	200°/s	Wrist bend (JT5)	±125°	200°/s	Wrist twist (JT6)	±210°	300°/s
Operating axis	Motion range	Max. speed																					
Arm rotation (JT1)	±160°	135°/s																					
Arm out-in (JT2)	+ 120° - - 65°	110°/s																					
Arm up-down (JT3)	+ 90° - - 77°	140°/s																					
Wrist swivel (JT4)	±210°	200°/s																					
Wrist bend (JT5)	±125°	200°/s																					
Wrist twist (JT6)	±210°	300°/s																					
8. Load capacity of wrist	<table border="1"> <thead> <tr> <th></th> <th>Max. torque</th> <th>Moment of inertia*</th> </tr> </thead> <tbody> <tr> <td>JT4</td> <td>588.4 N·m</td> <td>60 kg·m²</td> </tr> <tr> <td>JT5</td> <td>588.4 N·m</td> <td>60 kg·m²</td> </tr> <tr> <td>JT6</td> <td>294.2 N·m</td> <td>30 kg·m²</td> </tr> </tbody> </table> <p>Note* Each value in this table shows allowable moment of inertia of JT4/JT5/JT6 when max. allowed torque is applied to each axis. If more detailed data is required for your application, please contact Kawasaki.</p>			Max. torque	Moment of inertia*	JT4	588.4 N·m	60 kg·m ²	JT5	588.4 N·m	60 kg·m ²	JT6	294.2 N·m	30 kg·m ²									
	Max. torque	Moment of inertia*																					
JT4	588.4 N·m	60 kg·m ²																					
JT5	588.4 N·m	60 kg·m ²																					
JT6	294.2 N·m	30 kg·m ²																					
9. Mass	740 kg (without options)																						
10. Mounting	Floor mounting																						
11. Installation Environment	Ambient Temperature: 0 - 45 °C																						
	Relative Humidity: 35 - 85 % (with no dew condensation)																						
12. Color	Munsell 10GY9/1 equivalent																						
13. Degree of protection	Wrist: IP67 equivalent, Arm: IP54 equivalent																						
14. Dressing	Cable length between flange and tool is 1.2m. Consult Kawasaki when non-standard dressing will be applied.																						
15. Options	Mechanical stopper	Adjustable stoppers JT1/JT2/JT3																					
	Adapter bracket	between flange and tool																					

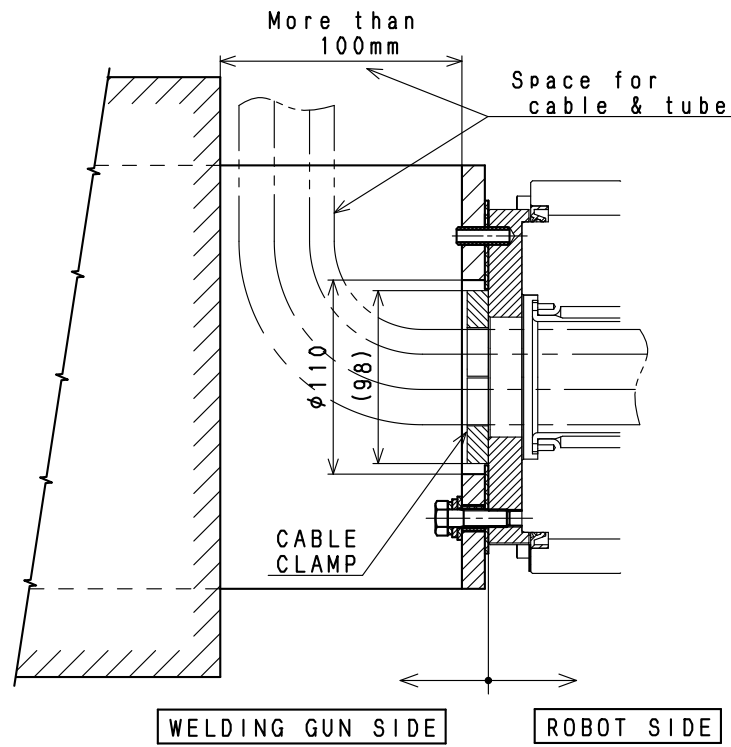
Consult Kawasaki about maintenance parts and spare parts.



Installation Dimensions



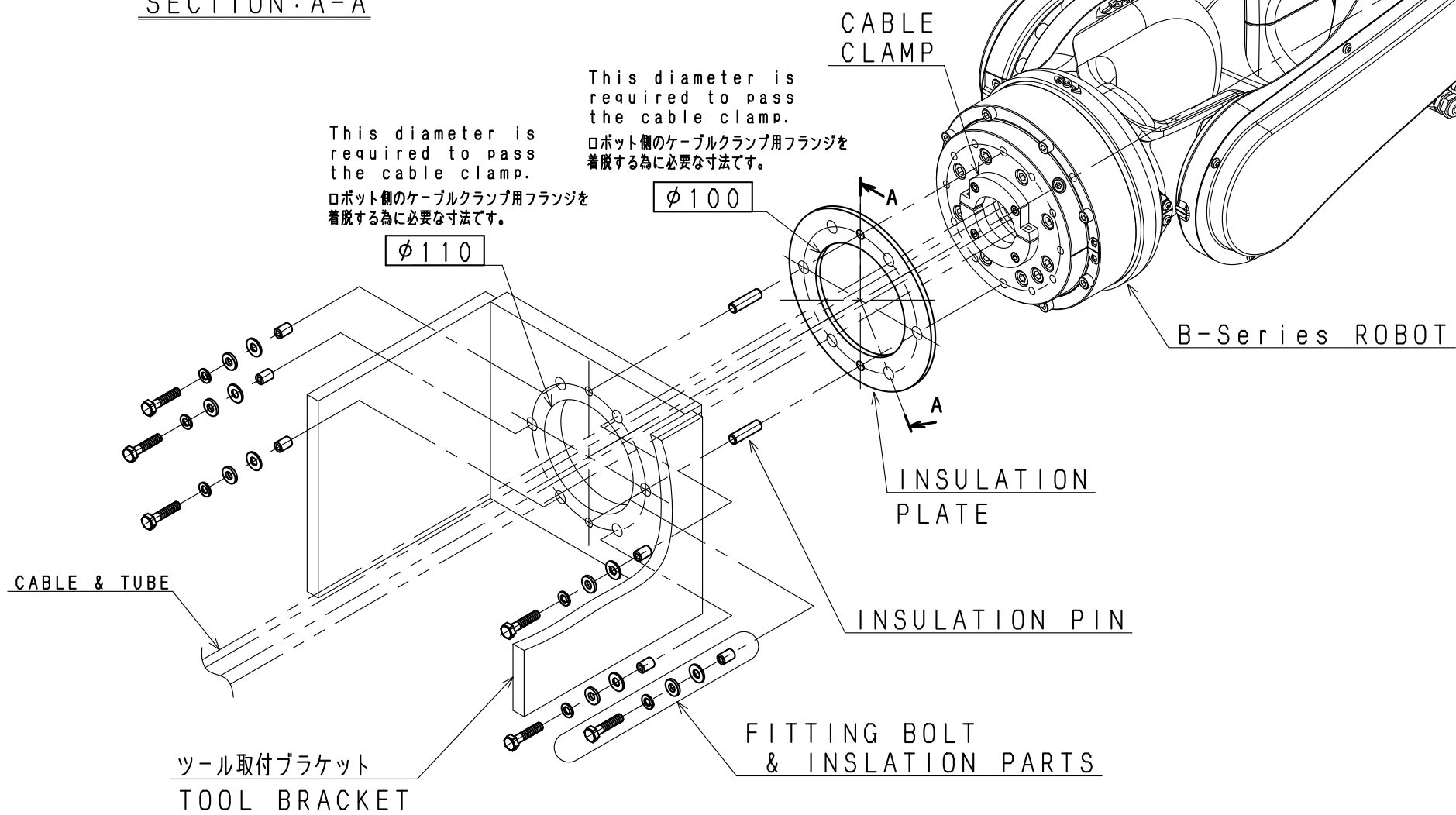
BX100N
WORKING RANGE



NULL POSITION OF THE ROBOT

ロボット標準姿勢

SECTION: A-A



This diameter is required to pass the cable clamp.
ロボット側のケーブルクランプ用フランジを着脱するに必要な寸法です。

This diameter is required to pass the cable clamp.
ロボット側のケーブルクランプ用フランジを着脱するに必要な寸法です。

注記

1. 本図は、一例としてロボット手首へのツールの取付要領を示します。

NOTES

1. This figure shows as an example how to install a tool to the robot wrist.

B-Series ROBOT
TOOL INSTALLATION PROCEDURE
(ツール取付要領図)