



# Standard Specifications

## YF002N-C

1st ed. 30-Jul-15  
2nd ed. 16-Dec-20

Kawasaki Heavy Industries, Ltd.  
Robot Business Division

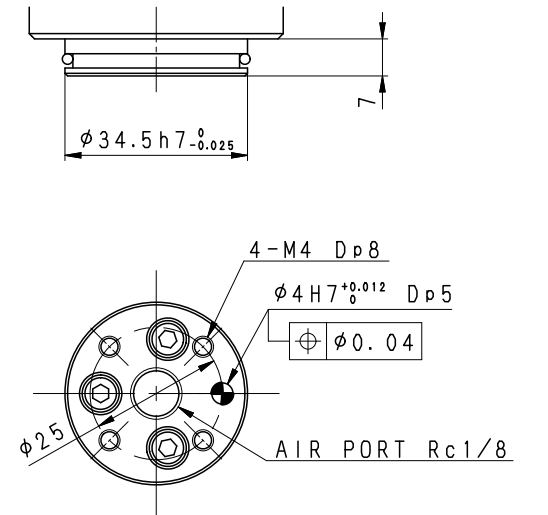
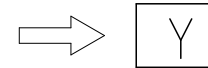
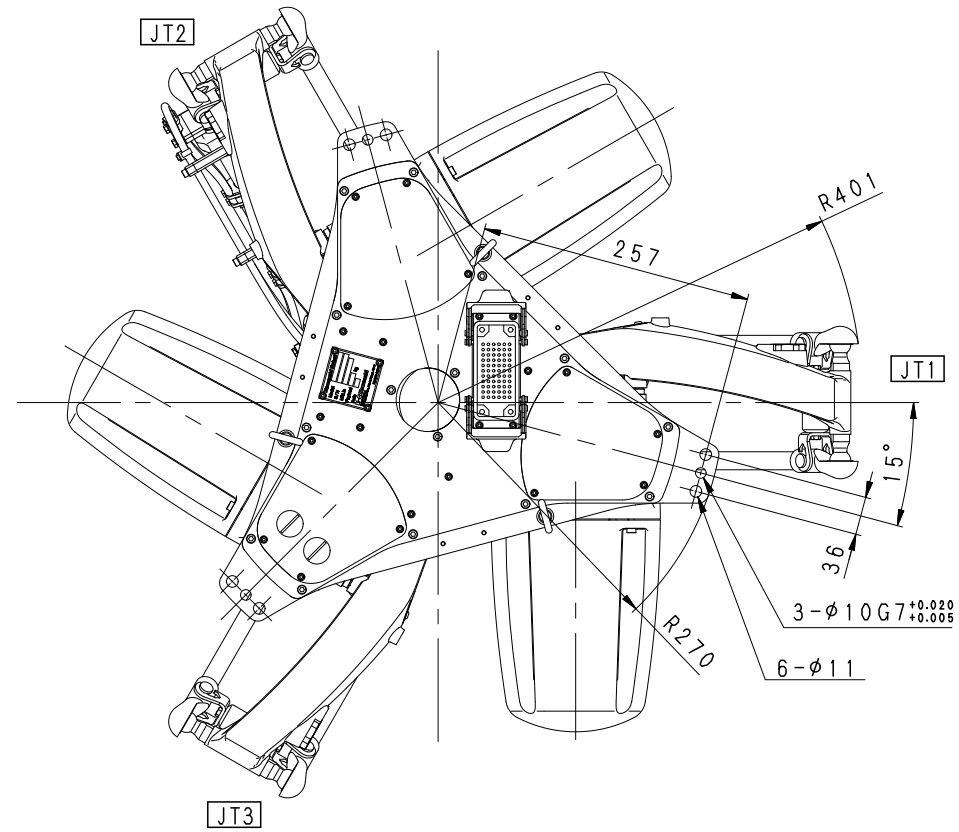
Specification number : 90151-0093DEB

Materials and specifications are subject to change without notice.

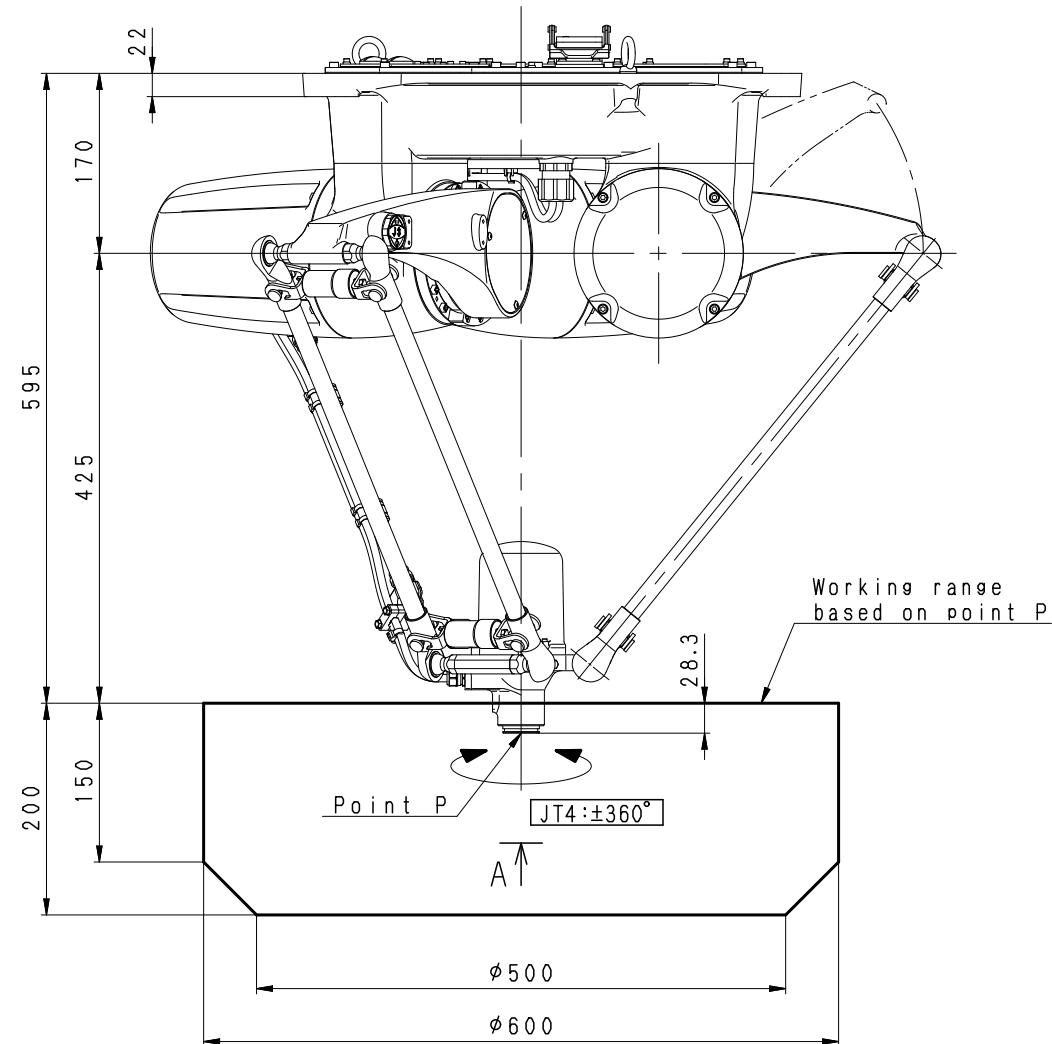
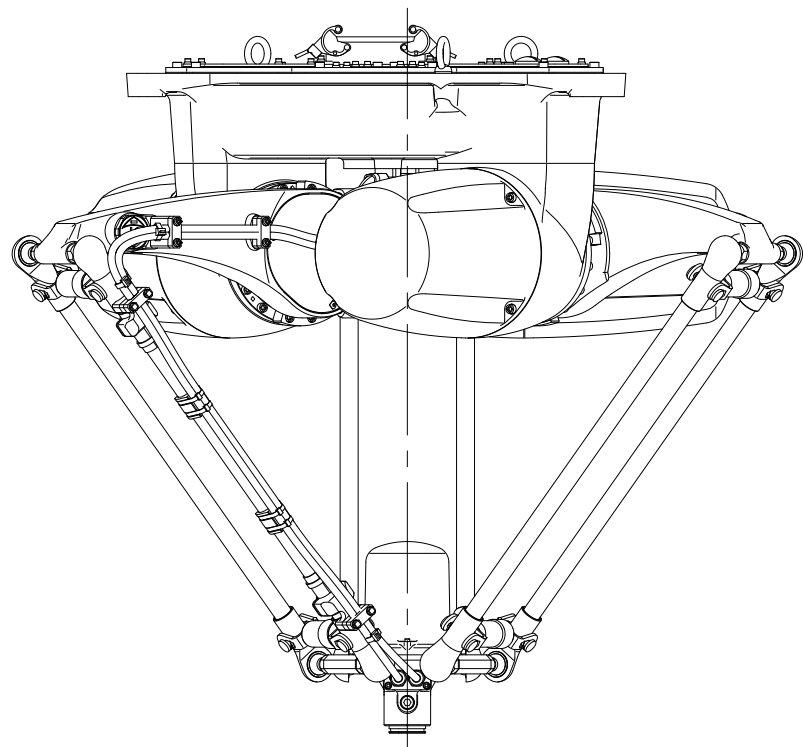
## Robot specifications

1. Model	YF002N-C																		
2. Type	Delta Parallel Robot																		
3. Degree of freedom	4 axes																		
4. Max. payload	2 kg																		
5. Motion range	φ600 x H200 mm																		
6. Position repeatability	±0.04 mm conforms to ISO 9283																		
7. Angular repeatability	±0.10 °																		
8. Axis specification	<table border="1"> <thead> <tr> <th>Operating axis</th> <th>Motion range</th> <th>Max. speed</th> </tr> </thead> <tbody> <tr> <td>Arm rotation 1 (JT1)</td> <td>+ 77 ° - - 34.5 °</td> <td>490 ° /s</td> </tr> <tr> <td>Arm rotation 2 (JT2)</td> <td>+ 77 ° - - 34.5 °</td> <td>490 ° /s</td> </tr> <tr> <td>Arm rotation 3 (JT3)</td> <td>+ 77 ° - - 34.5 °</td> <td>490 ° /s</td> </tr> <tr> <td>Wrist twist (JT4)</td> <td>±360 °</td> <td>1714.3 ° /s</td> </tr> </tbody> </table>			Operating axis	Motion range	Max. speed	Arm rotation 1 (JT1)	+ 77 ° - - 34.5 °	490 ° /s	Arm rotation 2 (JT2)	+ 77 ° - - 34.5 °	490 ° /s	Arm rotation 3 (JT3)	+ 77 ° - - 34.5 °	490 ° /s	Wrist twist (JT4)	±360 °	1714.3 ° /s	
Operating axis	Motion range	Max. speed																	
Arm rotation 1 (JT1)	+ 77 ° - - 34.5 °	490 ° /s																	
Arm rotation 2 (JT2)	+ 77 ° - - 34.5 °	490 ° /s																	
Arm rotation 3 (JT3)	+ 77 ° - - 34.5 °	490 ° /s																	
Wrist twist (JT4)	±360 °	1714.3 ° /s																	
9. Cycle time (Payload)	0.3 s (0.5 kg), 0.36 s (2 kg) *Motion pattern (25mm up, 305mm horizontal, 25mm down in a to-and-fro motion)																		
10. Load capacity of wrist	<div style="display: flex; align-items: flex-start;"> <div style="margin-right: 20px;"> <p style="text-align: center;">JT4 unit</p> </div> <table border="1" style="margin-right: 20px;"> <thead> <tr> <th>Load</th> <th>Max. Torque</th> <th>Max. Moment</th> </tr> <tr> <th>[-]</th> <th>[Nm]</th> <th>[Nm]</th> </tr> </thead> <tbody> <tr> <td>0.5kg</td> <td>0.13</td> <td>0.57</td> </tr> <tr> <td>1kg</td> <td>0.25</td> <td>1.15</td> </tr> <tr> <td>2kg</td> <td>0.37</td> <td>1.57</td> </tr> </tbody> </table> <div> <p>Put the center of mass inside of the line of the each load capacity.</p> <p>L: Distance in X-Y dimension from Z-axis to the mass center of gravity of the load. D: Distance in Z dimension from X-Y dimension to the mass center of gravity of the load.</p> </div> </div>			Load	Max. Torque	Max. Moment	[-]	[Nm]	[Nm]	0.5kg	0.13	0.57	1kg	0.25	1.15	2kg	0.37	1.57	
Load	Max. Torque	Max. Moment																	
[-]	[Nm]	[Nm]																	
0.5kg	0.13	0.57																	
1kg	0.25	1.15																	
2kg	0.37	1.57																	
11. Mass	60 kg (without options)																		
12. Mounting	Ceiling mounting																		
13. Installation Environment	Ambient Temperature :		10 - 35 °C																
	Relative Humidity :		35 - 85 % (with no dew condensation)																
14. Color	Munsell 10GY9/1 equivalent																		
15. Degree of protection	IP65 equivalent																		
16. Built-in utilities	None																		
17. Options	<table border="1" style="width: 100%; height: 100px;"> <tr><td> </td><td> </td></tr> <tr><td> </td><td> </td></tr> <tr><td> </td><td> </td></tr> <tr><td> </td><td> </td></tr> <tr><td> </td><td> </td></tr> <tr><td> </td><td> </td></tr> <tr><td> </td><td> </td></tr> <tr><td> </td><td> </td></tr> </table>																		

Consult Kawasaki about maintenance parts and spare parts.



VIEW A



YF002N-C  
WORKING RANGE