



# Standard Specifications

## RS030N-B

1st ed. 18-Feb-15  
2nd ed. 25-May-18  
3rd ed. 12-Oct-20

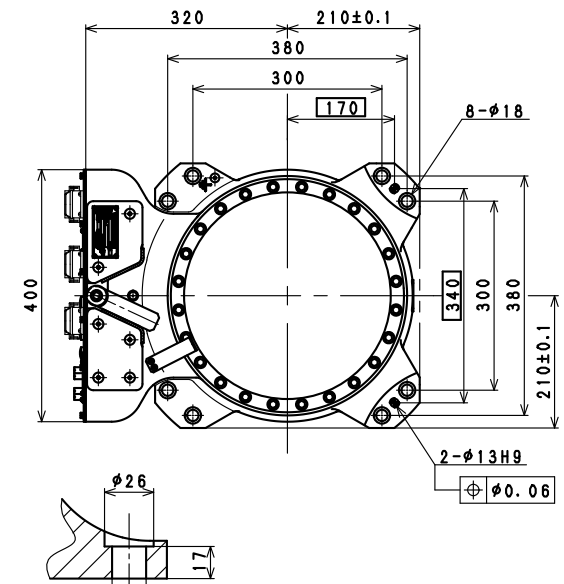
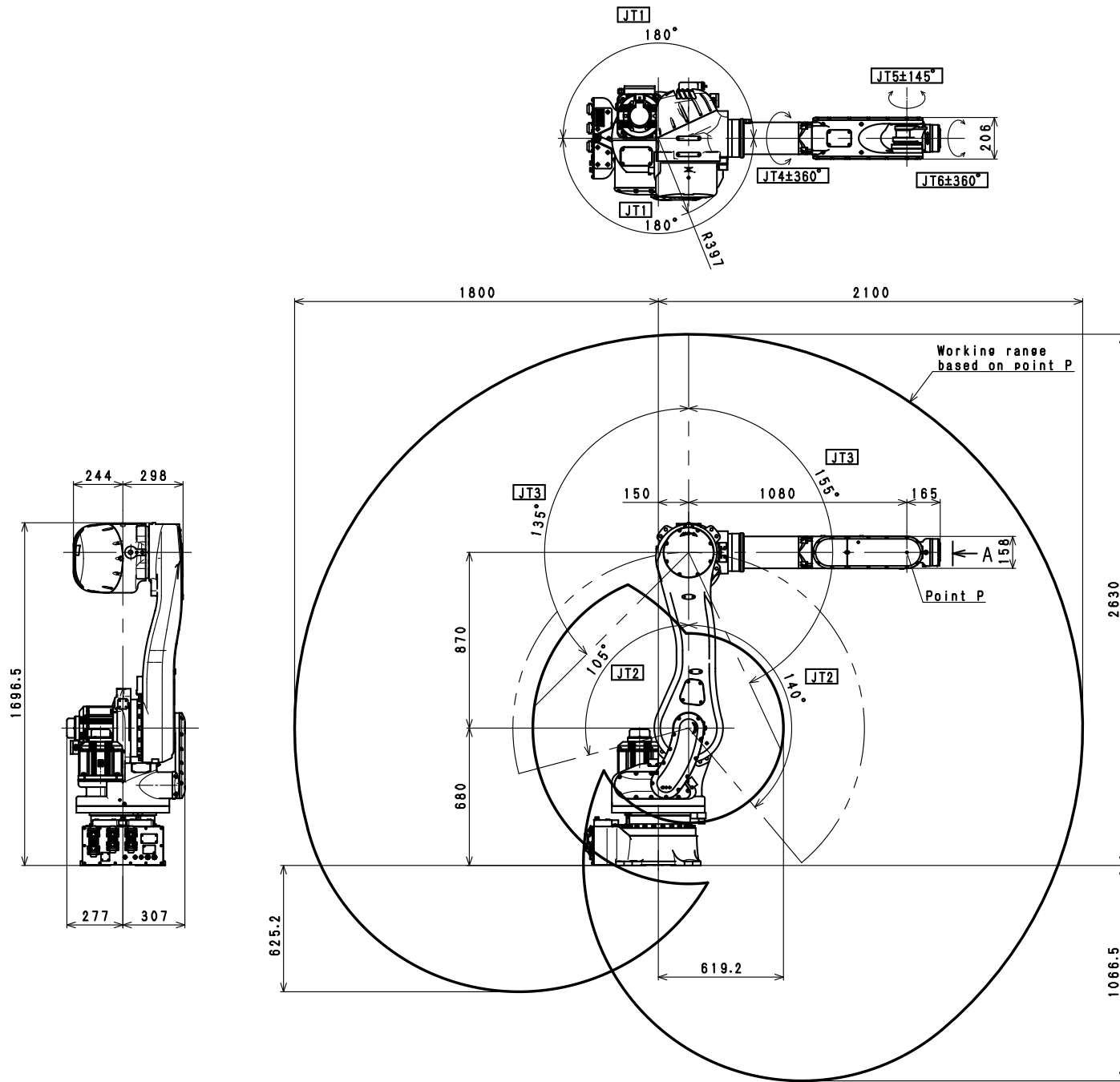
Kawasaki Heavy Industries, Ltd.  
Robot Business Division

Specification number : 90151-0052DEC

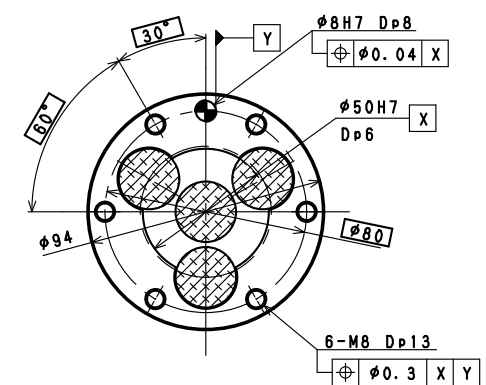
## Robot specifications

1. Model	RS030N-B																									
2. Type	Articulated robot																									
3. Degree of freedom	6 axes																									
4. Max. payload	30 kg																									
5. Max. reach	2,100 mm																									
6. Position repeatability	±0.06 mm (wrist flange surface) conforms to ISO 9283																									
7. Axis specification	<table border="1"> <thead> <tr> <th>Operating axis</th> <th>Motion range</th> <th>Max. speed</th> </tr> </thead> <tbody> <tr> <td>Arm rotation (JT1)</td> <td>±180 °</td> <td>180 ° /s</td> </tr> <tr> <td>Arm out-in (JT2)</td> <td>+140 ° - -105 °</td> <td>180 ° /s</td> </tr> <tr> <td>Arm up-down (JT3)</td> <td>+135 ° - -155 °</td> <td>185 ° /s</td> </tr> <tr> <td>Wrist swivel (JT4)</td> <td>±360 °</td> <td>260 ° /s</td> </tr> <tr> <td>Wrist bend (JT5)</td> <td>±145 °</td> <td>260 ° /s</td> </tr> <tr> <td>Wrist twist (JT6)</td> <td>±360 °</td> <td>360 ° /s</td> </tr> </tbody> </table>		Operating axis	Motion range	Max. speed	Arm rotation (JT1)	±180 °	180 ° /s	Arm out-in (JT2)	+140 ° - -105 °	180 ° /s	Arm up-down (JT3)	+135 ° - -155 °	185 ° /s	Wrist swivel (JT4)	±360 °	260 ° /s	Wrist bend (JT5)	±145 °	260 ° /s	Wrist twist (JT6)	±360 °	360 ° /s			
Operating axis	Motion range	Max. speed																								
Arm rotation (JT1)	±180 °	180 ° /s																								
Arm out-in (JT2)	+140 ° - -105 °	180 ° /s																								
Arm up-down (JT3)	+135 ° - -155 °	185 ° /s																								
Wrist swivel (JT4)	±360 °	260 ° /s																								
Wrist bend (JT5)	±145 °	260 ° /s																								
Wrist twist (JT6)	±360 °	360 ° /s																								
8. Load capacity of wrist	<table border="1"> <thead> <tr> <th></th> <th>Max. torque</th> <th>Moment of inertia*</th> </tr> </thead> <tbody> <tr> <td>JT4</td> <td>210 N·m</td> <td>16.8 kg·m<sup>2</sup></td> </tr> <tr> <td>JT5</td> <td>210 N·m</td> <td>16.8 kg·m<sup>2</sup></td> </tr> <tr> <td>JT6</td> <td>130 N·m</td> <td>6.6 kg·m<sup>2</sup></td> </tr> </tbody> </table> <p>Note* Each value in this table shows allowable moment of inertia of JT4/JT5/JT6 when max. allowed torque is applied to each axis. If more detailed data is required for your application, please contact Kawasaki.</p>			Max. torque	Moment of inertia*	JT4	210 N·m	16.8 kg·m <sup>2</sup>	JT5	210 N·m	16.8 kg·m <sup>2</sup>	JT6	130 N·m	6.6 kg·m <sup>2</sup>												
	Max. torque	Moment of inertia*																								
JT4	210 N·m	16.8 kg·m <sup>2</sup>																								
JT5	210 N·m	16.8 kg·m <sup>2</sup>																								
JT6	130 N·m	6.6 kg·m <sup>2</sup>																								
9. Mass	555 kg (without options)																									
10. Mounting	Floor or Ceiling mounting																									
11. Installation Environment	Ambient Temperature: 0 - 45 °C Relative Humidity: 35 - 85 % (with no dew condensation)																									
12. Color	Munsell 10GY9/1 equivalent																									
13. Degree of protection	Wrist: IP67 equivalent, Arm: IP65 equivalent																									
14. Built-in utilities	Pneumatic piping (φ10 × 2 lines )																									
15. Options	<table border="1"> <tbody> <tr> <td>Mounting</td> <td>Wall mounting</td> </tr> <tr> <td>Degree of protection</td> <td>Arm: IP67 equivalent</td> </tr> <tr> <td>Sensor harness</td> <td>12 circuits, wired inside robot arm</td> </tr> <tr> <td>Op. machine harness</td> <td>7 pairs, wired inside robot arm</td> </tr> <tr> <td>Solenoid valve</td> <td>Double solenoid / Single solenoid valves (4 units max.)</td> </tr> <tr> <td>Air cleaning</td> <td>Filter, Regulator, Mist separator</td> </tr> <tr> <td>Mechanical stopper</td> <td>Adjustable stoppers JT1/JT2/JT3</td> </tr> <tr> <td>Color</td> <td></td> </tr> <tr> <td>Installation stand</td> <td>300 mm, 600 mm height</td> </tr> <tr> <td>Base plate</td> <td>750 mm × 750 mm</td> </tr> <tr> <td></td> <td></td> </tr> <tr> <td></td> <td></td> </tr> </tbody> </table>		Mounting	Wall mounting	Degree of protection	Arm: IP67 equivalent	Sensor harness	12 circuits, wired inside robot arm	Op. machine harness	7 pairs, wired inside robot arm	Solenoid valve	Double solenoid / Single solenoid valves (4 units max.)	Air cleaning	Filter, Regulator, Mist separator	Mechanical stopper	Adjustable stoppers JT1/JT2/JT3	Color		Installation stand	300 mm, 600 mm height	Base plate	750 mm × 750 mm				
Mounting	Wall mounting																									
Degree of protection	Arm: IP67 equivalent																									
Sensor harness	12 circuits, wired inside robot arm																									
Op. machine harness	7 pairs, wired inside robot arm																									
Solenoid valve	Double solenoid / Single solenoid valves (4 units max.)																									
Air cleaning	Filter, Regulator, Mist separator																									
Mechanical stopper	Adjustable stoppers JT1/JT2/JT3																									
Color																										
Installation stand	300 mm, 600 mm height																									
Base plate	750 mm × 750 mm																									

Consult Kawasaki about maintenance parts and spare parts.



Installation Dimensions



VIEW A

RS030N  
WORKING RANGE