



Standard Specifications

BXP165L-A

1st ed. 15-Apr-21

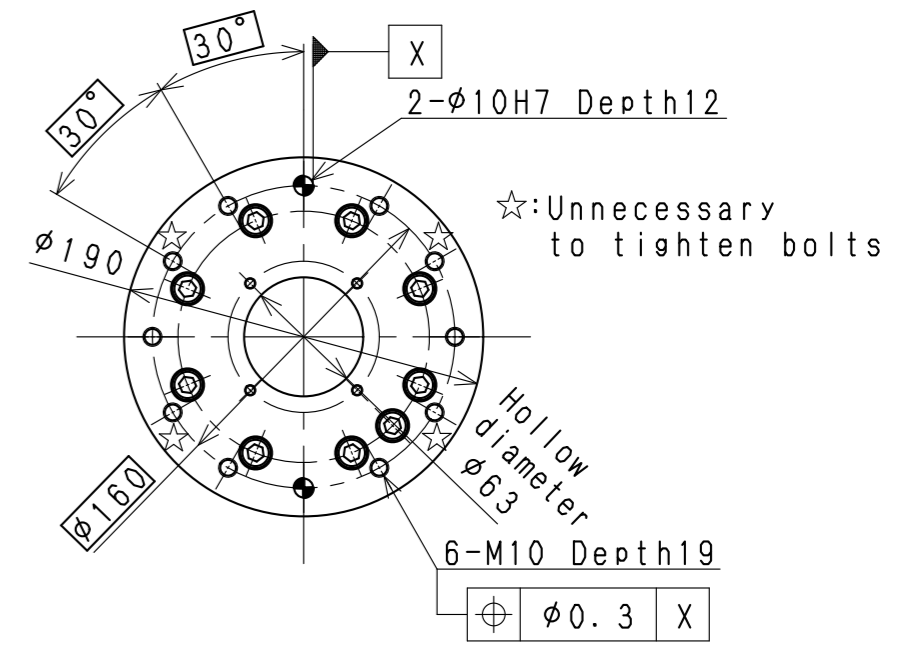
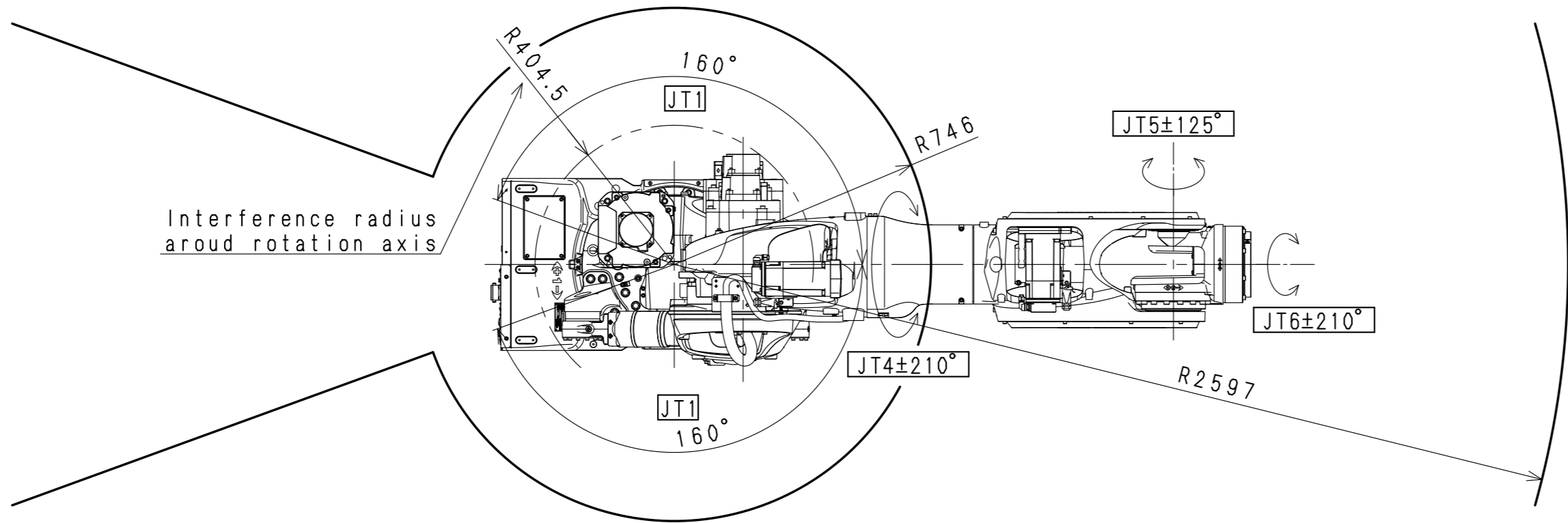
Kawasaki Heavy Industries, Ltd.
Robot Business Division

Specification number : 90151-0360DEA

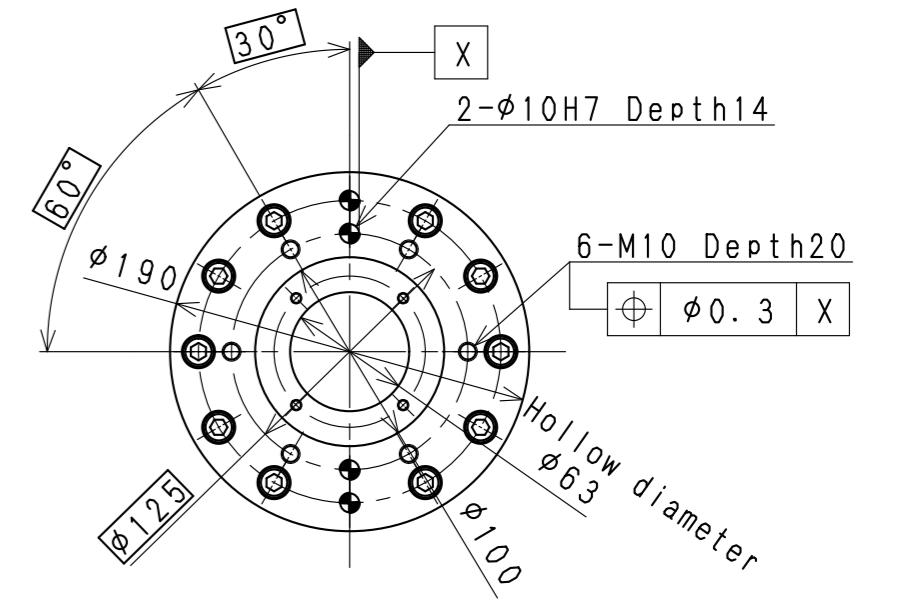
Robot specifications

1. Model	BXP165L-A		
2. Type	Articulated robot		
3. Degree of freedom	6 axes (Option 7 axes)		
4. Max. payload	165 kg		
5. Max. reach	2,597 mm		
6. Position repeatability	±0.06 mm (wrist flange surface) conforms to ISO 9283		
7. Axis specification	Operating axis	Motion range	Max. speed
	Arm rotation (JT1)	±160°	140°/s
	Arm out-in (JT2)	+76° - -60°	115°/s
	Arm up-down (JT3)	+90° - -75°	130°/s
	Wrist swivel (JT4)	±210°	190°/s
	Wrist bend (JT5)	±125°	180°/s
	Wrist twist (JT6)	±210°	290°/s
8. Load capacity of wrist		Max. torque	Moment of inertia*
	JT4	960 N·m	105 kg·m ²
	JT5	960 N·m	105 kg·m ²
	JT6	520 N·m	50 kg·m ²
	Note* Each value in this table shows allowable moment of inertia of JT4/JT5/JT6 when max. allowed torque is applied to each axis. If more detailed data is required for your application, please contact Kawasaki.		
9. Mass	870 kg (without options)		
10. Mounting	Floor mounting		
11. Installation Environment	Ambient Temperature:	0 - 45 °C	
	Relative Humidity:	35 - 85 % (with no dew condensation)	
12. Color	Munsell 10GY9/1 equivalent		
13. Degree of protection	Wrist: IP67 equivalent, Arm: IP54 equivalent		
14. Dressing	Cable length between flange and tool is 1.5m. Consult Kawasaki when non-standard dressing will be applied.		
15. Options	Mechanical stopper	Adjustable stoppers JT1/JT2/JT3	
	Adapter bracket	between flange and tool	

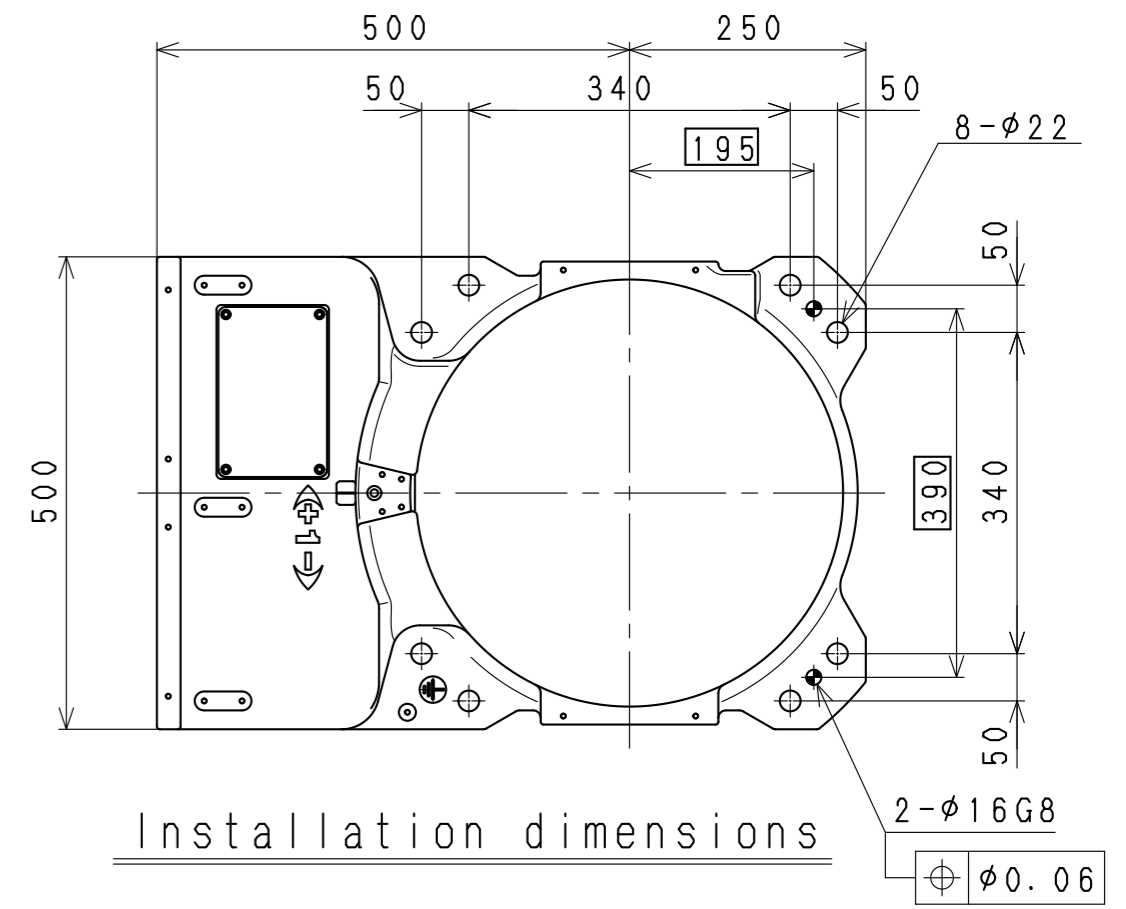
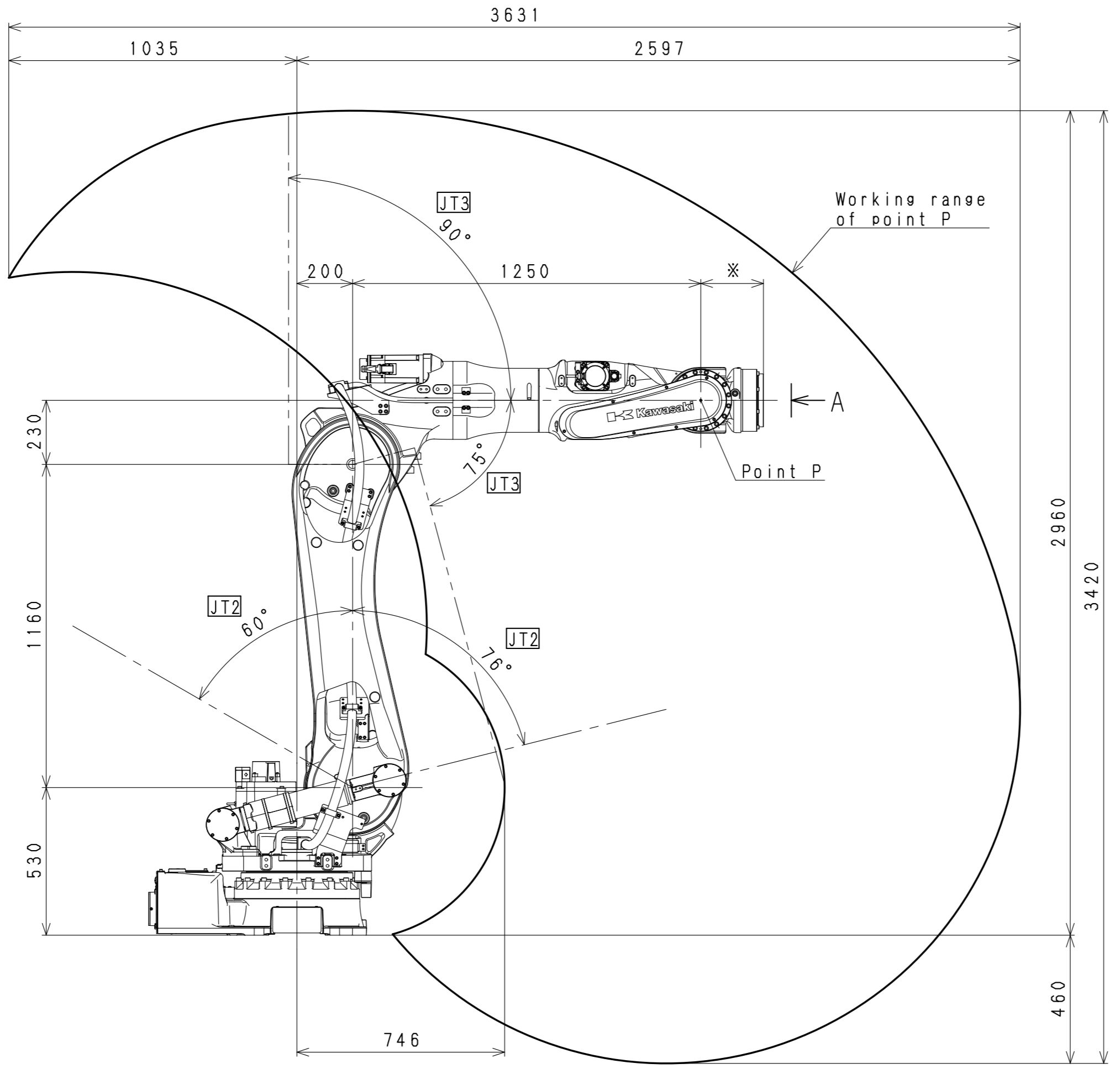
Consult Kawasaki about maintenance parts and spare parts.



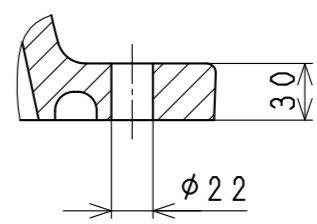
STANDARD FLANGE
 ※ Dimension:225



OPTION FLANGE
 ※ Dimension:245
 View A



Installation dimensions



BXP110L/165L/210L
 WORKING RANGE

