



# Standard Specifications

## BTP165L-A

1st ed. 05-Jan-22

Kawasaki Heavy Industries, Ltd.  
Robot Business Division

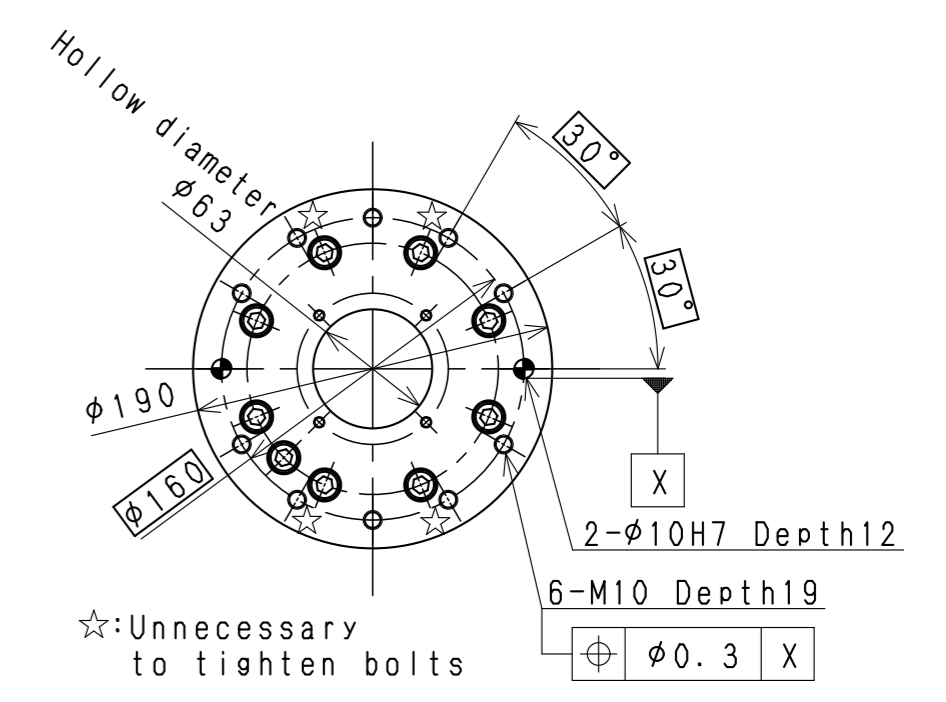
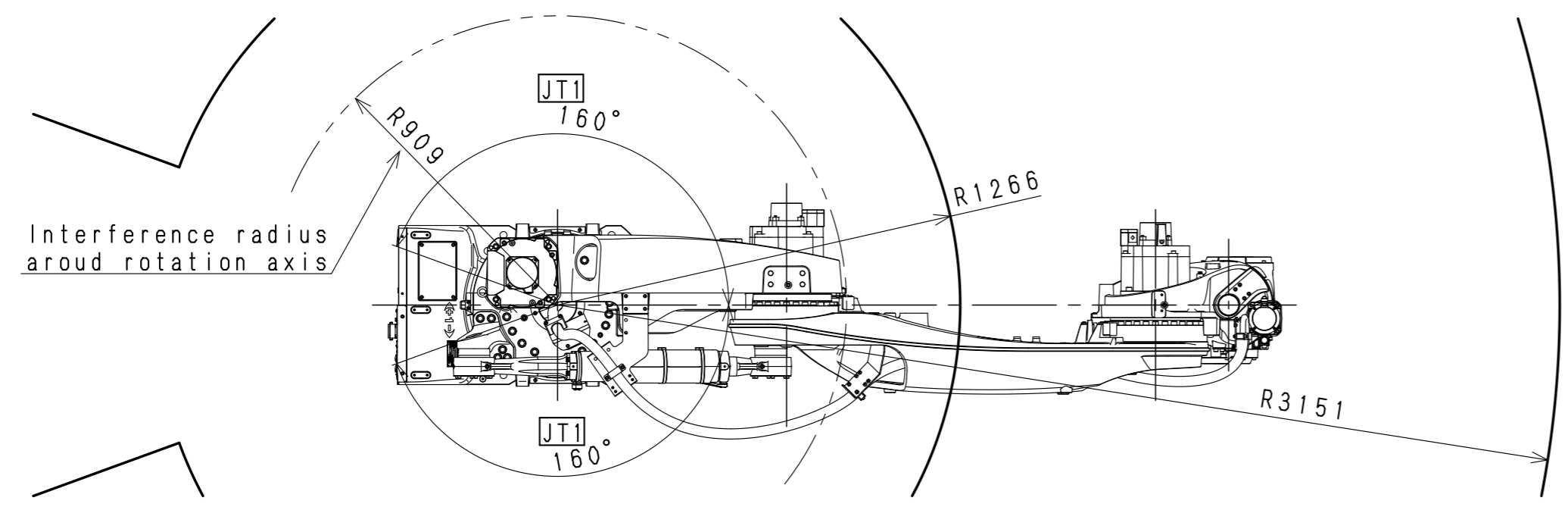
Specification number : 90151-0374DEA

Materials and specifications are subject to change without notice.

## Robot specifications

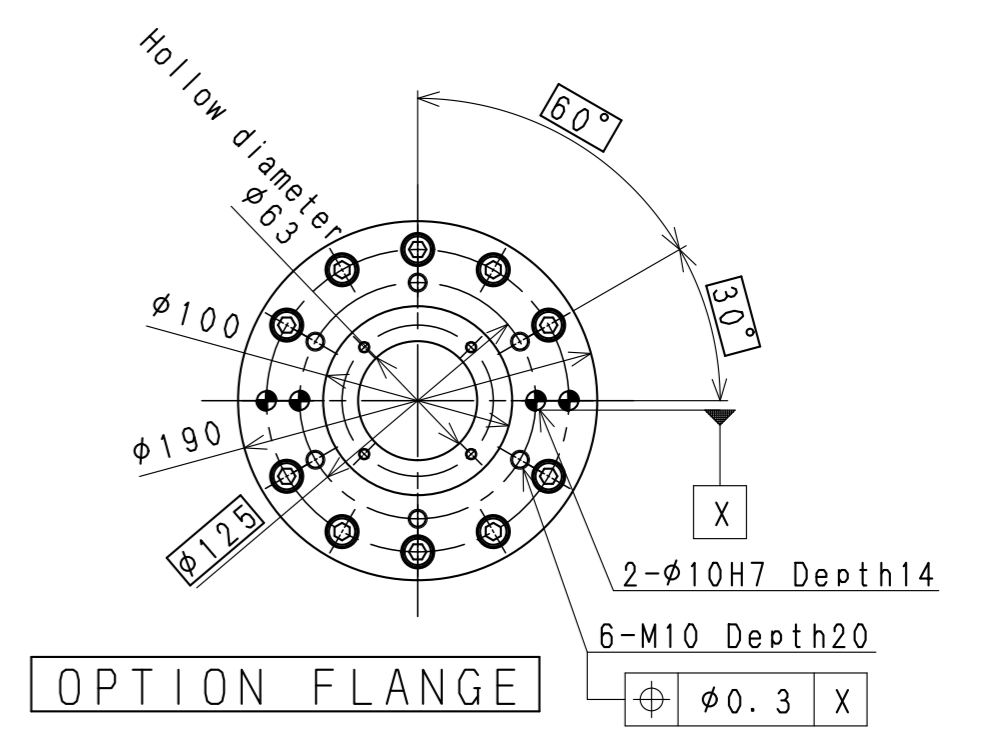
1. Model	BTP165L-A																						
2. Type	Articulated robot																						
3. Degree of freedom	6 axes (Option 7 axes)																						
4. Max. payload	165 kg																						
5. Max. reach	3,151 mm																						
6. Position repeatability	±0.08 mm (wrist flange surface) conforms to ISO 9283																						
7. Axis specification	<table border="1"> <thead> <tr> <th>Operating axis</th> <th>Motion range</th> <th>Max. speed</th> </tr> </thead> <tbody> <tr> <td>Arm rotation (JT1)</td> <td>±160°</td> <td>125°/s</td> </tr> <tr> <td>Arm out-in (JT2)</td> <td>+ 80° - - 130°</td> <td>115°/s</td> </tr> <tr> <td>Arm up-down (JT3)</td> <td>+ 90° - - 75°</td> <td>130°/s</td> </tr> <tr> <td>Wrist swivel (JT4)</td> <td>±210°</td> <td>190°/s</td> </tr> <tr> <td>Wrist bend (JT5)</td> <td>±125°</td> <td>180°/s</td> </tr> <tr> <td>Wrist twist (JT6)</td> <td>±210°</td> <td>290°/s</td> </tr> </tbody> </table>		Operating axis	Motion range	Max. speed	Arm rotation (JT1)	±160°	125°/s	Arm out-in (JT2)	+ 80° - - 130°	115°/s	Arm up-down (JT3)	+ 90° - - 75°	130°/s	Wrist swivel (JT4)	±210°	190°/s	Wrist bend (JT5)	±125°	180°/s	Wrist twist (JT6)	±210°	290°/s
Operating axis	Motion range	Max. speed																					
Arm rotation (JT1)	±160°	125°/s																					
Arm out-in (JT2)	+ 80° - - 130°	115°/s																					
Arm up-down (JT3)	+ 90° - - 75°	130°/s																					
Wrist swivel (JT4)	±210°	190°/s																					
Wrist bend (JT5)	±125°	180°/s																					
Wrist twist (JT6)	±210°	290°/s																					
8. Load capacity of wrist	<table border="1"> <thead> <tr> <th></th> <th>Max. torque</th> <th>Moment of inertia*</th> </tr> </thead> <tbody> <tr> <td>JT4</td> <td>960 N·m</td> <td>105 kg·m<sup>2</sup></td> </tr> <tr> <td>JT5</td> <td>960 N·m</td> <td>105 kg·m<sup>2</sup></td> </tr> <tr> <td>JT6</td> <td>520 N·m</td> <td>50 kg·m<sup>2</sup></td> </tr> </tbody> </table> <p>Note* Each value in this table shows allowable moment of inertia of JT4/JT5/JT6 when max. allowed torque is applied to each axis. If more detailed data is required for your application, please contact Kawasaki.</p>			Max. torque	Moment of inertia*	JT4	960 N·m	105 kg·m <sup>2</sup>	JT5	960 N·m	105 kg·m <sup>2</sup>	JT6	520 N·m	50 kg·m <sup>2</sup>									
	Max. torque	Moment of inertia*																					
JT4	960 N·m	105 kg·m <sup>2</sup>																					
JT5	960 N·m	105 kg·m <sup>2</sup>																					
JT6	520 N·m	50 kg·m <sup>2</sup>																					
9. Mass	1,030 kg (without options)																						
10. Mounting	Shelf mounting																						
11. Installation Environment	Ambient Temperature: 0 - 45 °C																						
	Relative Humidity: 35 - 85 % (with no dew condensation)																						
12. Color	Munsell 10GY9/1 equivalent																						
13. Degree of protection	Wrist: IP67 equivalent, Arm: IP54 equivalent																						
14. Dressing	Cable length between flange and tool is 1.5m. Consult Kawasaki when non-standard dressing will be applied.																						
15. Options	Mechanical stopper	Adjustable stoppers JT1/JT2/JT3																					
	Adapter bracket	between flange and tool																					

Consult Kawasaki about maintenance parts and spare parts.



STANDARD FLANGE

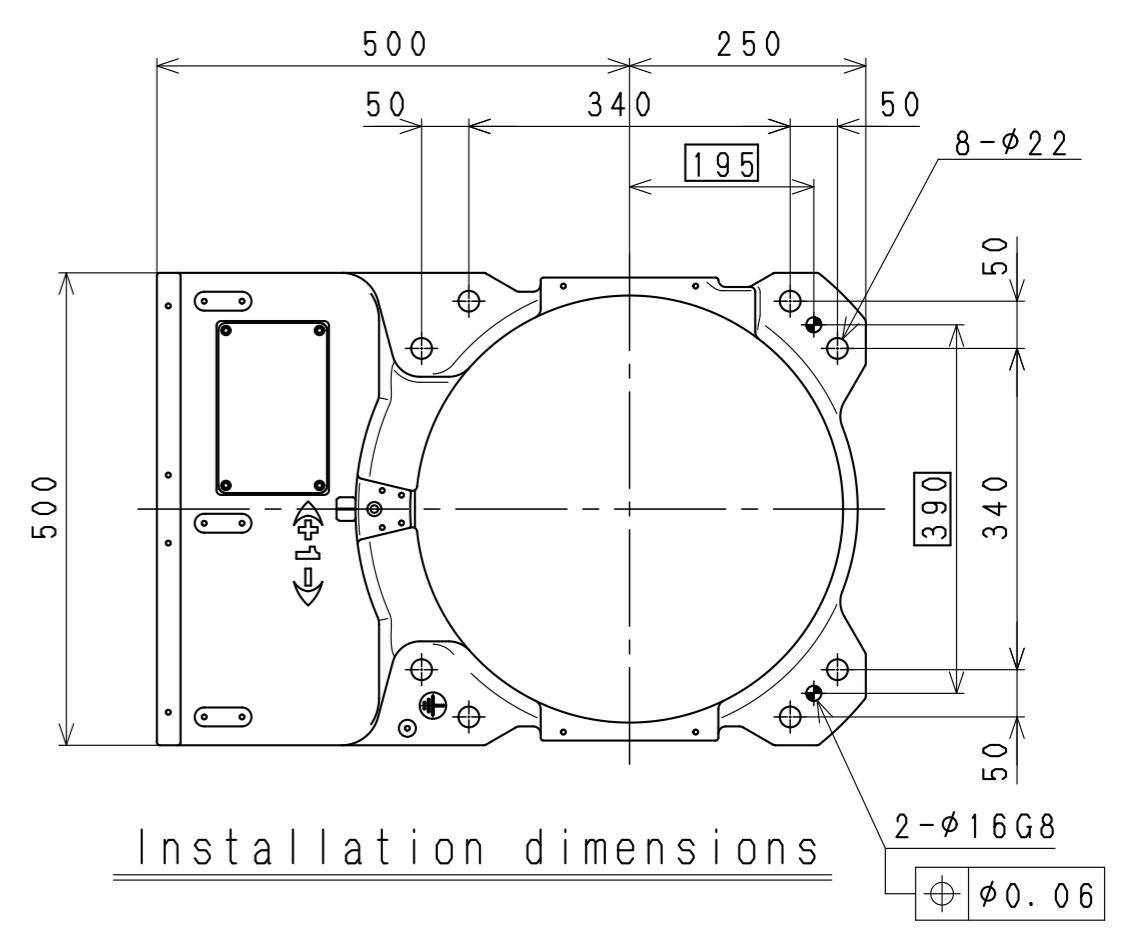
※ Dimension:225



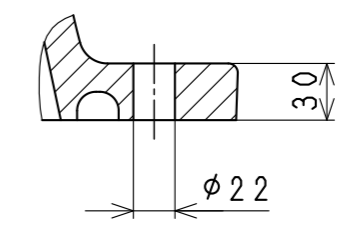
OPTION FLANGE

※ Dimension:245

View A



Installation dimensions



BTP165L/210L  
WORKING RANGE

