



Standard Specifications

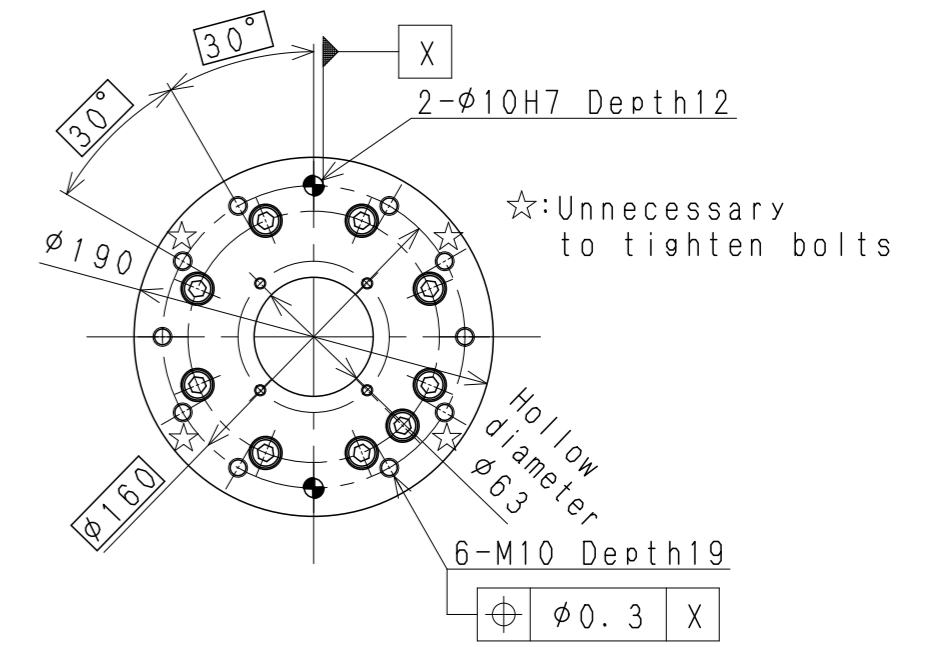
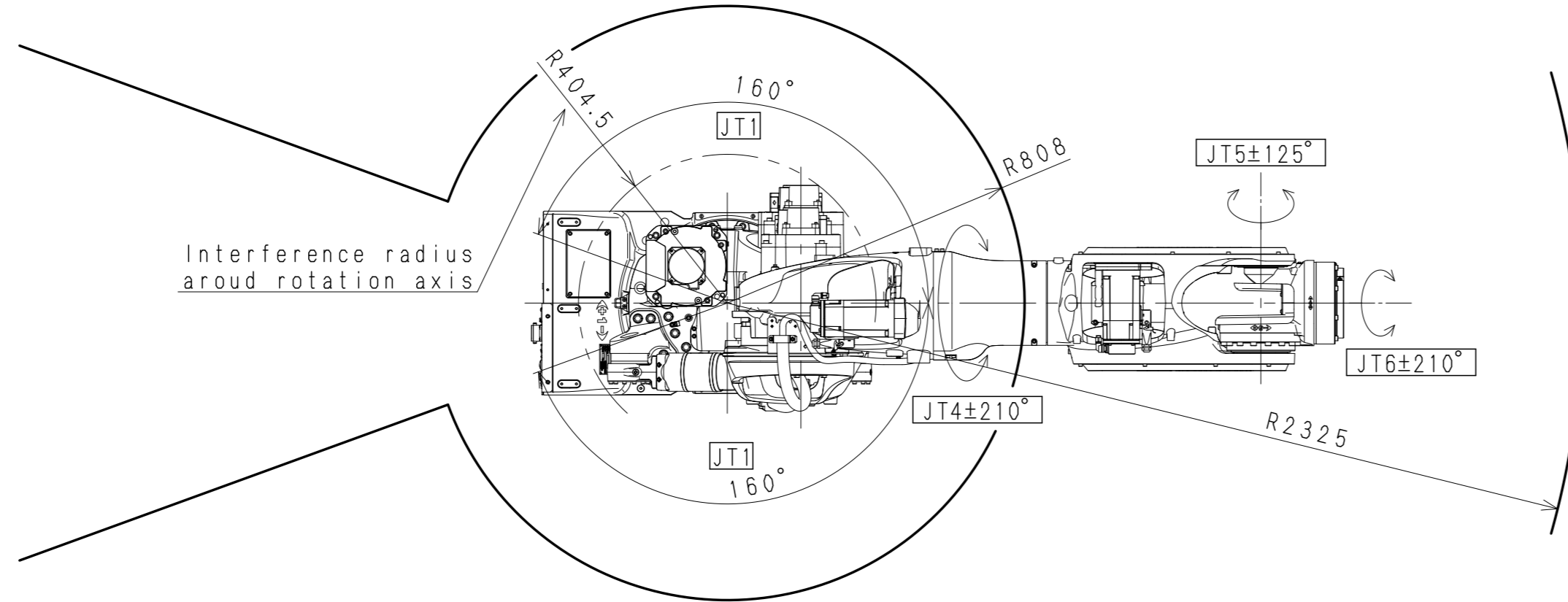
BXP165N-A

1st ed. 13-Oct-21

Kawasaki Heavy Industries, Ltd.
Robot Business Division

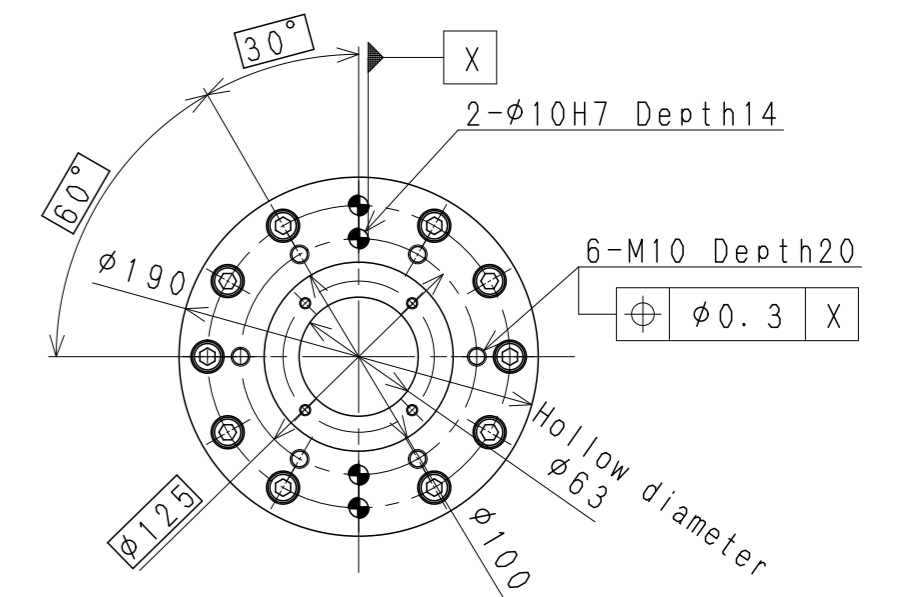
Specification number : 90151-0370DEA

Materials and specifications are subject to change without notice.



STANDARD FLANGE

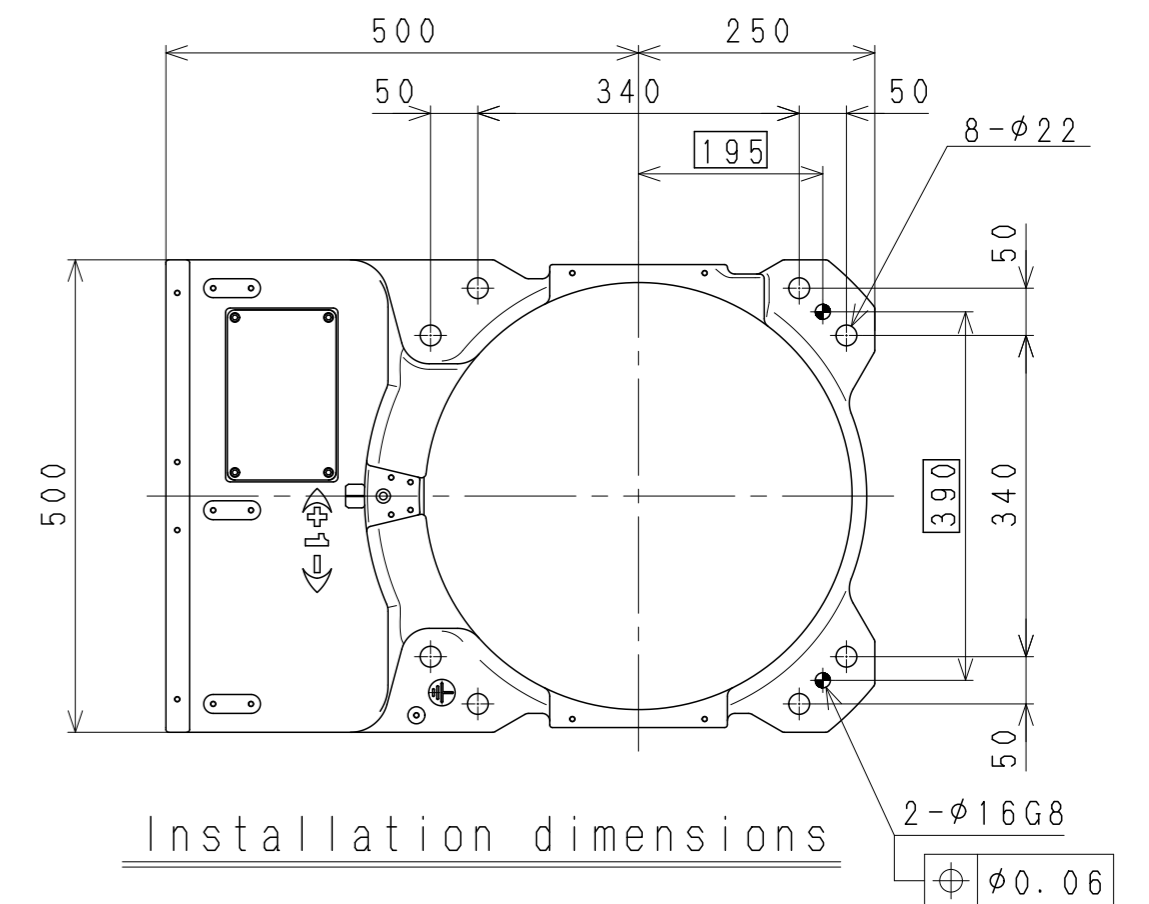
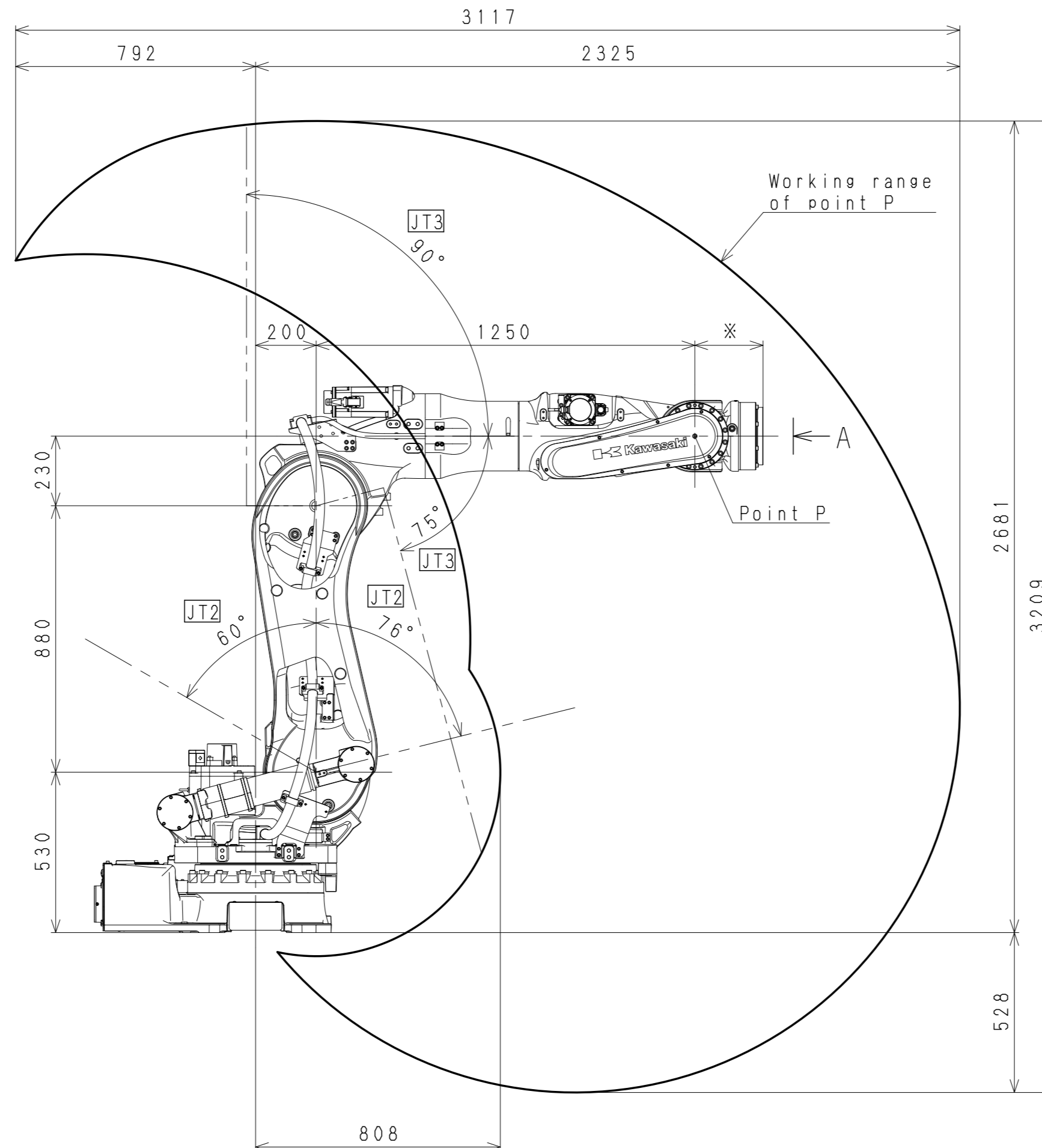
※ Dimension:225



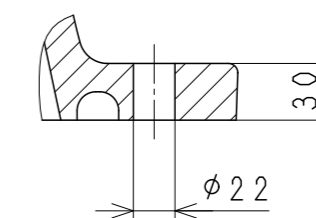
OPTION FLANGE

※ Dimension:245

View A



Installation dimensions



BXP165N
WORKING RANGE

