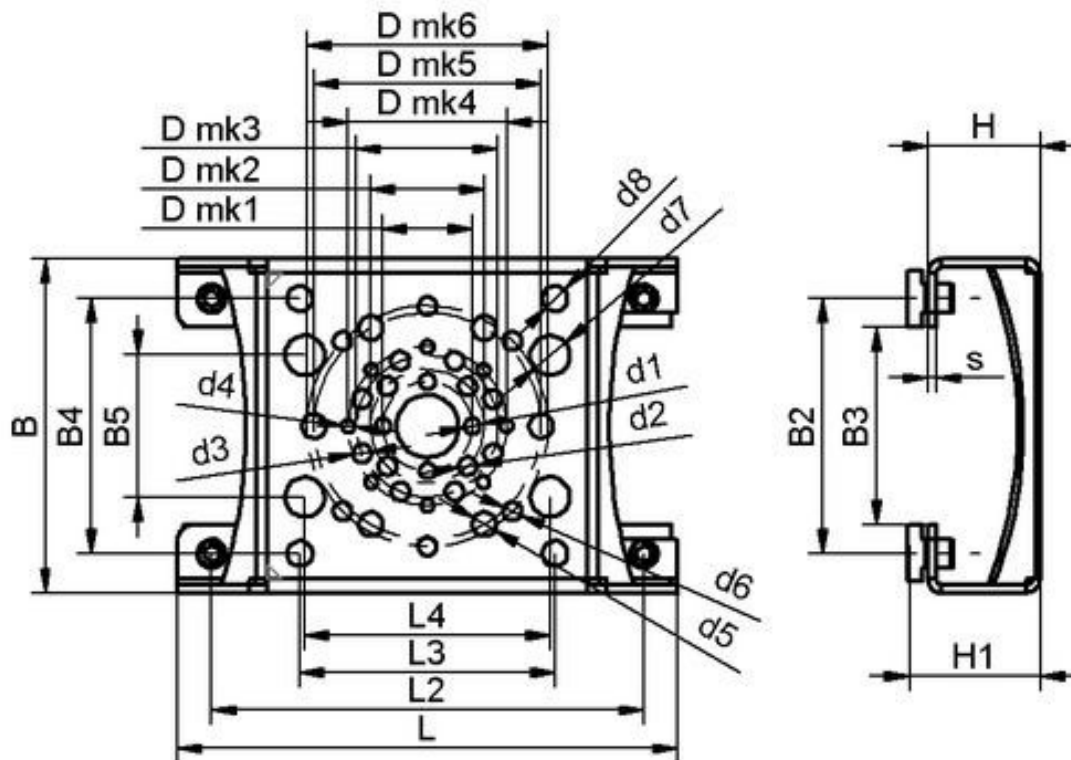


# MOD-FLAN 176.6x118x40 FXP

Part no.: 10.01.38.01722



B	118 mm
B2	90 mm
B3	70 mm
B4	90 mm
B5	50 mm
D mk1	31.50 mm
D mk2	40 mm
D mk3	50 mm
D mk4	56 mm
D mk5	80 mm
D mk6	85 mm
d1	5.50 mm
d2	6.50 mm
d3	6.50 mm
d4	4.50 mm
d5	8.50 mm
Hole diameter	6.50 mm
H	40 mm
H1	47 mm
L	176.60 mm
L2	152.50 mm
L3	90 mm
L4	90.20 mm