

# **Kawasaki** **Robotics**

## **EMEA Headquarters, Sales and Service**

### **Kawasaki Robotics GmbH**

<http://kawasakirobotics.de>  
Im Taubental 32, 41468 Neuss, Germany  
Phone: +49-2131-3426-0 Fax: +49-2131-3426-22

## **Branch Offices**

### **Kawasaki Robotics (UK) Ltd.**

<http://kawasakirobotics.de>  
Unit 4 Easter Court, Europa Boulevard, Westbrook Warrington  
Cheshire, WA5 7ZB, United Kingdom  
Phone: +44-1925-71-3000 Fax: +44-1925-71-3001

### **Kawasaki Robotics France**

<http://kawasakirobotics.de>  
PA de la clé St Pierre, 78990 ELANCOURT, France  
Phone: +336-31 27 43 41 Fax: +336-31 27 43 41

### **Kawasaki Heavy Industries Middle East FZE (KHI-ME)**

<http://kawasakirobotics.de>  
Dubai Aiport Free Zone, Bldg. W6, Block-A,  
Office No. 709, PO BOX 54878, Dubai UAE  
Phone: +971-(0)4-214-6730 Fax: +971-(0)4-214-6729

### **Kawasaki Robotics Central Eastern Europe HUB**

<http://kawasakirobotics.pl>  
3 Feliksa Wrobela Street 30-798 Cracow, Poland  
Phone: +48-663 890 123

### **Kawasaki Robotics Iberian HUB**

Francisco Aristeguieta Centro Tecnológico (F.A.C.T.)  
GI-3162 (Zarautz-Urdaneta) km 2,2  
E-20809 AIA (Gipuzkoa), Spain  
Phone: +34-943 140 139

### **Kawasaki Robotics Southern Europe HUB**

<http://kawasakirobotics.it>  
Via Isorella 32, 25010 Visano (BS), Italy  
Phone: +39 030 9958621

<http://kawasakirobotics.de>



## **CAUTIONS TO BE TAKEN TO ENSURE SAFETY**

If for those persons involved with the operation / service of your system, including Kawasaki Robot, they must strictly observe all safety regulations at all times. They should carefully read the Manuals and other related safety documents.

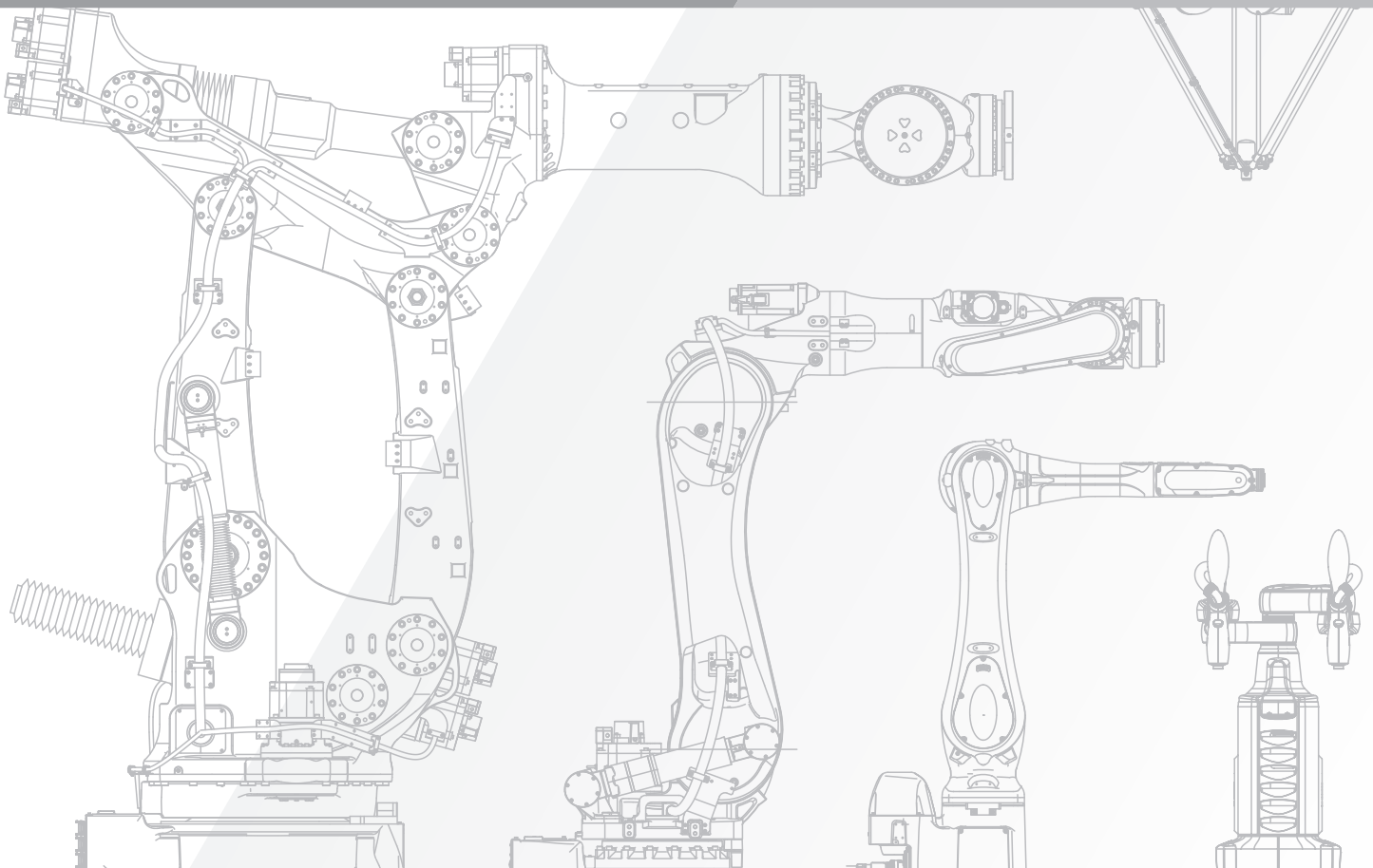
If Products described in this catalogue are general industrial robots. Therefore, if a customer wishes to use the Robot for special purposes, which might endanger operators or if the Robot has any problems, please contact us. We will be pleased to help you.

If Be careful as Photographs illustrated in this catalogue are frequently taken after removing safety fences and other safety devices stipulated in the safety regulations from the Robot operation system.

# Kawasaki Robotics

## ASTORINO

English Version

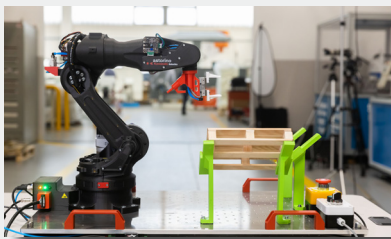


# Kawasaki Robotics ASTORINO

## A New Way of Learning Robotics

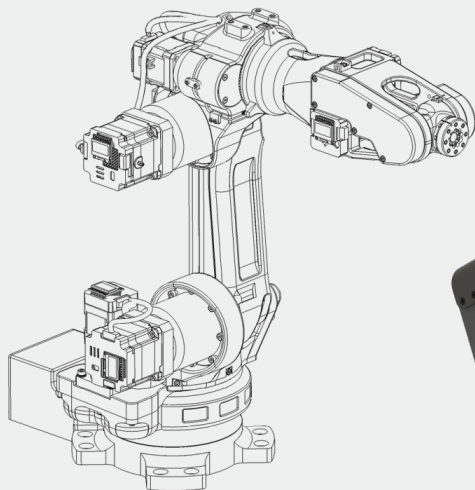
ASTORINO is a modern 6-axis robot based on 3D printing technology. Programmable in AS-language, it facilitates the preparation of classes with ready-made teaching materials, is easy both to use and to repair, and gives the opportunity to learn and make mistakes without fear of breaking it.

With ASTORINO, the teaching process can be innovative and respond to the demands of the modern world. It can also serve as a showcase for a school or university, increasing its attractiveness in the education market.



### ASTORINO: The Facts

- 99.5 % 3D printing
- 6 weeks delivery time (with durable packaging)
- Compatible with Kawasaki Robotics programming language
- Easily available spare parts through 3D printing)
- Linear Track, Machine Vision and more options available
- Training material, technical documents and CAD files included



### New: Industrial Style Teach Pendant

- Identical to industrial Kawasaki robots
- Easy to handle and intuitive design

### New: ASTORINO Pro Station

- Fully assembled with pneumatic gripper, air and power supply
- Mounting plate integrated on worktable
- Dedicated software for visualisation and programming
- User manual, programming manual and full technical support



**New B-Version and Options available now**

**Variety of optional grippers available:**



**Pneumatic**



**Electric**

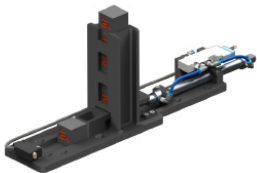


**Magnetic**



**Vacuum**

**Additional options available:**



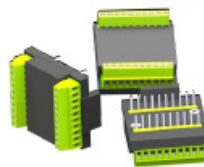
**Cube Feeder Actuator**  
Actuator  
Optic sensor  
Electrovalve



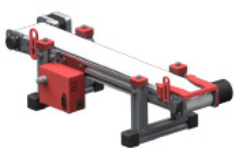
**SimBox Stand-Alone Controller**  
Enables full offline simulations  
Enables full programming options  
USB and ethernet connections



**Linear Track**  
60 cm length  
Additional robot axis  
3D printed



**Input/Output Adapter**  
Easy connection of devices  
For ASTORINO SimBox controller  
3.3 V protected power line



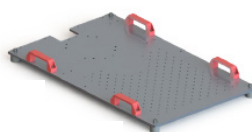
**Educational Conveyor**  
45 cm length  
0.5 kg payload  
Software included



**Vision System**  
OpenMV camera  
Python programming  
Serial port communication



**24V I/O Module**  
Power supply 24V  
PNP or NPN output  
PNP input



**Base Plate**  
800x500x10 mm  
Aluminium and 4 plastic grips  
180 mounting holes

