



Kawasaki Robotics

LINEUP OVERVIEW

<http://kawasakirobotics.de>



Facebook



LinkedIn

EMEA Headquarters, Sales and Service

Kawasaki Robotics GmbH
<http://kawasakirobotics.de>
 Im Taubental 32, 41468 Neuss, Germany
 Phone: +49-2131-3426-0 Fax: +49-2131-3426-22

Branch Offices

Kawasaki Robotics (UK) Ltd.
<http://kawasakirobotics.de>
 Unit 4 Easter Court, Europa Boulevard, Westbrook Warrington
 Cheshire, WA5 7ZB, United Kingdom
 Phone: +44-1925-71-3000 Fax: +44-1925-71-3001

Kawasaki Robotics France
<http://kawasakirobotics.de>
 PA de la clé St Pierre, 78990 ELANCOURT, France
 Phone: +336-31 27 43 41 Fax: +336-31 27 43 41

Kawasaki Heavy Industries Middle East FZE (KHI-ME)
<http://kawasakirobotics.de>
 Dubai Aiport Free Zone, Bldg. W6, Block-A,
 Office No. 709, PO BOX 54878, Dubai UAE
 Phone: +971-(0)4-214-6730 Fax: +971-(0)4-214-6729

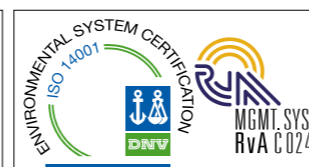
Kawasaki Robotics Central Eastern Europe HUB
<http://kawasakirobotics.pl>
 3 Feliksa Wrobela Street 30-798 Cracow, Poland
 Phone: +48-663 890 123

Kawasaki Robotics Iberian HUB
 Francisco Aristeguieta Centro Tecnológico (F.A.C.T.)
 GI-3162 (Zarautz-Urdaneta) km 2,2
 E-20809 AIA (Gipuzkoa), Spain
 Phone: +34-943 140 139

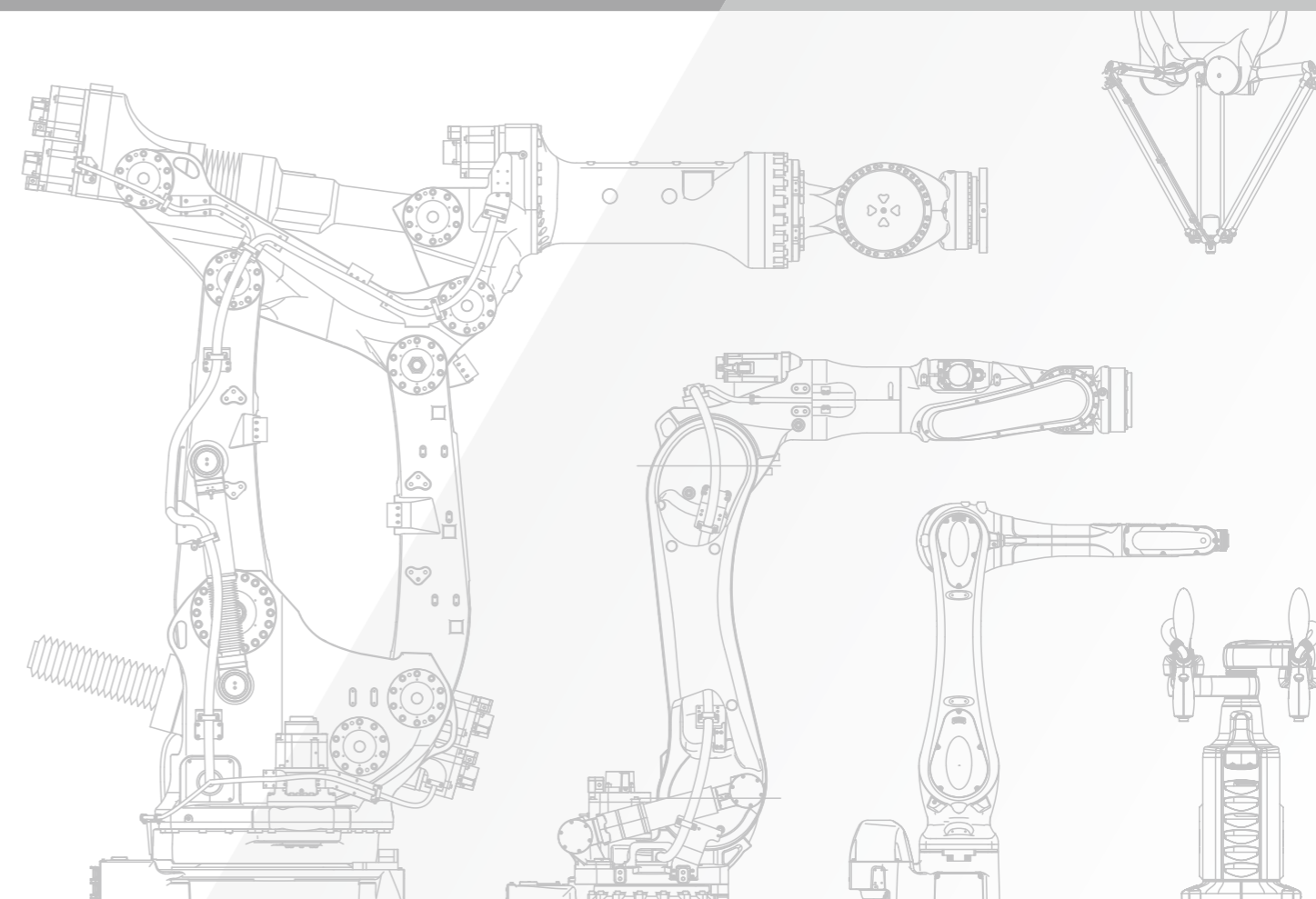
Kawasaki Robotics Southern Europe HUB
<http://kawasakirobotics.it>
 Via Isorella 32, 25010 Visano (BS), Italy
 Phone: +39 030 9958621

CAUTIONS TO BE TAKEN TO ENSURE SAFETY

- For those persons involved with the operation / service of your system, including Kawasaki Robot, they must strictly observe all safety regulations at all times. They should carefully read the Manuals and other related safety documents.
- Products described in this catalogue are general industrial robots. Therefore, if a customer wishes to use the Robot for special purposes, which might endanger operators or if the Robot has any problems, please contact us. We will be pleased to help you.
- Be careful as Photographs illustrated in this catalogue are frequently taken after removing safety fences and other safety devices stipulated in the safety regulations from the Robot operation system.


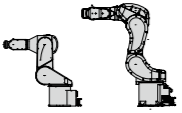
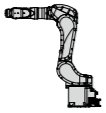
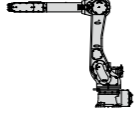
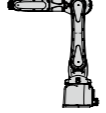
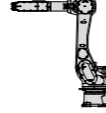
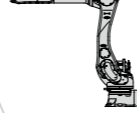

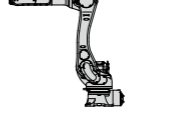



ISO certified in Akashi Works.



SMALL TO MEDIUM PAYLOAD ROBOTS – up to 80 kg R SERIES (including RA Series for ARC WELDING)

HOLLOW WRIST ARC WELDING ROBOT

									
RS003N/RS005N	RS005L/RA005L	RS006L/RA006L	RS007N/RS007L	RS010N/RA010N	RS010L/RA010L	RS013N/RS015X	RS020N/RA020N/RS025N	RS030N/050N/080N	BA006N / BA006L
Payload: 3 kg/5 kg	Payload: 5 kg	Payload: 6 kg	Payload: 7 kg	Payload: 10 kg	Payload: 10 kg	Payload: 13 kg/15 kg	Payload: 20/20/25 kg	Payload: 30/50/80 kg	Payload: 6 kg
Axes: 6	Axes: 6	Axes: 6	Axes: 6	Axes: 6	Axes: 6	Axes: 6	Axes: 6	Axes: 6	Axes: 6
Reach: 620/705 mm	Reach: 903 mm	Reach: 1.650 mm	Reach: 730/930 mm	Reach: 1.450 mm	Reach: 1.925 mm	Reach: 1.460/3.150 mm	Reach: 1.725/1.725/1.885 mm	Reach: 2.100 mm	Reach: 1.455/2.036 mm
Repeatability: ±0,02 mm	Repeatability: ±0,03 mm	Repeatability: ±0,03 mm	Repeatability: ±0,02/ ±0,03 mm	Repeatability: ±0,03 mm	Repeatability: ±0,05 mm	Repeatability: ±0,03/ ±0,06 mm	Repeatability: ±0,04	Repeatability: ±0,06 mm	Repeatability: ±0,06/ ±0,08 mm

LARGE PAYLOAD ROBOTS – up to 300 kg Z SERIES

EXTRA LARGE PAYLOAD ROBOTS – up to 1.500 kg M SERIES



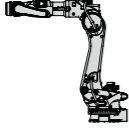
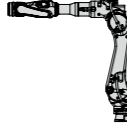
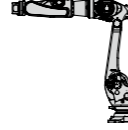
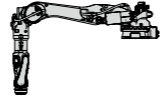


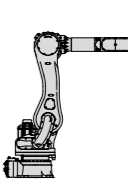
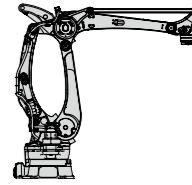
PICK & PLACE ROBOTS Y SERIES

									
ZX165U	ZX130L	ZX300S	ZT165U	MX350L/420L	MX500N/700N	MG15HL	YF002N	YF003N	YF003N
Payload: 165 kg	Payload: 130 kg	Payload: 300 kg	Payload: 165 kg	Payload: 350/420 kg	Payload: 500/700 kg	Payload: 1.500 kg	Payload: 2 kg	Payload: 3 kg	Payload: 3 kg
Axes: 6	Axes: 6	Axes: 6	Axes: 6	Axes: 6	Axes: 6	Axes: 6	Axes: 4	Axes: 4 (Option 5)	Axes: 4
Reach: 2.651 mm	Reach: 2.951 mm	Reach: 2.501 mm	Reach: 3.230 mm	Reach: 3.018/2778 mm	Reach: 2.540 mm	Reach: 4.005 mm	Reach: 600 mm	Reach: 1.300 mm	Reach: 1.300 mm
Repeatability: ±0,3 mm	Repeatability: ±0,3 mm	Repeatability: ±0,3 mm	Repeatability: ±0,3 mm	Repeatability: ±0,5 mm	Repeatability: ±0,5 mm	Repeatability: ±0,1 mm	Repeatability: ±0,04 mm	Repeatability: ±0,1 mm	Repeatability: ±0,1 mm

HANDLING AND SPOT WELDING ROBOTS B SERIES

BXP SERIES

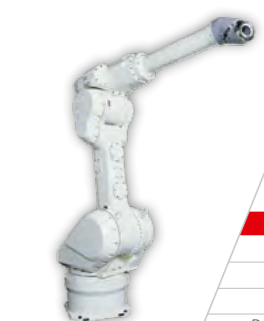
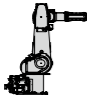
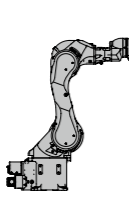
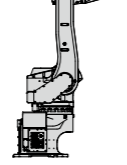




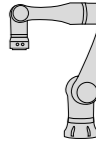
PALLETIZING ROBOTS – up to 700 kg

									
BX100N	BX100L/165L/200L	BX130X/200X/165N	BX250L/300L	BT165L/200L	BXP110S	BXP135X/BXP210L	RD080N	CP180L/300L/500L/700L	CP180L/300L/500L/700L
Payload: 100 kg	Payload: 100/165/200 kg	Payload: 130/200/165 kg	Payload: 250/300 kg	Payload: 165/200 kg	Payload: 110 kg	Payload: 135/210 kg	Payload: 80 kg	Payload: 180/300/500/700 kg	Payload: 180/300/500/700 kg
Axes: 6	Axes: 6	Axes: 6	Axes: 6	Axes: 6	Axes: 6	Axes: 6	Axes: 5	Axes: 4	Axes: 4
Reach: 2.200 mm	Reach: 2.597 mm	Reach: 2.991/3.412/2.325 mm	Reach: 2.812 mm	Reach: 3.151 mm	Reach: 1.634 mm	Reach: 2.991/2.597 mm	Reach: 2.100 mm	Reach: 3.255 mm	Reach: 3.255 mm
Repeatability: ±0,06 mm	Repeatability: ±0,06 mm	Repeatability: ±0,06/±0,07/ ±0,06 mm	Repeatability: ±0,07 mm	Repeatability: ±0,08 mm	Repeatability: ±0,06 mm	Repeatability: ±0,06 mm	Repeatability: ±0,07 mm	Repeatability: ±0,5 mm	Repeatability: ±0,5 mm

PAINTING ROBOTS – explosion-proof K SERIES

MEDICAL & PHARMACEUTICAL ROBOTS

CL SERIES COBOTS

								
KF121	KJ125/KJ155	KJ194/KJ244/KJ264	KJ314	MC004N/MC004V	MS005N	MS005N	CL103N/CL105N/CL108N/CL110N	CL103N/CL105N/CL108N/CL110N
Payload: 5 kg	Payload: Wrist 8 kg, Arm 5 kg	Payload: Wrist 15 kg, Arm 25 kg	Payload: Wrist 15 kg, Arm 25 kg	Payload: 4 kg	Payload: 5 kg	Payload: 5 kg	Payload: 3/5/8/10 kg	Payload: 3/5/8/10 kg
Axes: 6	Axes: 6	Axes: 6	Axes: 7	Axes: 6	Axes: 7	Axes: 7	Axes: 6	Axes: 6
Reach: 1.240 mm	Reach: 1.299/1.545 mm	Reach: 1.940/2.490/2.640 mm	Reach: 3.100 mm	Reach: 506 mm	Reach: 660 mm	Reach: 660 mm	Reach: 590/800/1.300/1.000 mm	Reach: 590/800/1.300/1.000 mm
Repeatability: ±0,2 mm	Repeatability: ±0,15 mm	Repeatability: ±0,5 mm	Repeatability: ±0,5 mm	Repeatability: ±0,05 mm	Repeatability: ±0,1 mm	Repeatability: ±0,1 mm	Repeatability: ±0,02 mm	Repeatability: ±0,02 mm
		FLOOR / SHELF / WALL						

Visit www.kawasakirobotics.de for more information on all robot models.

