

## Standard Specifications

KJ264C-B

KJ264C-D

KJ264C-F

KJ264C-H

(for E controller)

1st ed. 06-Sep-17

2nd ed. 31-Jan-25

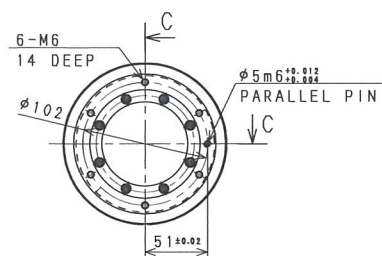
Kawasaki Heavy Industries, Ltd.  
Robot Business Division

Specification number : 90151-0209DEB

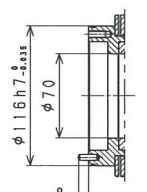
## Robot specifications

1. Model	Installation mode		Standard	Mirror
	Floor		KJ264C-B0	KJ264C-B1
	Mounting wall is left side		KJ264C-D0	KJ264C-D1
	Mounting wall is right side		KJ264C-F0	KJ264C-F1
	Shelf		KJ264C-H0	KJ264C-H1
2. Type	Articulated robot			
3. Degree of freedom	6 axes			
4. Max. payload	Wrist : 15 kg (at the tool mounting surface) Upper arm : 25 kg (including painting equipment in the pressurized chamber)			
5. Max. reach	2,640 mm			
6. Position repeatability	±0.5 mm (wrist flange surface) conforms to ISO 9283			
7. Max. painting speed	1,500 mm/s (at the center of tool mounting surface)			
8. Axis specification	Operating axis		Motion range	
	Arm rotation (JT1)	KJ264C-B□	±120°	
		KJ264C-D□	+ 120° - - 30°	
		KJ264C-F□	+ 30° - - 120°	
		KJ264C-H□	±120°	
	Arm out-in (JT2)	+ 130° - - 80°		
	Arm up-down (JT3)	+ 90° - - 65°		
	Wrist swivel (JT4)	±720°		
Wrist bend (JT5)	±720°			
Wrist twist (JT6)	±410°			
9. Load capacity of wrist	Max. torque		Moment of inertia*	
	JT4	56.2 N·m	2.19 kg·m <sup>2</sup>	
	JT5	43.4 N·m	1.31 kg·m <sup>2</sup>	
	JT6	22.0 N·m	0.33 kg·m <sup>2</sup>	
	Note * Each value in this table shows allowable moment of inertia of JT4/JT5/JT6 when max. allowed torque is applied to each axis. If more detailed data is required for your application, please contact Kawasaki.			
10. Mass	KJ264C-B□		540 kg (without options)	
	KJ264C-D□, -F□, -H□		530 kg (without options)	
11. Mounting	KJ264C-B□(Floor)		KJ264C-D□(Mounting wall is left side)	
	KJ264C-F□(Mounting wall is right side)		KJ264C-H□(Shelf)	
12. Installation Environment	Ambient Temperature :		0 - 40 °C	
	Relative Humidity :		35 - 85 % (with no dew condensation)	
13. Color	Munsell 10GY9/1 equivalent			
14. Explosion proof	Pressurized and intrinsically safe			
15. Air supply to the manipulator	Clean & dry air	0.5 Nm <sup>3</sup> /min, 0.4 - 0.7 MPa		
	Dew point	- 17 or less at atmospheric pressure		
	Solid material	0.01 μm or less		
	Oil content	Mist separation 99.9999% or more		
16. Options	Mechanical stopper	Adjustable stoppers JT1/JT2/JT3		
	Painting equipment	FGP motor (1 unit can be equipped with)		
		Solenoid valve for painting (up to 3 units can be equipped with)		
		Electro pneumatic converter for painting (up to 3 units can be equipped with)		
	Upper Arm Cover			
	Application hose protection unit			

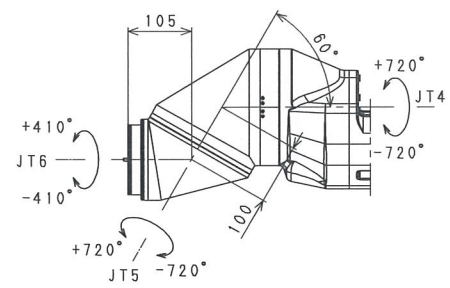
Consult Kawasaki about maintenance parts and spare parts.



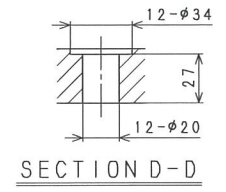
VIEW B



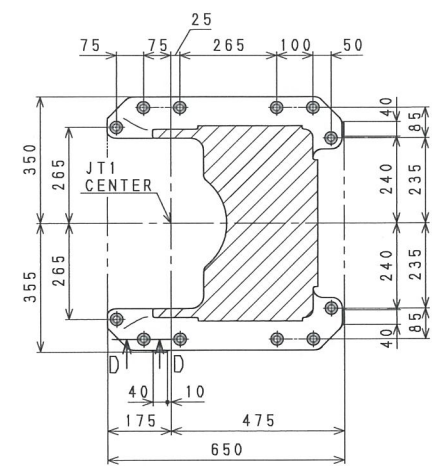
SECTION C-C



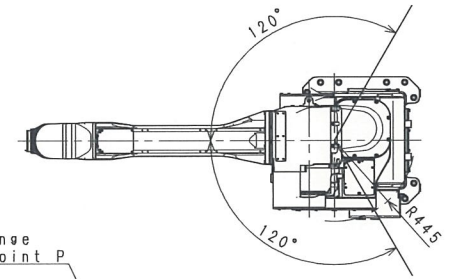
DETAIL A



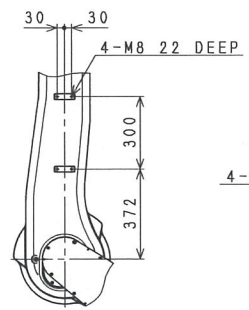
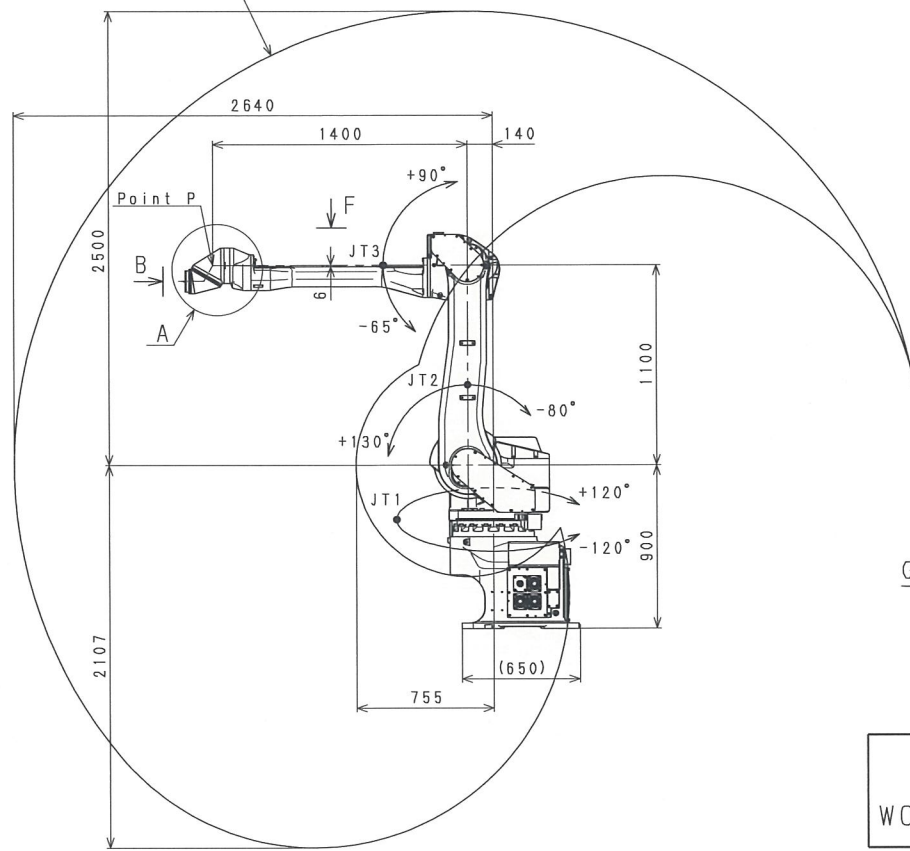
SECTION D-D



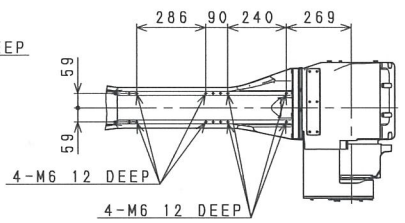
Base Installation Dimensions



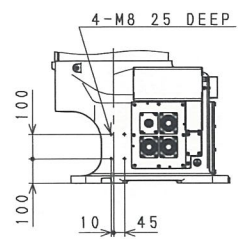
Working range based on point P



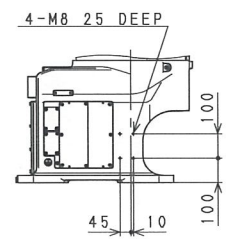
VIEW E



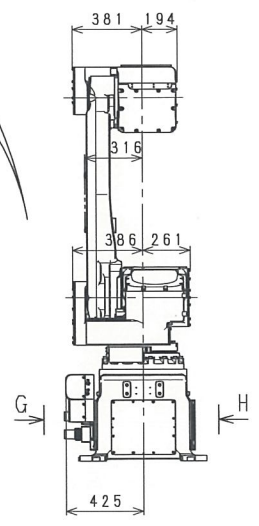
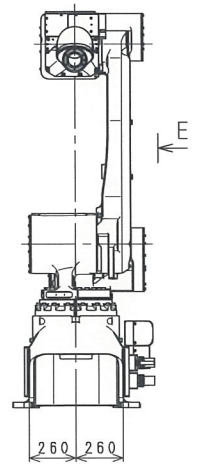
VIEW F



VIEW G

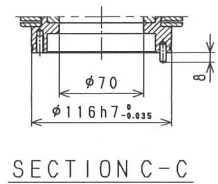


VIEW H

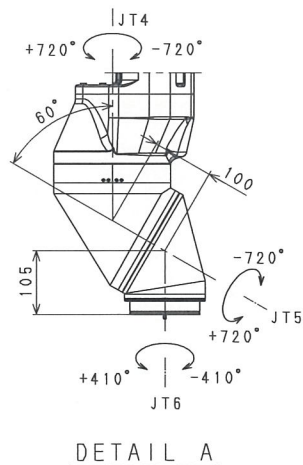


KJ264C-B0  
WORKING RANGE

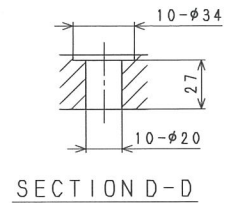




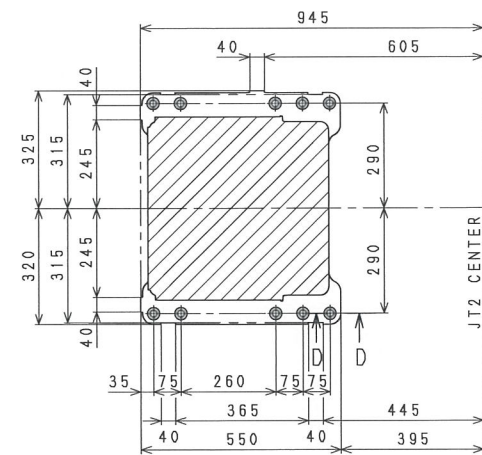
SECTION C-C



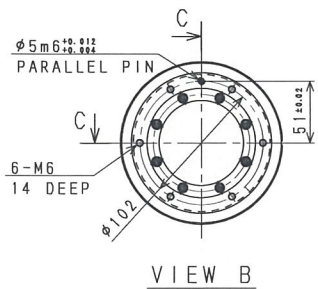
DETAIL A



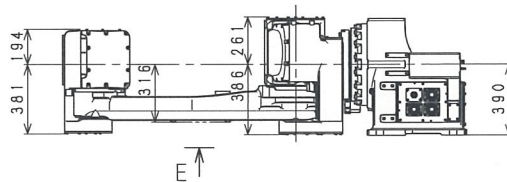
SECTION D-D



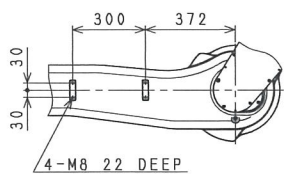
Base Installation Dimensions



VIEW B

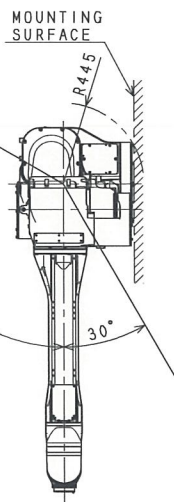


VIEW E

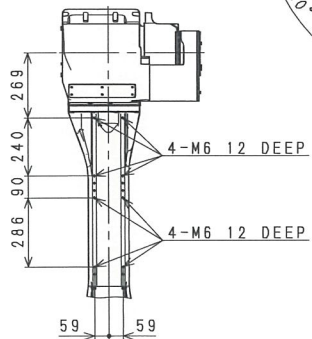


VIEW E

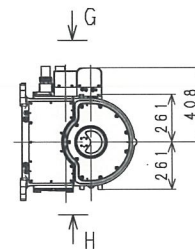
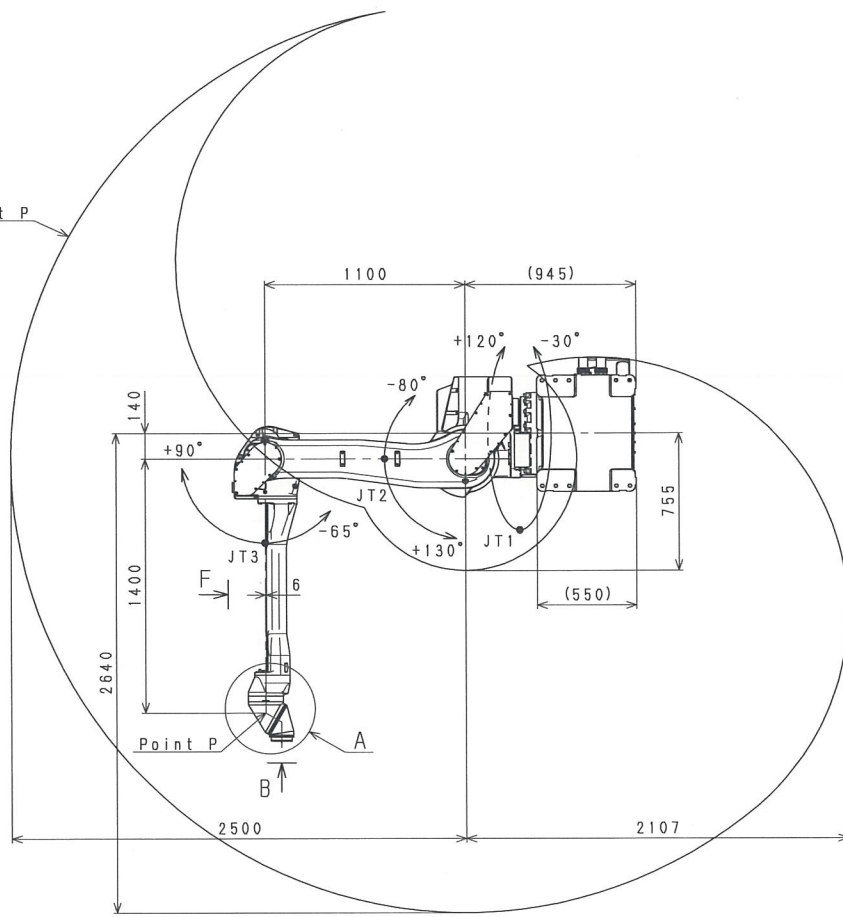
Working range based on point P



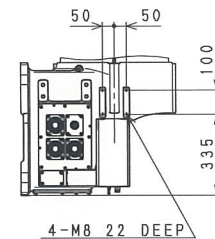
MOUNTING SURFACE



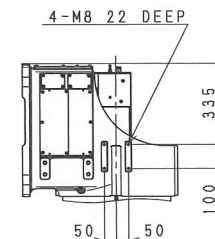
VIEW F



VIEW G

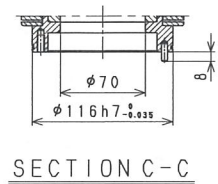


VIEW G

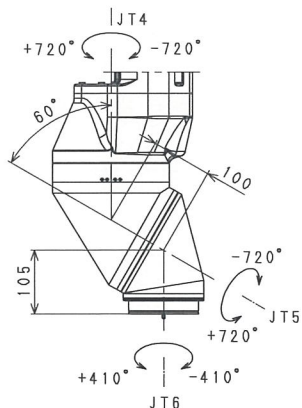


VIEW H

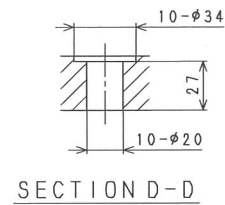
KJ264C-D0  
WORKING RANGE



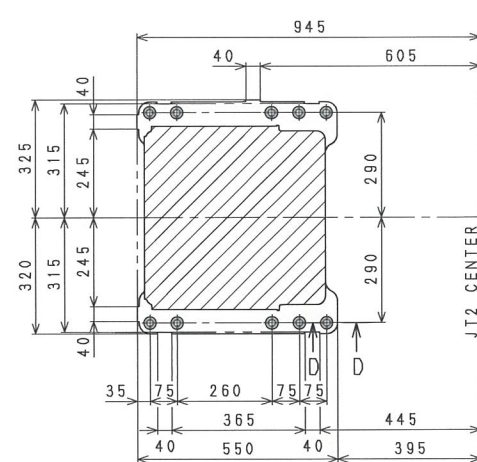
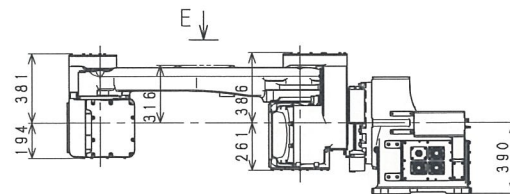
SECTION C-C



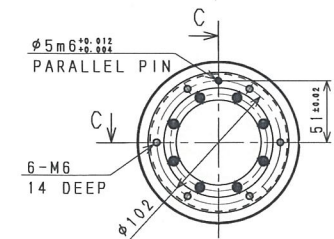
DETAIL A



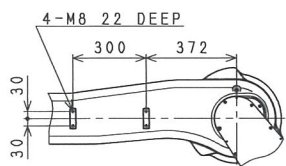
SECTION D-D



Base Installation Dimensions



VIEW B



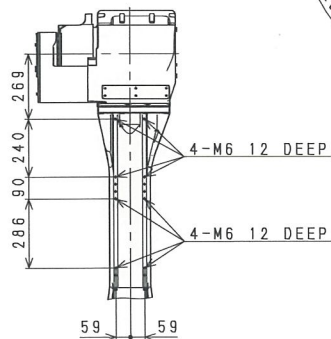
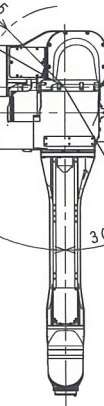
VIEW E

Working range based on point P

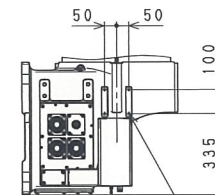
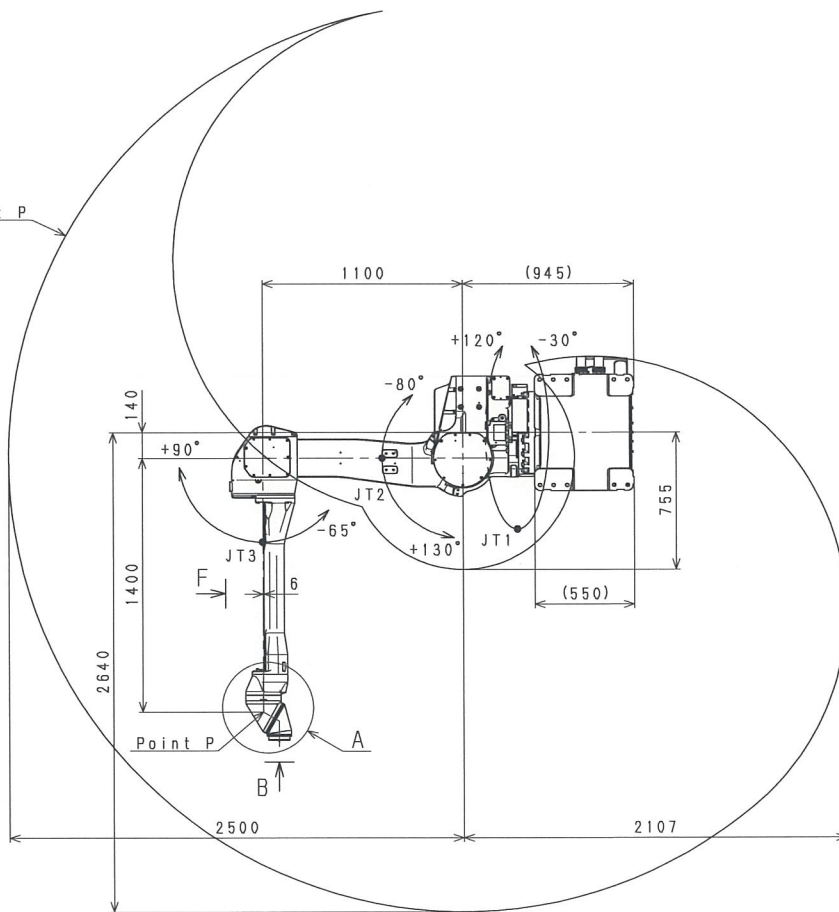
MOUNTING SURFACE

R4.45

120°

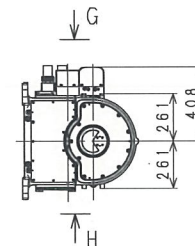


VIEW F

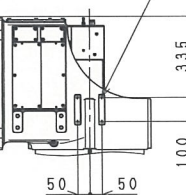


4-M8 22 DEEP

VIEW G



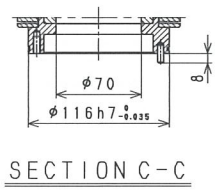
4-M8 22 DEEP



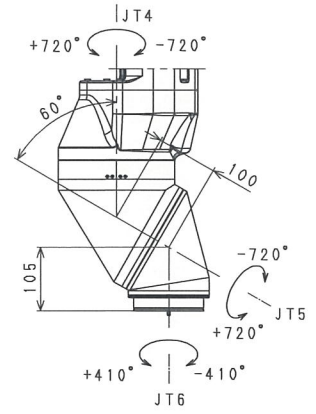
VIEW H

KJ264C-D1  
WORKING RANGE

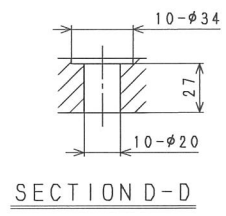




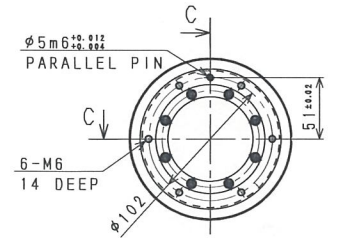
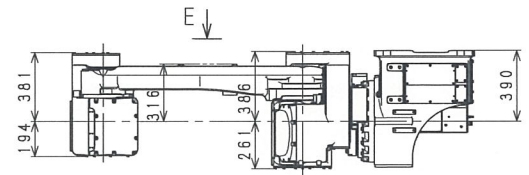
SECTION C-C



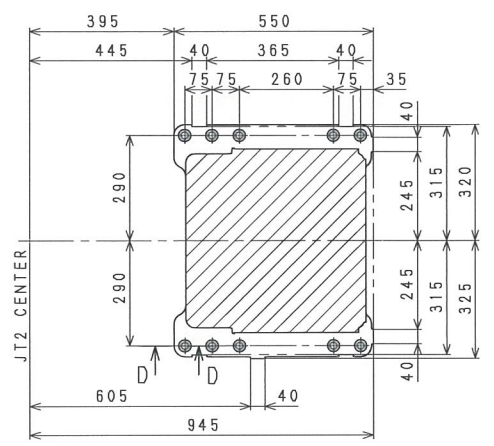
DETAIL A



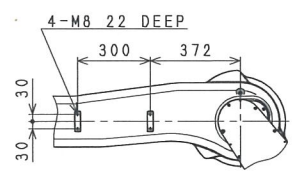
SECTION D-D



VIEW B

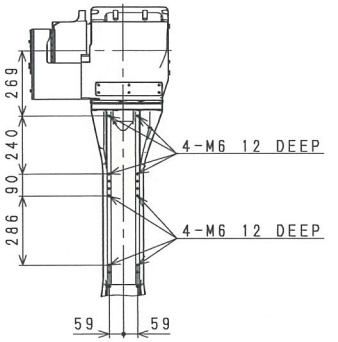
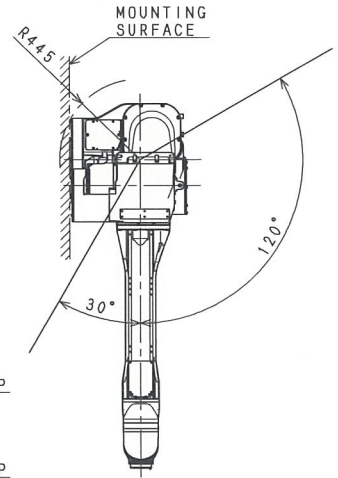


Base Installation Dimensions

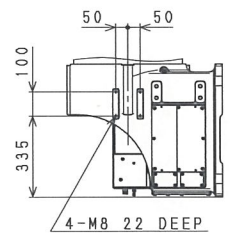
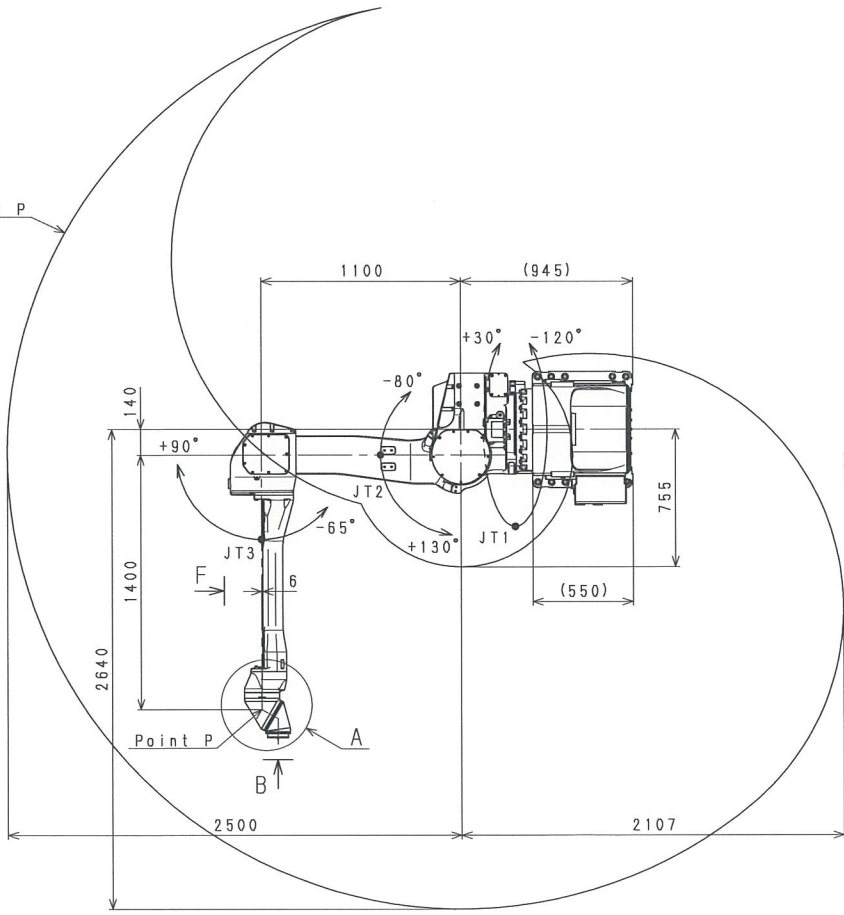


VIEW E

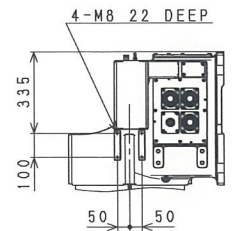
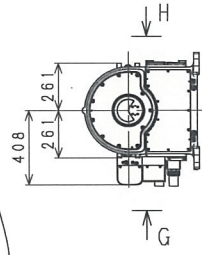
Working range based on point P



VIEW F



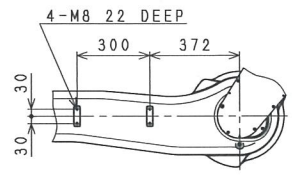
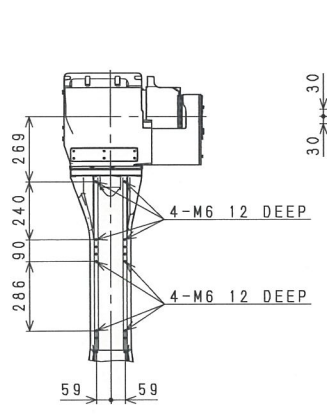
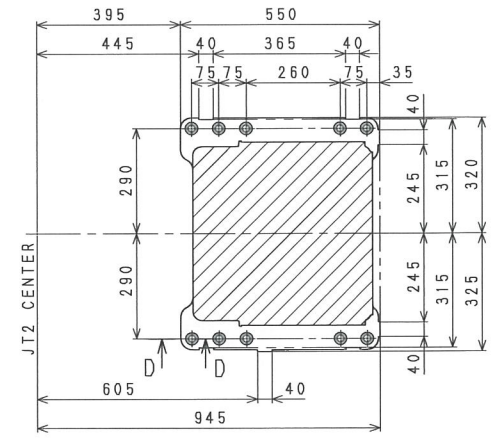
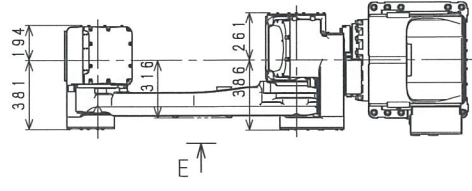
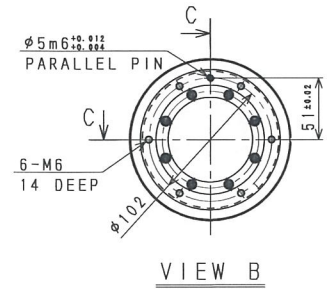
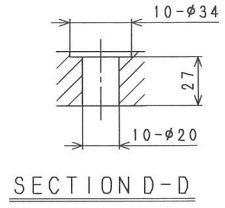
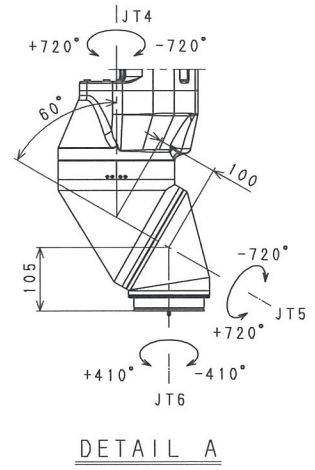
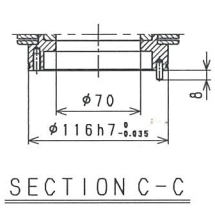
VIEW H



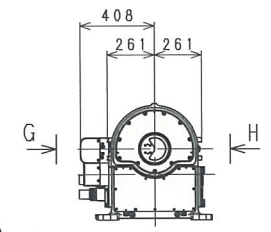
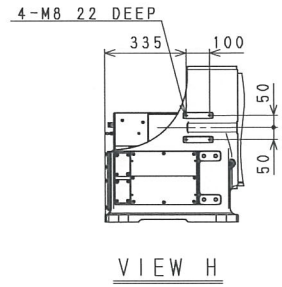
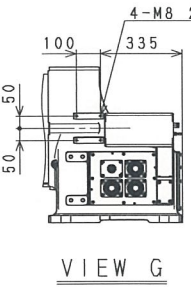
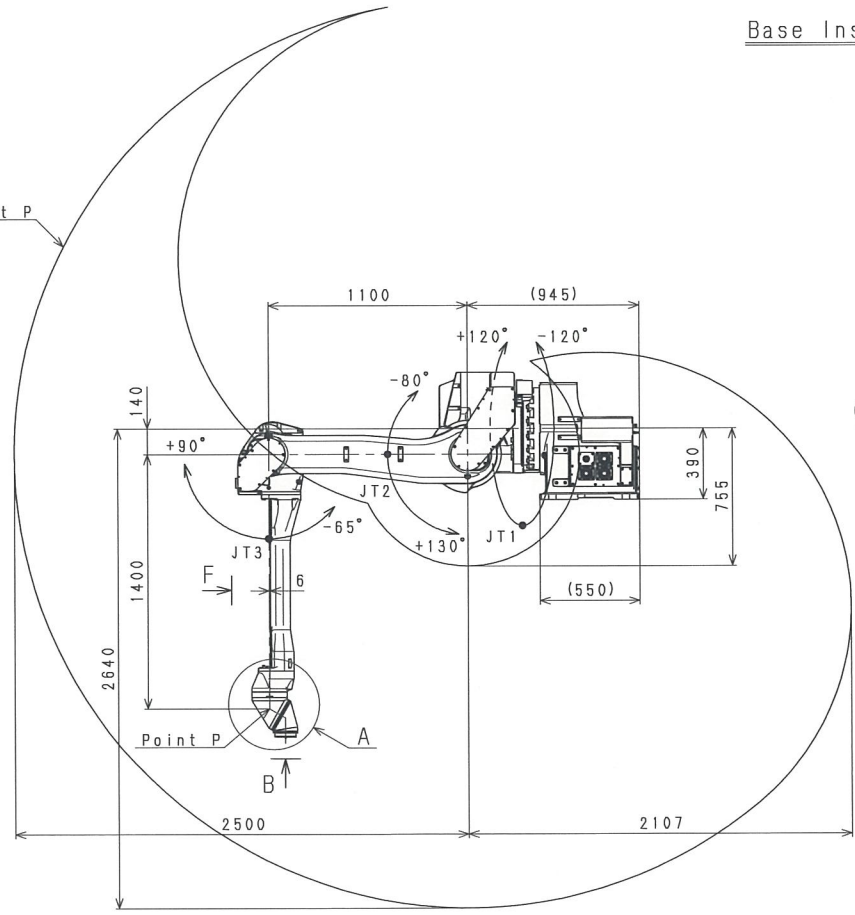
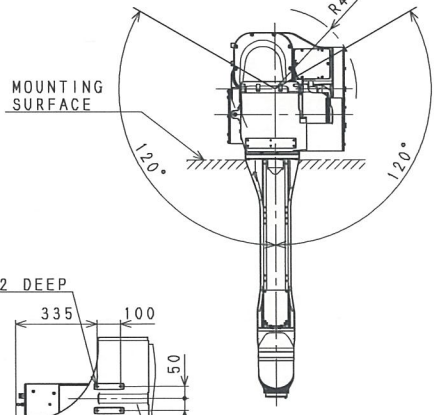
VIEW G

KJ264C-F1  
WORKING RANGE

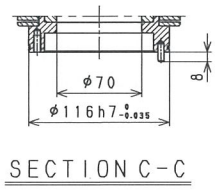




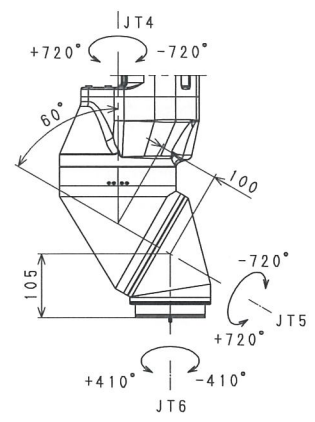
Working range based on point P



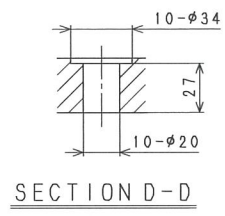
KJ264C-H0  
WORKING RANGE



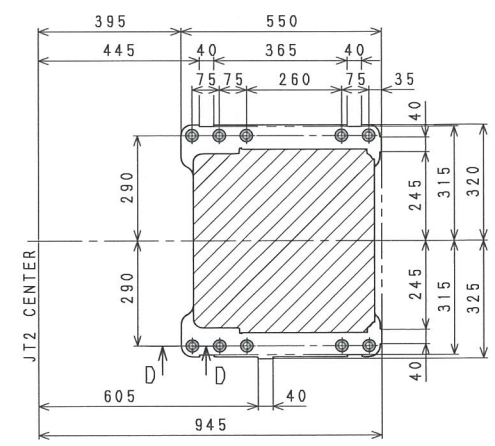
SECTION C-C



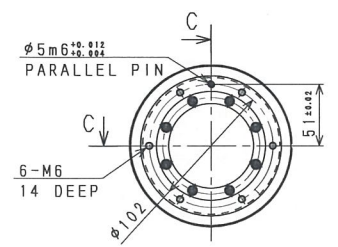
DETAIL A



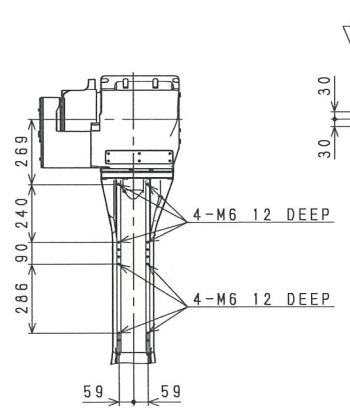
SECTION D-D



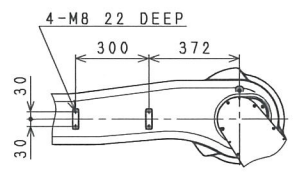
Base Installation Dimensions



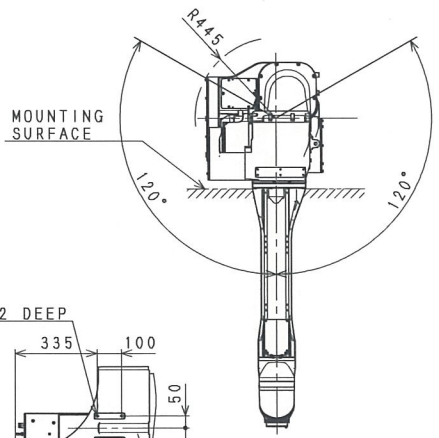
VIEW B



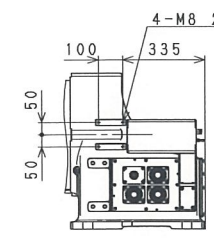
VIEW F



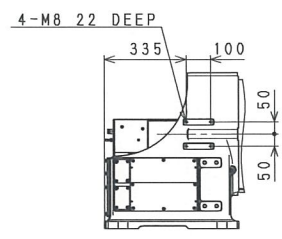
VIEW E



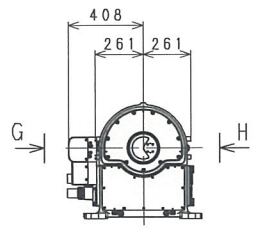
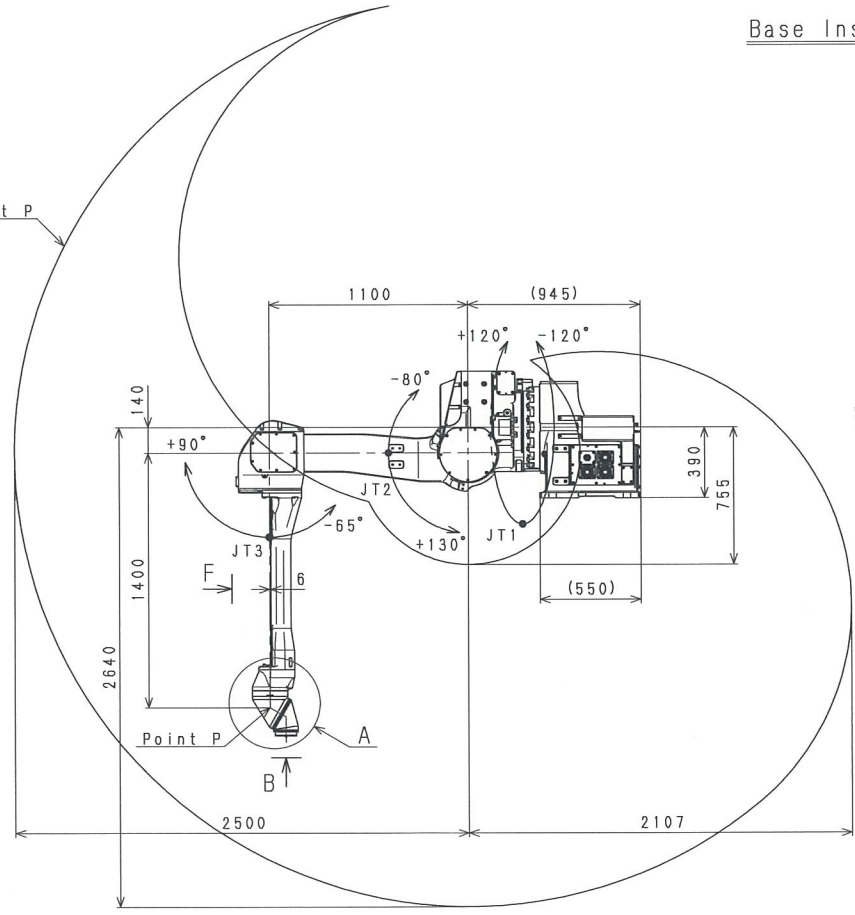
VIEW H



VIEW G



Working range based on point P



KJ264C-H1  
WORKING RANGE