

Kawasaki Heavy Industries, Ltd

Robot Business Division

Tokyo Head Office/Robot Division

1-14-5, Kaigan, Minato-ku, Tokyo 105-8315, Japan
Phone: +81-3-3435-2501 Fax: +81-3-3437-9880

Akashi Works/Robot Division

1-1, Kawasaki-cho, Akashi, Hyogo 673-8666, Japan
Phone: +81-78-921-2946 Fax: +81-78-923-6548

Nishi-Kobe Works/Robot Division

234, Matsumoto, Hasetani-cho, Nishi-ku, Kobe, Hyogo 651-2239, Japan
Phone: +81-78-915-8247 Fax: +81-78-915-8239

Kawasaki Robotics website

<https://robotics.kawasaki.com/>



Kawasaki Robotics brand site XYZ

<https://robotics.kawasaki.com/ja1/xyz/en/>



Kawasaki Robostage (showroom)

<https://robotics.kawasaki.com/ja1/robostage/en.html>



Global Network

Kawasaki Robotics (USA), Inc.

28140 Lakeview Drive, Wixom, MI 48393, U.S.A.
Phone: +1-248-446-4100 Fax: +1-248-446-4200

Kawasaki Robotics (UK) Ltd.

Unit 4 Easter Court, Europa Boulevard, Westbrook
Warrington Cheshire, WA5 7ZB, United Kingdom
Phone: +44-1925-71-3000 Fax: +44-1925-71-3001

Kawasaki Robotics GmbH

Im Taubental 32, 41468 Neuss, Germany
Phone: +49-2131-34260 Fax: +49-2131-3426-22

Kawasaki Robotics Korea, Ltd.

43, Namdong-daero 215beon-gil, Namdong-gu, Incheon,
21633, Korea
Phone: +82-32-821-6941 Fax: +82-32-821-6947

Kawasaki Robotics (Tianjin) Co., Ltd.

1-2/F, Building 6, No.19 Xinhuan Road, TEDA, China
Phone: +86-22-5983-1888 Fax: +86-22-5983-1889

Taiwan Kawasaki Robot Center

3F, No.31, Ln.216, Gongyuan Rd., Hsinchu City
30069, Taiwan(R.O.C)
Phone: +886-3-562-0518

Kawasaki Motors Enterprise (Thailand) Co., Ltd.

(Rayong Robot Center)
119/10 Moo 4 T.Pluak Daeng, A.Pluak Daeng, Rayong 21140
Thailand
Phone: +66-38-955-040-58 Fax: +66-38-955-145

Singapore Kawasaki Robot Center

100G Pasir Panjang Road #06-10
Singapore 118523
Phone: +65-6513-3145

Kawasaki Heavy Industries (India) Pvt. Ltd.

Robot Division
Plot No. 136, Sector-37, Pace City 1,
Gurgaon, 122101 Haryana, India
Phone: +91-124-437-1845



CAUTIONS TO BE TAKEN TO ENSURE SAFETY

- For those persons involved with the operation / service of your system, including Kawasaki Robot, they must strictly observe all safety regulations at all times. They should carefully read the Manuals and other related safety documents.
- Products described in this catalogue are general industrial robots. Therefore, if a customer wishes to use the Robot for special purposes, which might endanger operators or if the Robot has any problems, please contact us. We will be pleased to help you.
- Be careful as Photographs illustrated in this catalogue are frequently taken after removing safety fences and other safety devices stipulated in the safety regulations from the Robot operation system.



ISO certified in Akashi Works and Nishi-Kobe Works.

Kawasaki Robot

Dual-arm Collaborative Robots

Small-to-medium robots
up to 80kg payload

Large robots
up to 300kg payload

Extra large robots
up to 1,500kg payload

Dual-arm Collaborative robots

Explosion-proof painting robots

Sealing robots

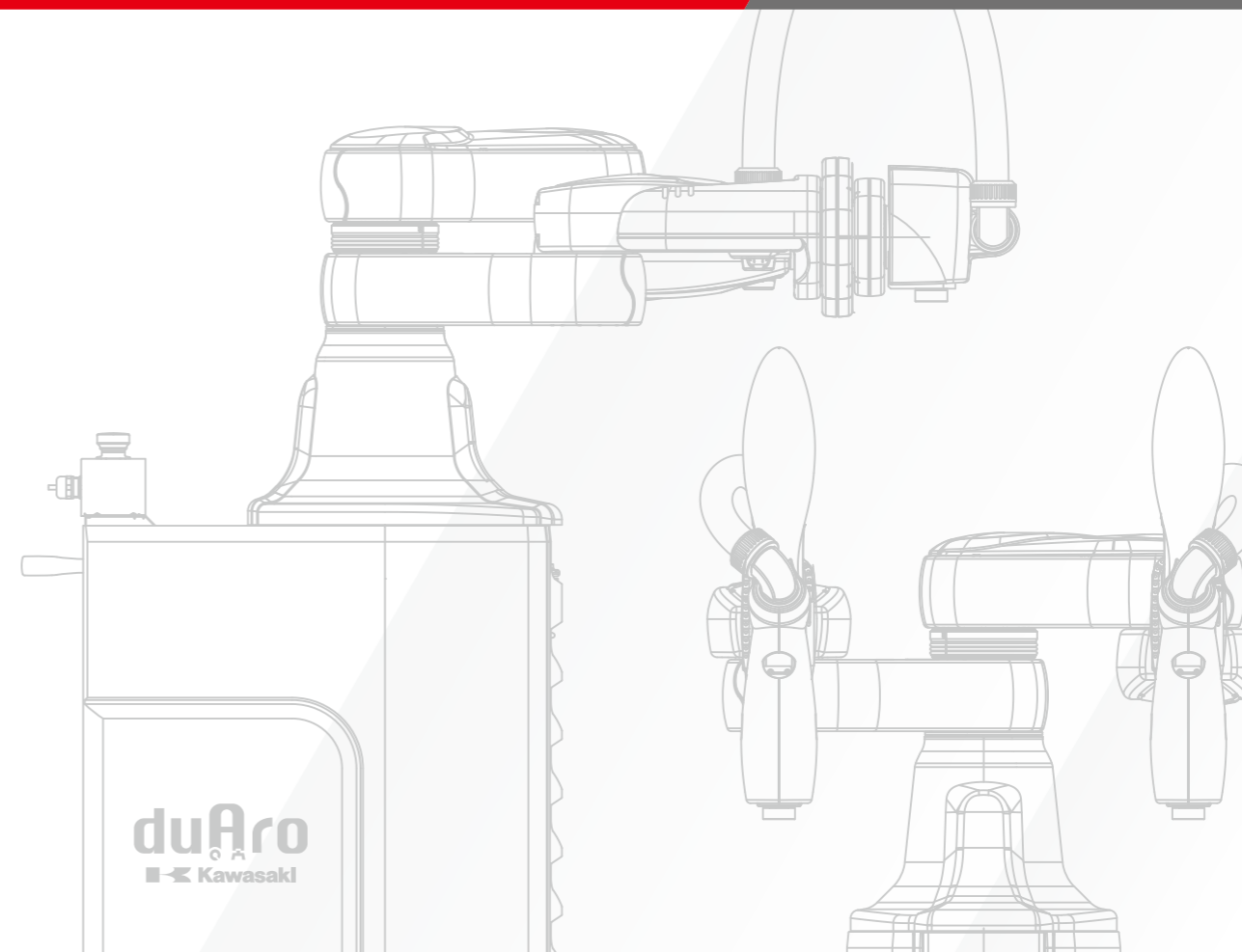
Arc welding robots

Palletizing robots

Medical & pharmaceutical robots

Picking robots

Wafer transfer robots



Dual-arm Collaborative Robots

Kawasaki's original collaborative duAro is a dual-arm type robot. The collaborative robot enables humans and robots to work together in the same workspace without safety fences. Kawasaki offers simple and easy-to-install robots for diverse applications.

duAro series



duAro 1



duAro 2

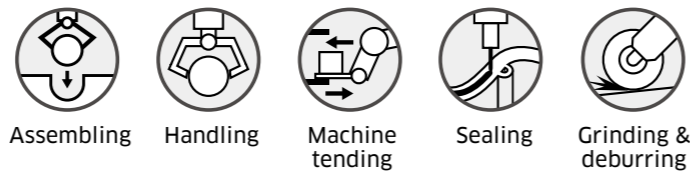


Features

- Space-saving without safety fences.*
- With its two arms, duAro can perform as efficient tasks as human workers.
- Easy programming using a tablet and the direct teaching function.

*: Users are required to carry out a safety risk assessment before use.

Applications

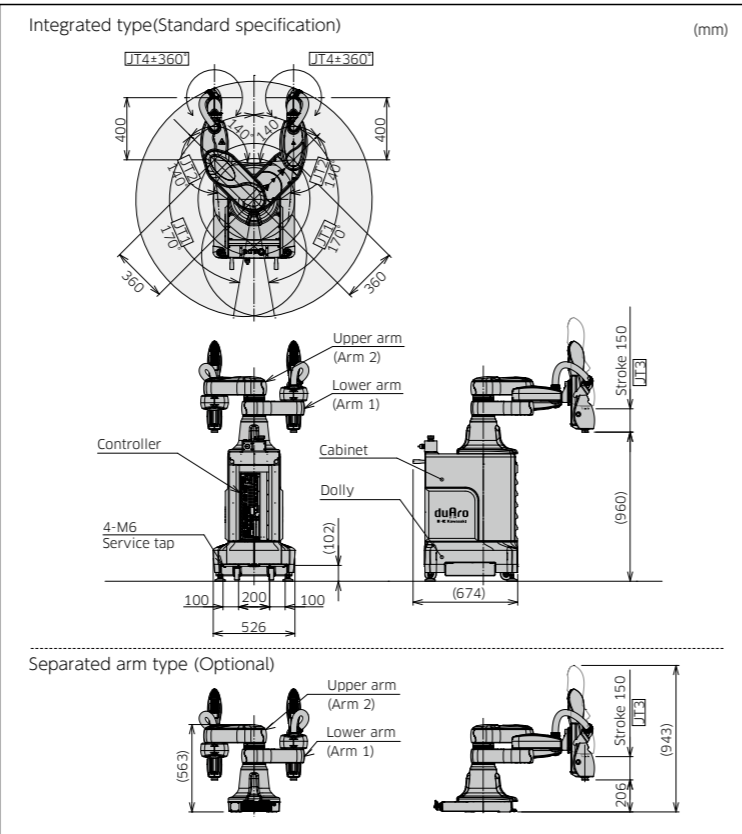


duAro 1

Standard Specifications

Type	Articulated robot	
Degree of freedom (axes)	4 × 2 arms	
Payload (kg)	2 × 2 arms	
Max. reach (mm)	760	
Position repeatability (mm)	±0.05	
Motion range	Arm 1 (lower arm)	Arm 2 (upper arm)
	Arm rotation (°)	±170 (JT1) -140 - +500 (JT2)
	Arm up-down*1 (mm)	0 - +150 (JT3) 0 - +150 (JT4)
Allowable moment (N·m)	Wrist axis (JT4)	3.9
	Wrist axis (JT4)	0.086
Mass (kg)	Approx. 210 (including controller. Excluding options)	
Mounting	Floor	
Installation environment	Ambient temperature (°C)	5 - 40
	Relative humidity (%)	35 - 85 (No dew, nor frost allowed)
Controller/Power requirements	F61/2.0kVA	

*1: Specification varies in case of other options or conversion



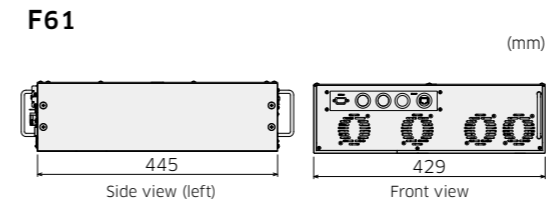
F61

Standard Specifications

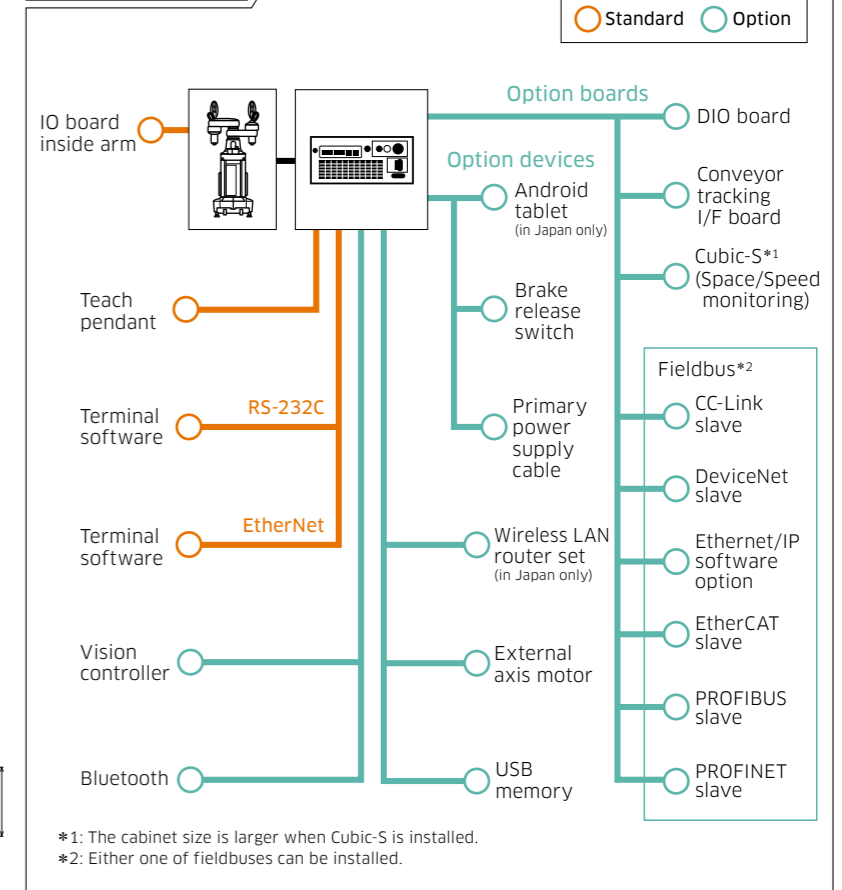
Dimensions (mm)	W429×D445×H130	
Type	Enclosed structure	
Controlled (axes)	8	
Memory capacity (MB)	16	
I/O signals	Input (Channels)	16
	Output (Channels)	16
Power requirements	AC200-230V ±10%, 50/60Hz ±2%, Single phase, Max. 2.0kVA	
	Class D (Category3) earth connection, Smaller than 100 Ω (robot-dedicated earth), leakage current 10mA	
Installation environment	Ambient temperature (°C)	0 - 40*1
	Relative humidity (%)	35 - 85 (No dew, nor frost allowed)*1
Operation panel	Manual-auto switch, Start-stop switch, E-stop switch	

*1: Please contact Kawasaki for usage specified other than the above.

External view and dimensions



System configuration



duAro 2

Standard Specifications

Type	Articulated robot	
Degree of freedom (axes)	4 × 2 arms	
Payload (kg)	3 × 2 arms	
Max. reach (mm)	785	
Position repeatability (mm)	±0.05	
Motion range	Arm 1 (lower arm)	Arm 2 (upper arm)
	Arm rotation (°)	±170 (JT1) -140 - +500 (JT2)
	Arm up-down*1 (mm)	0 - +550 (JT3) 0 - +550 (JT4)
Allowable moment (N·m)	Wrist axis (JT4)	3.9
	Wrist axis (JT4)	0.086
Mass (kg)	Approx. 220 (including controller. Excluding options)	
Mounting	Floor	
Installation environment	Ambient temperature (°C)	5 - 40
	Relative humidity (%)	35 - 85 (No dew, nor frost allowed)
Controller/Power requirements	F61/2.0kVA	

*1: Specification varies in case of other options or conversion

